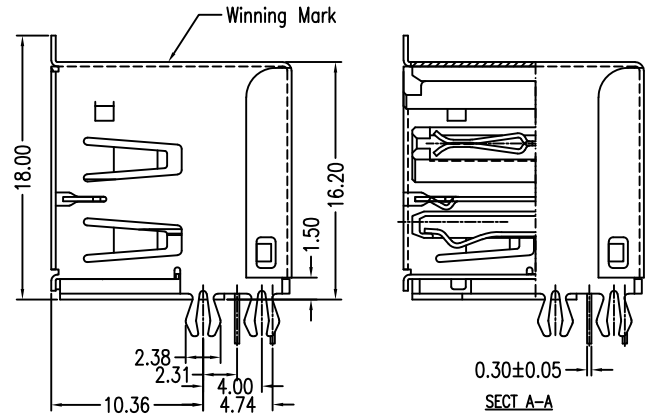
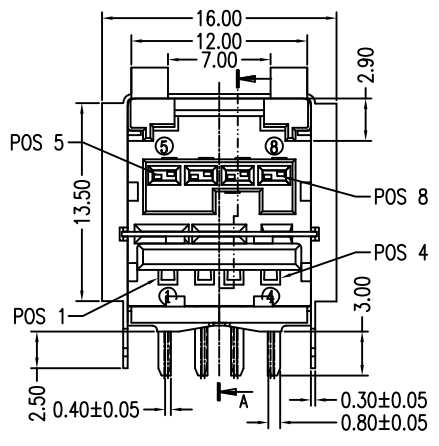


REV.	DESCRIPTION	DATE
A	RELEASED	11/30-'02
Y	1.Delete 5V Spec 2.Add Shell Material and Modify View	04/11-'22
Z	Modify Dimension	09/25-'23



Pin Number	Signal Name
1	VBUS
2	D-
3	D+
4	GND
5	GND
6	VPLUS
7	VPLUS
8	GND

**NOTES:**

**\*Material**

Housing: Nylon66, UL 94V-0.  
 Contact: Phosphor Bronze.  
 Contacts Plating: Au plating on contact area.  
 Sn(100u" Min.)Plating on Solder Tail.  
 Ni(50u" Min.) underplating over all.  
 Shell(Outside): Brass.  
 Contacts Plating: Ni(40u" Min.) Plating Overall.  
 Shrapnel: Brass.  
 Contacts Plating: Ni(50u" Min.) Plating Overall.

**\*Mechanical**

Insertion Force: 35N Max.  
 Extraction Force: 10N Min.  
 Durability: 1500 cycles.

**\*Electrical Specification**

Current Rating: 3.0A at Power, 1.5A at USB.  
 Contact Resistance: 30mΩ Max.  
 Insulation Resistance: 1000 MΩ Min .  
 Dielectric Withstanding Voltage: 500V AC .

**\*Environmental**

Operating Temperature: -55°C to +85°C

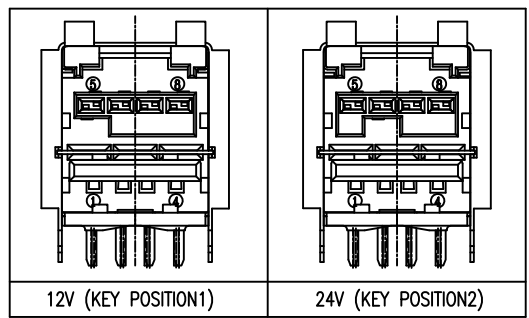
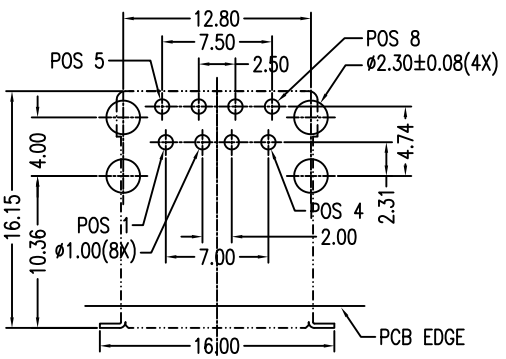
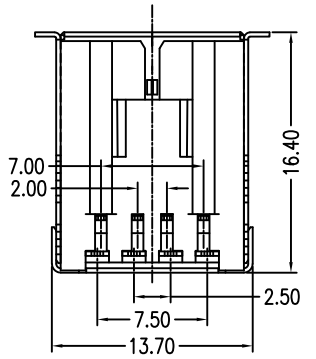
**\*How to Order:**

WUPO-812FN7B1UW

- W: Winning Mark Blank: No Mark
- U: Lead Free
- 1: With Ear
- B: Brass
- 6: Red(187C)(24V)
- 7: Green(5483C)(12V)
- N: Nylon66
- Gold: F: 30u"
- 12: 12V 24: 24V
- NO. of Contacts
- Series NO.

Add Form:

PRODUCT NUMBER	VOLTAGE	DESCRIPTION	HOUSING COLOR
WUPO-812FN7B1U*	12V	POSITION 1	Green(5483C)
WUPO-824FN6B1U*	24V	POSITION 2	Red(187C)



REV Modify Dimension: 2.70 → 2.90, 17.80 → 18.00, 16.00 → 16.20, 1.30 → 1.50.

Units	mm	Scale	2:1	Drawing By	Date	WIN WIN PRECISION IND. CO., LTD.	
Tolerance Unless Otherwise Specified				Wwy	9/25-'23	TEL: 886-2-22994155 FAX: 886-2-22994157	
.X ~ ±0.35				Reviewed By	Date	Date	Title USB+POWER PLUG(WITH EAR)
.XX ~ ±0.25				Charles	9/26-'23	09/25-'23	
.XXX ~ ±0.15				Approval By	Date	Sheet	
Angle ~ ± 3°				Nancy	9/27-'23	1 of 1	Title
Third Angle Projection						Third Angle Projection	Drawing No.
						WUPO-008MS-AN-W068	REV Z