

REV.	ECN.NO.	DATE
A	RELEASED	07/09-'03
B	Revise Part NO.	11/01-'05
C	Modify Dimension	07/14-'17

NOTES:

***Material**

Housing: Nylon66 UL 94V-2 rated;
or Nylon46 UL 94V-0 rated;
Color: Black;White;Transparent

Contact: Brass

Plating: Sn(100u"min) Plating over all, Ni(40u"min)
underplating over all.

***Electrical Specification**

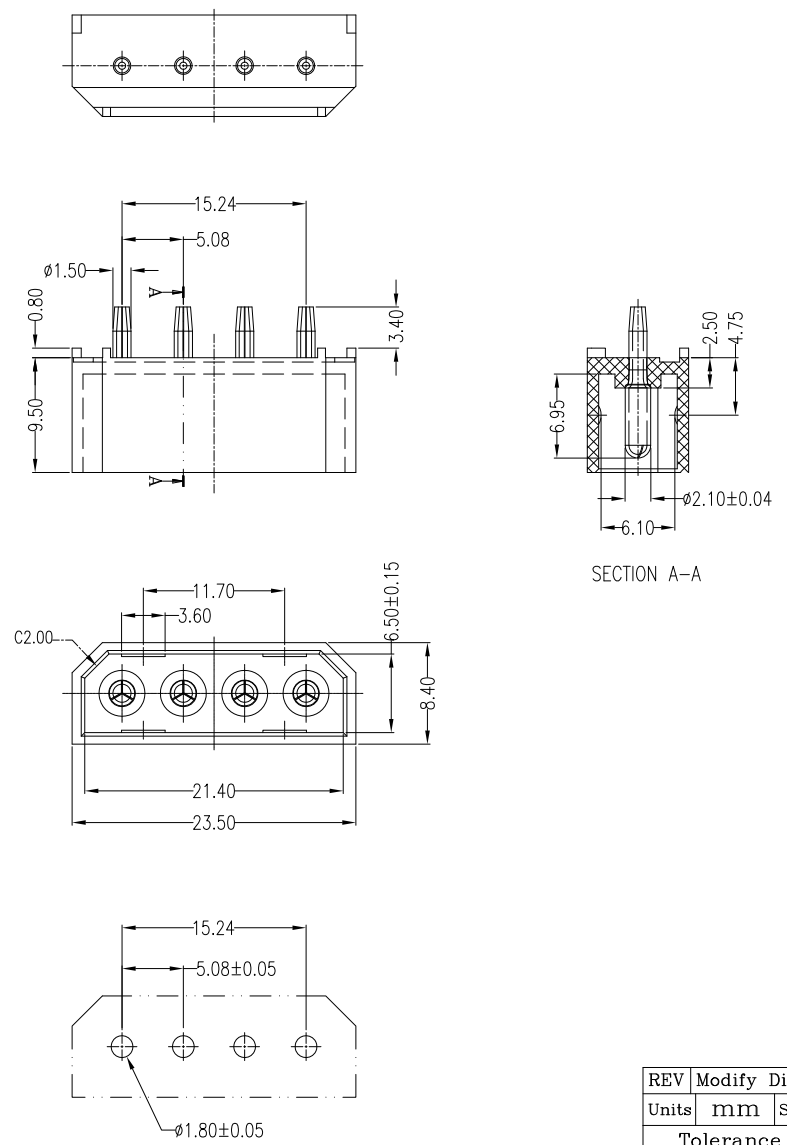
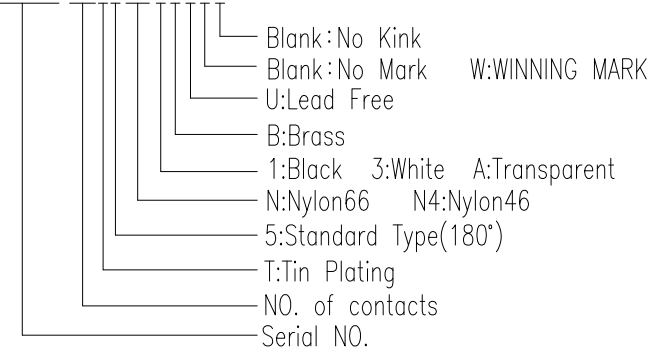
Operation Voltage: 250V AC max.
Current Rating: 5 Ampere per contact
Contact Resistance:10 Milliohms max.
Insulation Resistance:1000 Megohms min.
Dielectric Withstanding Voltage:1500V AC

***Environmental**

Operating Temperature: -40°C to +80°C

***How to Order:**

WPOD-04T5N43BU



SECTION A-A

P.C.B. Layout
COMPONENT SIDE

REV		Modify Dimension: $\phi 2.10 \pm 0.04$		Drawing By		Date		WIN WIN PRECISION IND. CO., LTD.						
Units	mm	Scale	1.5: 1	Lulu		07/19-'17				TEL: 886-2-22994155 FAX: 886-2-22994157				
Tolerance Unless Otherwise Specified				Reviewed By		Date	07/14-'17	Date	07/14-'17	Sheet	1 of 1	Title	Power 4P Connector Standard Type 180°	
.X	~ ±0.35		Rosh		07/19-'17									
.XX	~ ±0.25		Approval By		Date	07/19-'17	Third Angle Projection							
.XXX	~ ±0.15		Roger		07/19-'17									
Angle	~ ± 3°										Drawing No.	WPOD-04MS-AN-N080	REV	C