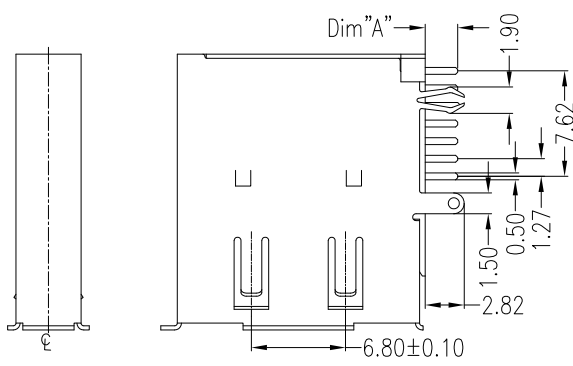


REV.	ECN.NO.	DATE
A	RELEASED	04/28-'06
H	Modify Specification	11/25-'20
I	Delete Stop Production Spec	08/04-'21



Signal Name	eSATA
S1	GND
S2	A+
S3	A-
S4	GND
S5	B-
S6	B+
S7	GND

Unit:mm

Standard	Dim A
WAT2R-07D4N46BU	2.35
WAT2R-07D1N46BU	3.10

**NOTES:**

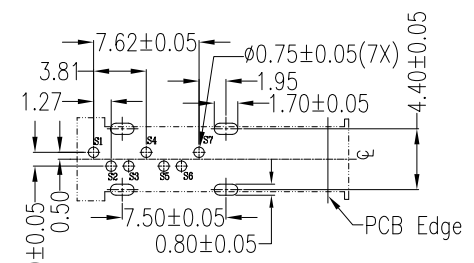
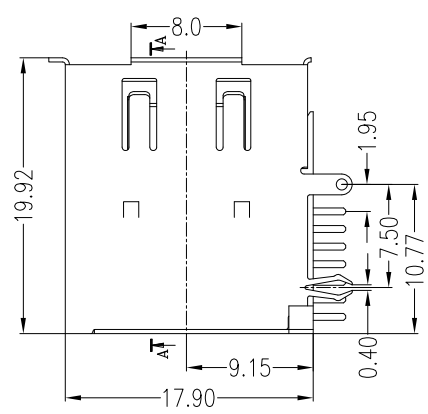
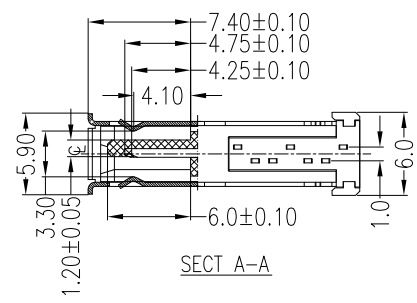
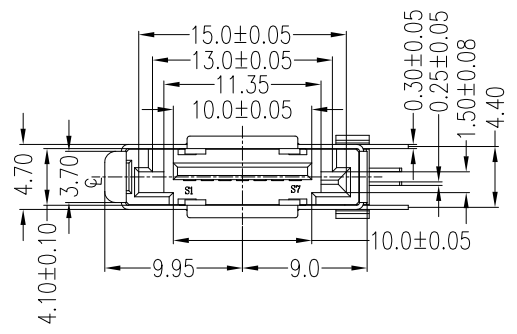
**\*Material**  
Housing: Nylon46,UL 94V-0  
Shell: Brass  
Plating: Ni(50u" Min.) Plating .  
Contact: Brass  
Plating: Au plating on contact area;  
Sn(100u" Min.) plating on solder tail;  
Ni(50u" Min.) underplating overall.

**\*Mechanical**  
Insertion Force: 4.08Kg Max.  
Withdrawal Force: 1.02Kg Min.  
Durability: 2500 Cycles

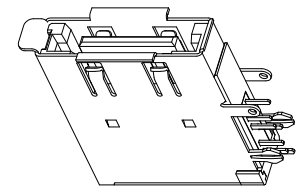
**\*Electrical Specification**  
Current Rating: 1.5 Ampere Per Contact  
Contact Resistance: 30 mΩ Max.  
Insulation Resistance: 1000 MΩ Min.  
Dielectric Withstanding Voltage: 500V AC.

**\*Environmental**  
Operating Temperature : -55°C To +85°C.

**\*How To Order:**  
WAT2R-07D4N46BU  
Blank:No Mark  
U:Lead Free  
B:Brass  
6:Red(187C)  
N4:Nylon46  
1:DIP(3.10mm); 4:DIP(2.35mm)  
Au D:15u"  
Number of contacts  
eSATA Upright Type



P.C.B Layout T=1.60mm  
COMPONENT SIDE



REV	Delete Stop Production Spec			Drawing By	Date	<b>WIN WIN PRECISION IND. CO., LTD.</b> TEL: 886-2-22994155 FAX: 886-2-22994157	Title	eSATA Upright DIP Type Male
Units	mm	Scale	1:1	ZZC	08/04-'21			
Tolerance Unless Otherwise Specified				Reviewed By	Charles	Sheet	1 of 1	
.X	~	±0.35		Approval By	Nancy	Third Angle Projection		
.XX	~	±0.25			08/06-'21			
.XXX	~	±0.15						
Angle	~	± 3°						
Drawing No.		WAT2R-07PS-AN-W199		REV	I			