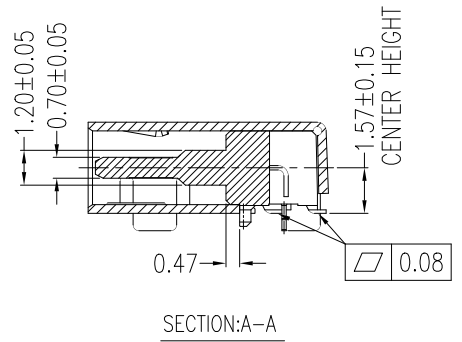
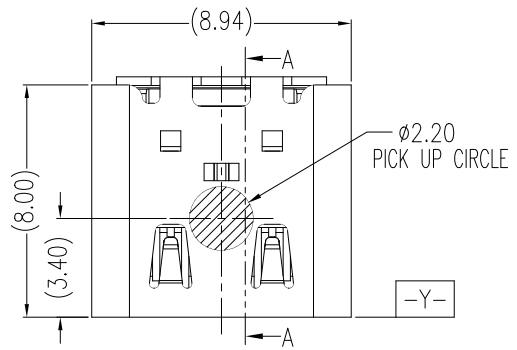


REV.	ECN.NO.	DATE
A	RELEASED	11/25-'21
C	Modify View and Notes	10/11-'23
D	Delete D/C	11/29-'23



PIN ASSIGNMENT:

Pin No.	Signal Name	Pin No.	Signal Name
A1	GND	B12	GND
A2	SSTXp1	B11	SSRXp1
A3	SSTXn1	B10	SSRXn1
A4	VBUS	B9	VBUS
A5	CC1	B8	SBU2
A6	Dp1	B7	Dn2
A7	Dn1	B6	Dp2
A8	SBU1	B5	CC2
A9	VBUS	B4	VBUS
A10	SSRXn2	B3	SSTXn2
A11	SSRXp2	B2	SSTXp2
A12	GND	B1	GND

NOTES:

***Material**
Housing: High temp thermoplastic, UL94V-0.
Contacts: Copper Alloy.
Plating: Au Plating On Contact Area.
Sn(100u" Min.) Plating On Solder Tail.
Ni(50u" Min.) Underplating Overall.
Shell: Stainless steel.
Plating: Ni(50u" Min.) Plated Overall.
Shielding: Stainless steel.
Plating: Ni(50u" Min.) Plated Overall.

***Mechanical**

Insertion Force: 5~20N.
Withdrawal Force: 8~20N.
Durability: 10000 Cycles.

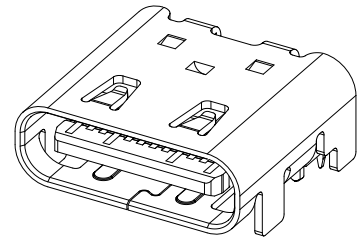
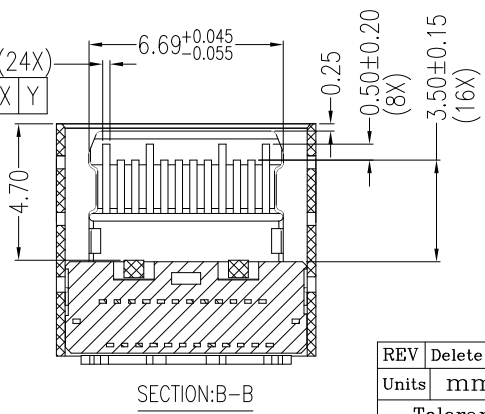
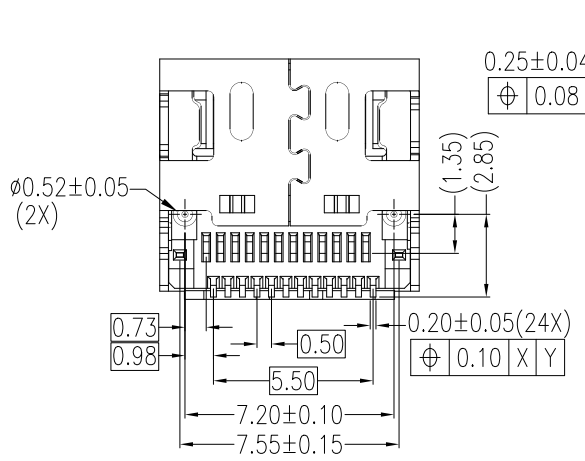
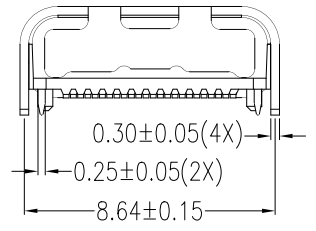
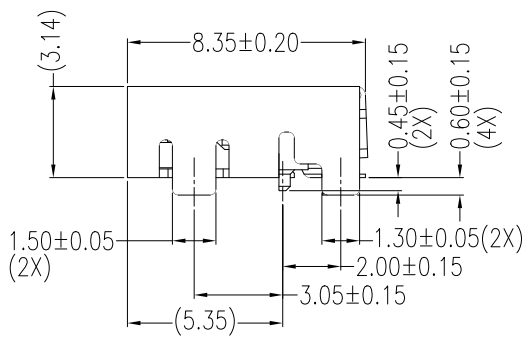
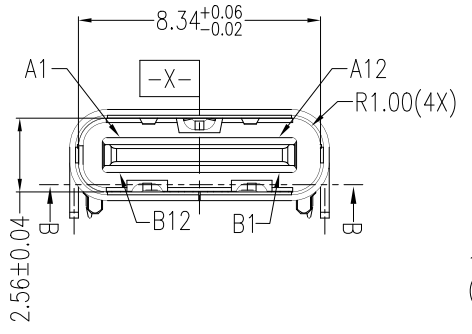
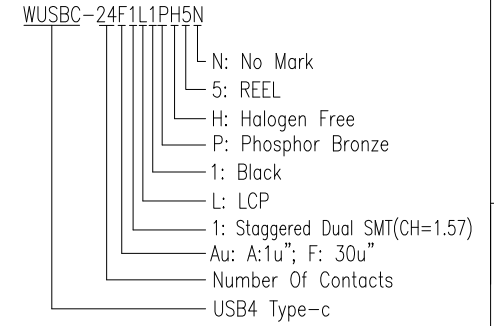
***Electrical Specification**

Current Rating: Vbus pins 5A. CC2 pin 1.25A.
Other pins 0.25A.
Voltage Rating: 20V Max.
Contact Resistance: 40mΩ Max.
Insulation Resistance: 100MΩ Min.
Dielectric Withstanding Voltage: 100V AC Min.

***Environmental**

Operating Temperature: -55°C To +85°C.

***How To Order:**

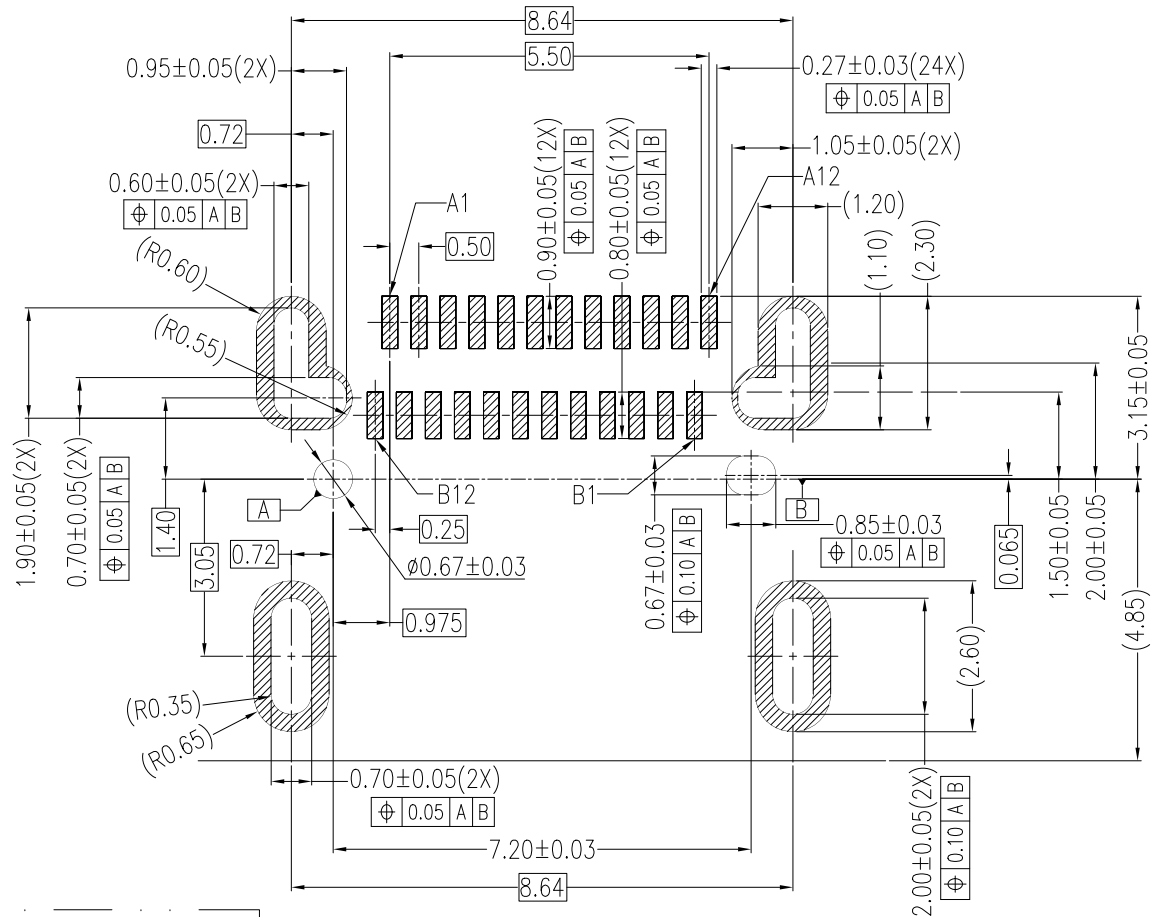


REV Delete D/C.

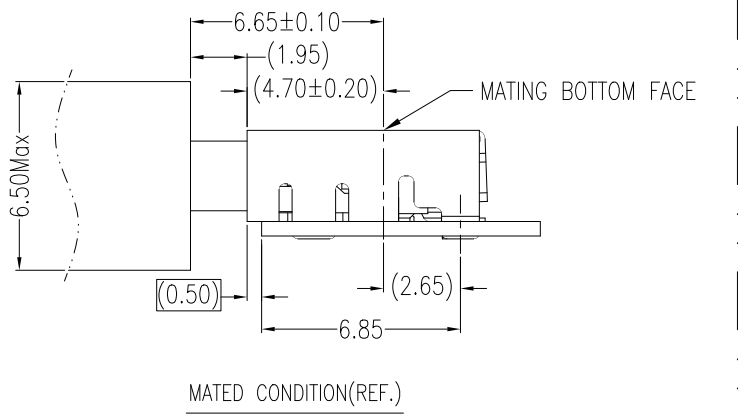
Units	mm	Scale	4:1
Tolerance Unless Otherwise Specified			
.X	~	±0.20	
.XX	~	±0.10	
.XXX	~	±0.05	
Angle	~	± 3°	

WIN WIN WIN WIN PRECISION IND. CO., LTD. TEL: 886-2-22994155 FAX: 886-2-22994157		Title USB4 Staggered Dual SMT (CH=1.57)	
Date 11/29-'23 Sheet 1 of 2 Third Angle Projection	Date 11/29-'23 Reviewed By Charles Date 11/29-'23 Approval By Nancy Date 11/29-'23	Drawing No. WUSBC-24PS-AN-N158 REV D	

REV.	ECN.NO.	DATE
A	RELEASED	11/25-'21
C	Modify View and Notes	10/11-'23
D	Delete D/C	11/29-'23



P.C.B LAYOUT(T=0.80mm)(For PIP)
COMPONENT SIDE



REV	Delete D/C.			Drawing By	Date	WIN WIN PRECISION IND. CO., LTD.		
	Units	mm	Scale	4:1	wwy	11/29-'23	TEL: 886-2-22994155 FAX: 886-2-22994157	
	Tolerance Unless Otherwise Specified				Reviewed By	Date	Date	Title USB4 Staggered Dual SMT (CH=1.57)
	.X	~ ±0.20		Charles	11/29-'23	11/29-'23		
	.XX	~ ±0.10						
	.XXX	~ ±0.05		Approval By	Date	Sheet	2 of 2	
	Angle	~ ± 3°		Nancy	11/29-'23	Third Angle Projection		
	Drawing No.		WUSBC-24PS-AN-N158		REV	D		