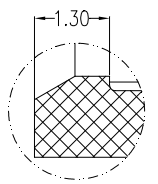
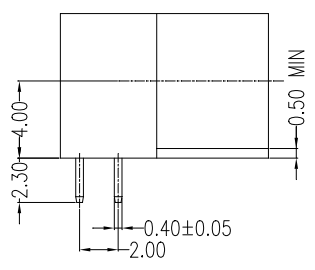
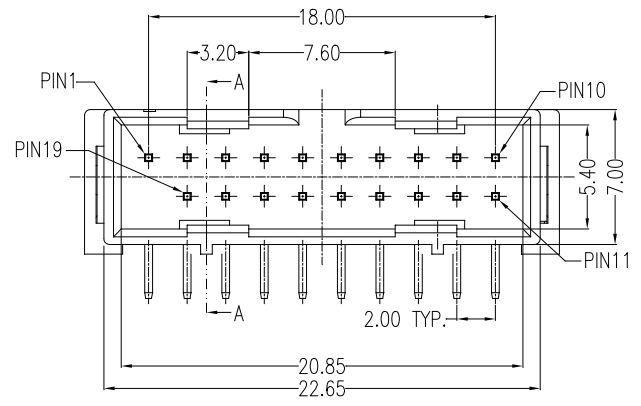
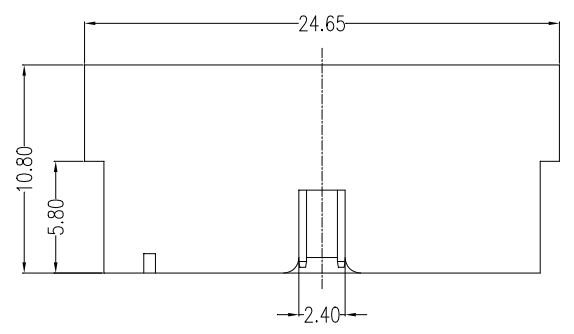
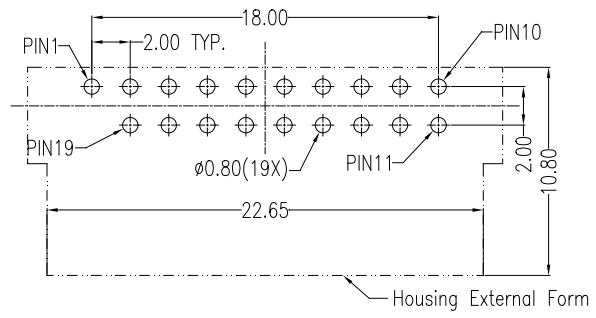
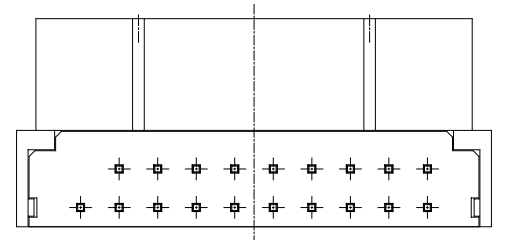


REV.	ECN.NO.	DATE
A	RELEASED	12/13-'10
F	Delete Stop production Spec	06/11-'21
G	Housing Modify 20P to 19P	02/22-'24

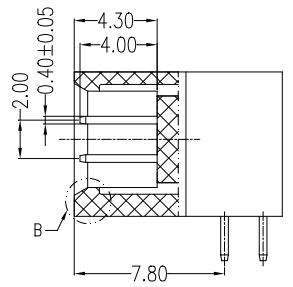


DETAIL B
SCALE 3:1

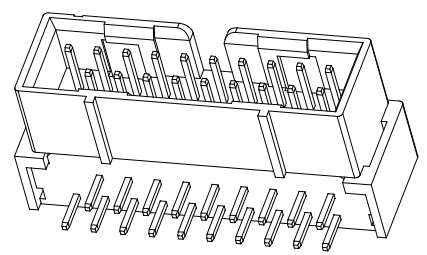


PCB LAYOUT(T=1.60mm)
COMPONENT SIDE

PIN NO.	SIGNAL	DESCRIPTION
1	Vbus	Power
2	IntA_P1_SSRX-	USB 3 ICC Port1 SuperSpeed Rx-
3	IntA_P1_SSRX+	USB 3 ICC Port1 SuperSpeed Rx+
4	GND	GND
5	IntA_P1_SSTX-	USB 3 ICC Port1 SuperSpeed Tx-
6	IntA_P1_SSTX+	USB 3 ICC Port1 SuperSpeed Tx+
7	GND	GND
8	IntA_P1_D-	USB 3 ICC Port1 D-(USB2 Signal D-)
9	IntA_P1_D+	USB 3 ICC Port1 D+(USB2 Signal D+)
10	ID	Over Current Protection
11	IntA_P2_D+	USB 3 ICC Port2 D+(USB2 Signal D+)
12	IntA_P2_D-	USB 3 ICC Port2 D-(USB2 Signal D-)
13	GND	GND
14	IntA_P2_SSTX+	USB 3 ICC Port2 SuperSpeed Tx+
15	IntA_P2_SSTX-	USB 3 ICC Port2 SuperSpeed Tx-
16	GND	GND
17	IntA_P2_SSRX+	USB 3 ICC Port2 SuperSpeed Rx+
18	IntA_P2_SSRX-	USB 3 ICC Port2 SuperSpeed Rx-
19	Vbus	Power



SECT A-A



NOTES:

***Material**

Housing: Nylon66, UL 94V-2.
Contact: Brass.
Plating: Au plating on contact area.
Ni(50u" Min.) underplating overall.

***Mechanical**

Insertion Force: 35N Max.
Withdrawal Force: 15N Min.
Durability: 25 cycles.

***Electrical Specification**

Current Rating: 0.5A/Pin min Except That VBUS Pin is 1.5A.
Contact Resistance: 30mΩ max.Change of All Pins: 20mΩ.
Insulation Resistance: 100MΩ min.
Dielectric Withstanding Voltage: 500V AC For 1 minute.

***Environmental**

Operating Temperature: -55°C to +105°C.

***How to Order**

WUIR-19A2N1BU3N
 N: No Mark
 3: Tray
 U: Lead Free
 B: Brass
 1: Black; 4: Blue(300C)
 N: Nylon66
 2: DIP 90° L=2.30mm
 Au: A: >0.8u"; D: 15u"; F: 30u"
 Number Of Contact
 Series No.

REV	Housing Modify 20P to 19P		Drawing By		Date	WIN WIN PRECISION IND., CO., LTD. TEL: 886-2-22994155 FAX: 886-2-22994157	Date 02/22-'24 Sheet 1 of 1 Title Internal USB 3.0 DIP Receptacle Positive Right Angle(No Mark)
Units	mm	Scale	YDD	02/22-'24			
Tolerance Unless Otherwise Specified			Reviewed By	Date	Third Angle Projection Drawing No. WUIR-19PS-AN-N120	REV	G
.X	~	±0.35	charles	02/24-'24			
.XX	~	±0.25	Approval By	Date			
.XXX	~	±0.15	Nancy	03/01-'24			
Angle	~	± 3°					