

REV.	ECN.NO.	DATE
A	RELEASED	12/13-'10
F	Add specification ADIP 180(3.25)	11/11-'21
G	Housing Modify 20P to 19P	02/22-'24

Pin NO.	Signal	Description
1	Vbus	Power
2	IntA_P1_SSRX-	USB 3 ICC Port1 SuperSpeed Rx-
3	IntA_P1_SSRX+	USB 3 ICC Port1 SuperSpeed Rx+
4	GND	GND
5	IntA_P1_SSTX-	USB 3 ICC Port1 SuperSpeed Tx-
6	IntA_P1_SSTX+	USB 3 ICC Port1 SuperSpeed Tx+
7	GND	GND
8	IntA_P1_D-	USB 3 ICC Port1 D-(USB2 Signal D-)
9	IntA_P1_D+	USB 3 ICC Port1 D+(USB2 Signal D+)
10	ID	Over Current Protection
11	IntA_P2_D+	USB 3 ICC Port2 D+(USB2 Signal D+)
12	IntA_P2_D-	USB 3 ICC Port2 D-(USB2 Signal D-)
13	GND	GND
14	IntA_P2_SSTX+	USB 3 ICC Port2 SuperSpeed Tx+
15	IntA_P2_SSTX-	USB 3 ICC Port2 SuperSpeed Tx-
16	GND	GND
17	IntA_P2_SSRX+	USB 3 ICC Port2 SuperSpeed Rx+
18	IntA_P2_SSRX-	USB 3 ICC Port2 SuperSpeed Rx-
19	Vbus	Power

Unit:mm

Type	Dim A
WUIR-19*1***	2.80
WUIR-19*A***	3.25

**NOTES:**

**\*Material**

Housing: Nylon66, UL 94V-2.  
Nylon9T, UL 94V-0.  
Contact: Brass  
Plating: Au plating on contact area.  
Ni(50u" Min.) underplating overall.

**\*Mechanical**

Insertion Force: 35N Max.  
Withdrawal Force: 15N Min.  
Durability: 25 cycles.

**\*Electrical Specification**

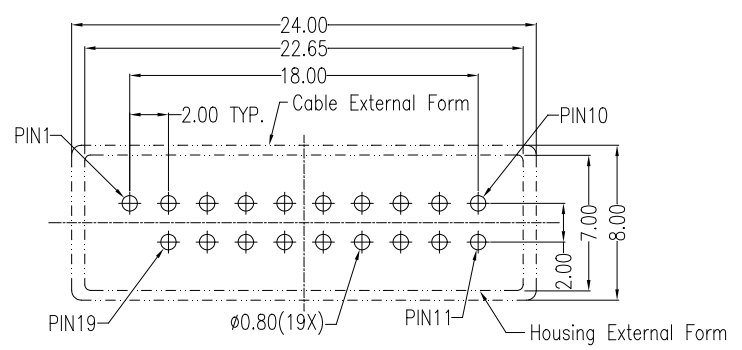
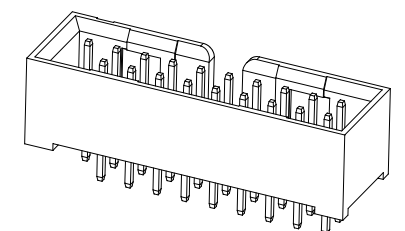
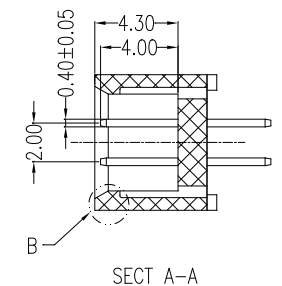
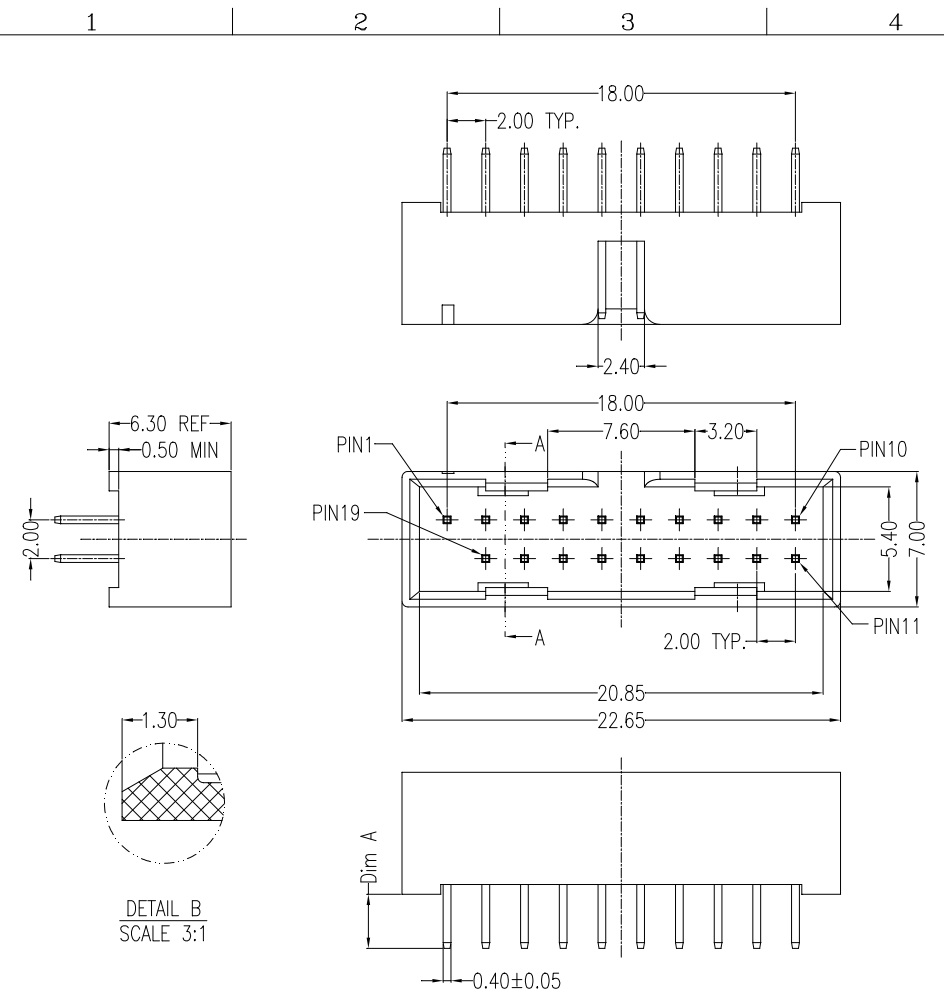
Current Rating: 0.5A/Pin min Except That VBUS Pin is 1.5A.  
Contact Resistance: 30mΩ max.Change of All Pins: 20mΩ.  
Insulation Resistance: 100MΩ min.  
Dielectric Withstanding Voltage: 500V AC For 1 minute.

**\*Environmental**

Operating Temperature: -55°C to +105°C.

**\*How to Order**

WUIR-19A1N4BU3N  
 N: No Mark  
 3: Tray  
 U: Lead Free  
 B: Brass  
 1: Black; 3: White; 4: Blue(300C)  
 N: Nylon66 J: Nylon9T  
 1: DIP 180° L=2.80mm  
 A: DIP 180° L=3.25mm  
 Au: A: >0.8u"; D: 15u"; F: 30u"  
 Number Of Contact  
 Series No.



REV	Housing Modify 20P to 19P		Drawing By	Date	<b>WIN WIN PRECISION IND., CO., LTD.</b> TEL: 886-2-22994155 FAX: 886-2-22994157		
Units	mm	Scale	YDD	02/22-'24			
Tolerance Unless Otherwise Specified			Reviewed By	Date	Date	Internal USB 3.0 DIP Receptacle Vertical Type(No Mark)	
.X ~ ±0.35			charles	02/24-'24	02/22-'24		
.XX ~ ±0.25			Approval By	Date	Sheet	1 of 1	
.XXX ~ ±0.15			Nancy	03/01-'24	Third Angle Projection	Title	
Angle ~ ± 3°						Drawing No. WUIR-19PS-AN-N119	
						REV	G