

REV.	ECN.NO.	DATE
A	RELEASED	03/06-'09
O	Modify date code font, location	05/14-'21
P	Modify Mechanical test	03/24-'23

NOTES:

***Material**

Housing: PBT, UL94 V-0.
 Baffle: Nylon66, UL94 V-0.
 Contact A(4Pin): Phosphor Bronze.
 Contact B(5Pin): Brass.
 Plating: Au Plating On Contact Area.
 Sn(100u" Min.) Plating On Solder Tail.
 Ni(50u" Min.) Underplating Overall.

Shell: Brass;
 Plating: Ni(40u" Min.) Plating Overall.

***Mechanical**

Insertion Force: 35N Max.
 Withdrawal Force: 10N Min.
 Durability: 1500 Cycles.

***Electrical Specification**

Current Rating: 1.8A(Only Pin1 And Pin4), 0.25A For Other Pin.
 Contact Resistance: 30mΩ Max.
 Insulation Resistance: 100MΩ Min.
 Dielectric Withstanding Voltage: 100V AC Min.

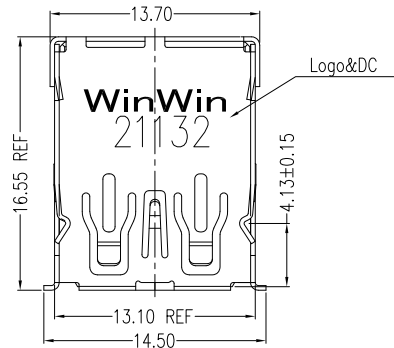
***Environmental**

Operating Temperature: -55°C To +85°C.

***How To Order**

WU3R-09F1B4PBUW3

- 3: Tray
- W: WinWin Mark, Blank: No Mark
- U: Lead Free
- PB: Phosphor Bronze(4Pin)+Brass(5Pin)
- 4: Blue(300C)
- B: PBT
- 1: DIP(2.15mm); 2: DIP(3.10mm)
- Au: A: >0.8u"; D: 15u"; F: 30u"
- Number Of Contacts
- Series No.



PIN	SIGNAL NAME
1	VBUS
2	D-
3	D+
4	GND
5	StdA_SSRX-
6	StdA_SSRX+
7	GND-DRAIN
8	StdA_SSTX-
9	StdA_SSTX+

Part No.	Dim"A"
WU3R-09*1***	2.15
WU3R-09*2***	3.10

DATE	CODE	DESCRIPTION
21	13	4
Thursdays		
13 Weeks		
Year		

A

A

B

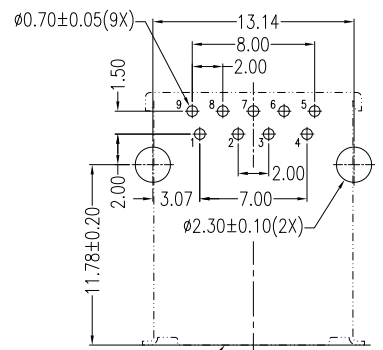
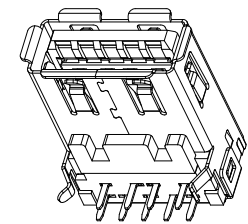
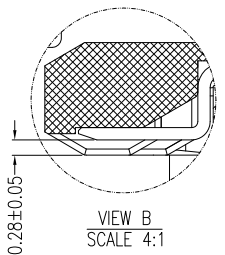
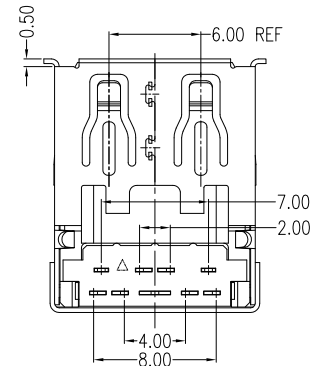
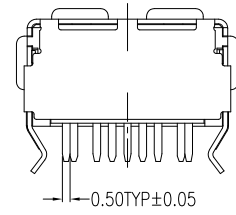
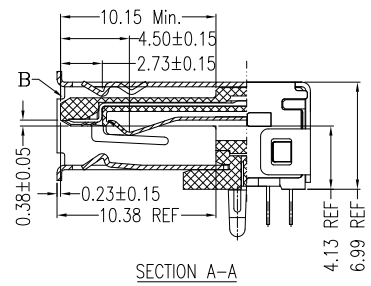
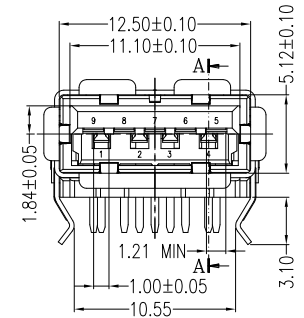
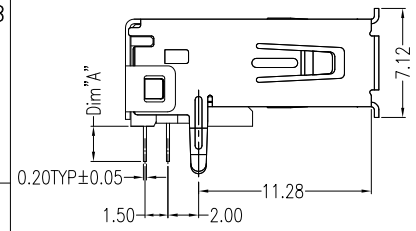
B

C

C

D

D



REV		Modify Mechanical test : Durability: 5000 Cycles → 1500 Cycles.		Drawing By		Date		WIN WIN PRECISION IND. CO., LTD.	
Units	mm	Scale	5:2	Wwy	03/24-'23	TEL: 886-2-22994155 FAX: 886-2-22994157		Title	
Tolerance Unless Otherwise Specified				Reviewed By	Date	Date	03/24-'23	Sheet 1 of 1	
.X ±0.35				Charles	03/24-'23	Third Angle Projection		USB 3.2 Gen2 Receptacle (A Type)	
.XX ±0.25				Approval By	Date	Title		Drawing No.	
.XXX ±0.15				Nnacy	04/07-'23	WU3R-09PS-AN-W140		REV	P
Angle ± 3°									