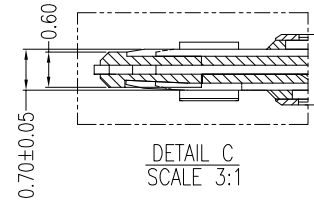
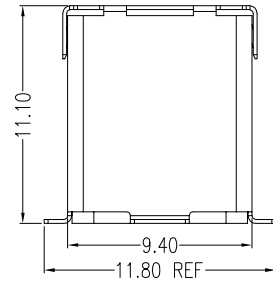
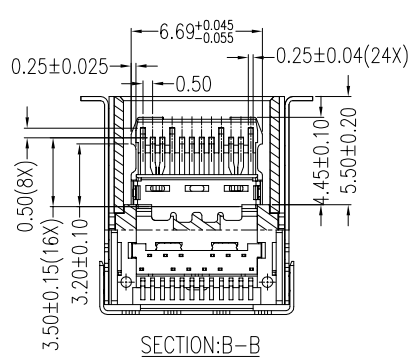


REV.	ECN.NO.	DATE
A	RELEASED	07/26-'16
H	Modify Voltage Rating: 5V → 20V Max	08/23-'19
I	Modify product specification description	03/30-'21

PIN ASSIGNMENT:

Pin No.	Signal Name	Pin No.	Signal Name
A1	GND	B12	GND
A2	SSTXp1	B11	SSRXp1
A3	SSTXn1	B10	SSRXn1
A4	VBUS	B9	VBUS
A5	CC1	B8	SBU2
A6	Dp1	B7	Dn2
A7	Dn1	B6	Dp2
A8	SBU1	B5	CC2
A9	VBUS	B4	VBUS
A10	SSRXn2	B3	SSTXn2
A11	SSRXp2	B2	SSTXp2
A12	GND	B1	GND



NOTES:

\*Material

Housing: LCP, UL94 V-0;  
 Contacts: Copper alloy ;  
 Plating: Au Plating On Contact Area;  
 Sn(100u" Min.) Plating On Solder Tail;  
 Ni(50u" Min.) Underplating Overall;  
 Shell: SUS;  
 Plating: Outer Shell: Ni(50u" Min.) Plated Overall.  
 Other Shell: Stainless Steel; No Plating

\*Mechanical

Insertion Force: 5~20N.  
 Withdrawal Force: 8~20N.  
 Durability: 10000 Cycles

\*Electrical Specification

Current Rating: Vbus pins 5A; GND pins and CC2 pin 1.25A;  
 Other pins 0.25A;  
 Voltage Rating: 20V Max.  
 Contact Resistance: 40mΩ Max.  
 Insulation Resistance: 100MΩ Min.  
 Dielectric Withstanding Voltage: 100V AC Min.

\*Environmental

Operating Temperature: -55°C to +85°C

\*How To Order:

WU3CR-24A4L1CH5N

- N:NO Mark
- 5:REEL
- H: Halogen Free
- C:Copper alloy
- 1:Black
- L:LCP
- 4:DIP+SMT (Heightening Type)
- Au: A:1u"; D:15u"; F:30u"
- Number Of Contacts
- USB 3.2 GEN2 Type C

A

B

C

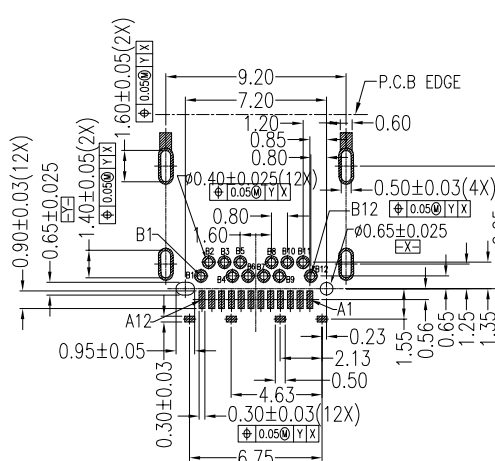
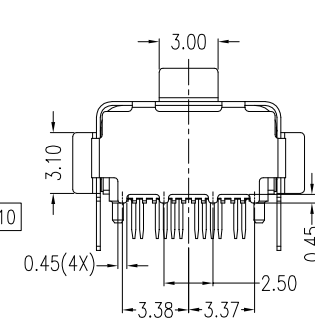
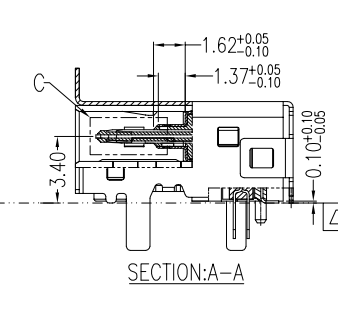
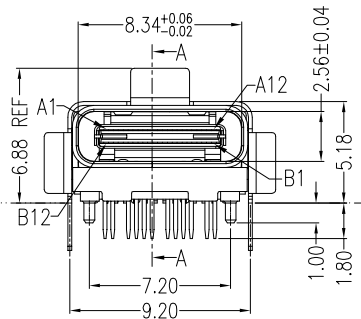
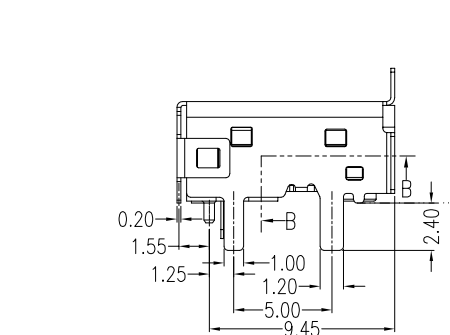
D

A

B

C

D



PCB LAYOUT T=1.60mm  
COMPONENT SIDE

REV I Modify product specification description: USB3.1 → USB3.2 GEN2				Drawing By zzc Date 03/30-'21		WIN WIN PRECISION IND. CO., LTD. TEL: 886-2-22994155 FAX: 886-2-22994157	
Units mm Scale 5:2		Tolerance Unless Otherwise Specified		Reviewed By charles Date 03/31-'21		Date 03/30-'21 Sheet 1 of 1	
.X ~ ±0.35		.XX ~ ±0.25		Approval By Nancy Date 03/31-'21		Title USB3.2 GEN2 Type C DIP+SMT Rec (Heightening Type)(No Mark)	
.XXX ~ ±0.15		Angle ~ ± 3°		Third Angle Projection		Drawing No. WU3CR-24PS-AN-N156 REV I	