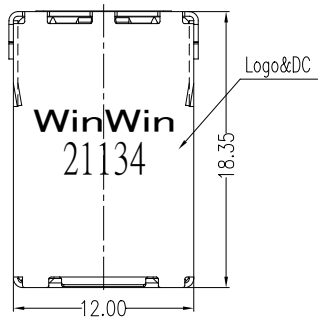
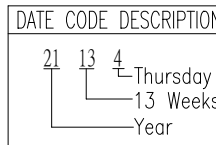


SECT B-B



Pin Number	Signal Name
1	VBUS
2	D-
3	D+
4	GND
5	StdB_SSTX-
6	StdB_SSTX+
7	GND-DRAIN
8	StdB_SSRX-
9	StdB_SSRX+



Unit:mm

Type	Dim A
WU3BR-09*1***	2.80
WU3BR-09*8***	2.16

NOTES:

***Material**

Housing: PBT&PA9T, UL 94V-0.
Baffle: Nylon66&PA9T, UL 94V-0.
Contact A(5P): Brass.

Plating: Au plating on contact area.
Sn (100u" min.) plating on solder tail.
Ni (50u" min.) underplating overall.
Contact B(4P): Phosphor Bronze.
Plating: Au plating on contact area.
Sn (100u" min.) plating on solder tail.
Ni (50u" min.) underplating overall.

Shell: Brass; Full Ni (40u" min.) Plating.

***Mechanical**

Insertion Force: 35N Max.
Withdrawal Force: 10N Min.
Durability: 1500 Cycles.

***Electrical Specification**

Current Rating: 1.8A(Only Pin1,4), 0.25A For Other Pin.
Insulation Resistance: 100MΩ Min.
Contact Resistance: 30mΩ Max.
Dielectric Withstanding Voltage: 100V AC Min.

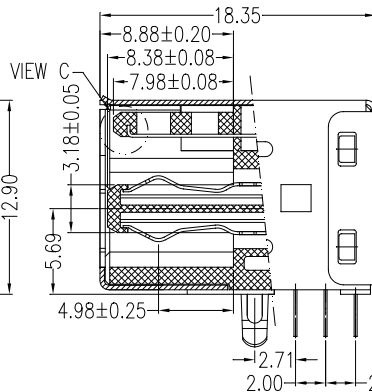
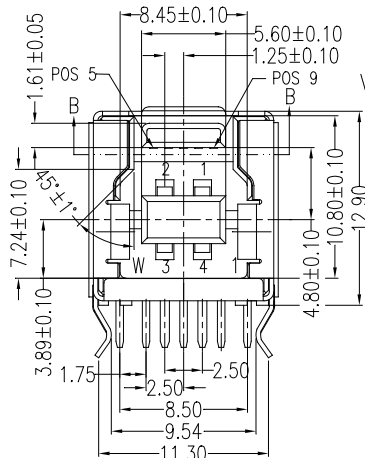
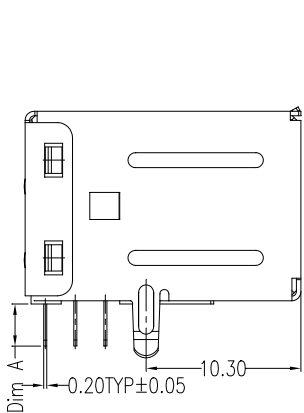
***Environmental**

Operating Temperature: -55°C to +85°C.

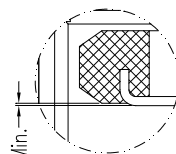
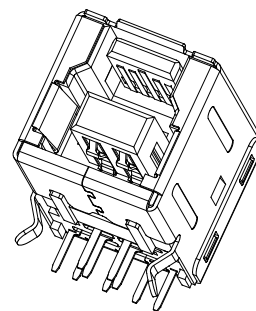
***How to Order:**

WU3BR-09F1B4PBUW3

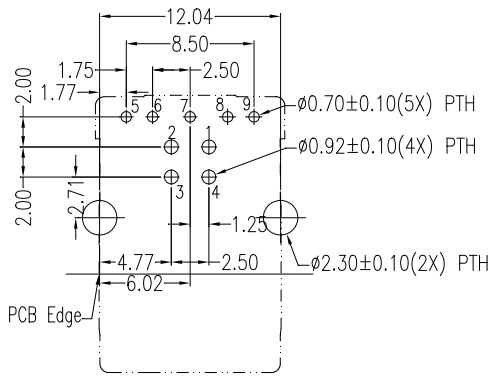
- L3: Tray
- W: WinWin Mark, Blank: No Mark
- U: Lead Free H: Halogen Free
- PB: Phosphor Bronze(4P)+Brass(5P)
- 1: Black 4: Blue
- B: PBT N9: PA9T
- 1: Pin L=2.80mm
- 8: Pin L=2.16mm
- Au: A:>0.8u", B: 5u", D:15u", F: 30u"
- NO. of Contacts
- Series No.



SECT A-A



VIEW C
SCALE 3:1



PCB LAYOUT(T=1.00~1.60mm)
COMPONENT SIDE

REV Upgrading GEN2 & Modify Title and Dimension:0.55→0.51.

Units	mm	Scale	5:2	Drawing By	Date
				Wwy	04/09-'24
Tolerance Unless Otherwise Specified				Reviewed By	Date
	.X	~	±0.35	Charles	04/09-'24
	.XX	~	±0.25	Approval By	Date
	.XXX	~	±0.15	Nancy	04/11-'24
	Angle	~	± 3°		

WIN WIN PRECISION IND. CO., LTD.
TEL: 886-2-22994155 FAX: 886-2-22994157

Date: 03/25-'24
Sheet: 1 of 1
Title: USB 3.2 Gen2 B Type Receptacle
Third Angle Projection

Drawing No. WU3BR-09PS-AN-W096 REV R