

REV.	ECN.NO.	DATE
A	RELEASED	06/13-'10
B	Modify post distance	09/25-'11
C	Add the type of 5u plating	10/01-'12

Notes:

*Material

Housing: LCP+50%GF, UL 94V-0 rated, Color: Black;
 Contact: Phosphor Bronze;
 Plating: Au Plating on contact area, Au(Flash) Plating on solder tail, Ni(50u" Min) underplating over all;
 Shell: Stainless steel; Nickel(40u" Min) Plating.

*Mechanical

Insertion Force: 35N Max;
 Withdrawal Force: 8N Min;
 Durability: 10000 cycles Min.

*Electrical Specification

Current Rating: 1.8A(Only Pin1,5), 0.25A For Other Pin;
 Contact Resistance: 30mΩ Max;
 Insulation Resistance: 100MΩ Min;
 Dielectric Withstanding Voltage: 100V AC Min.

*Environmental

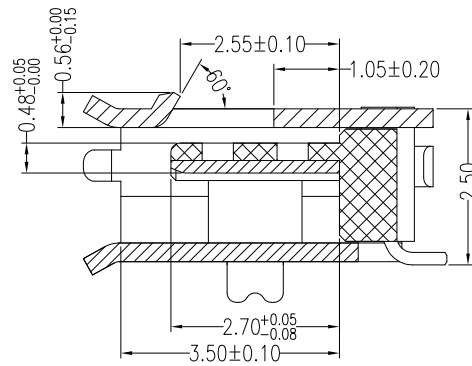
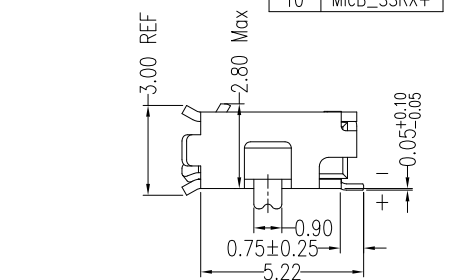
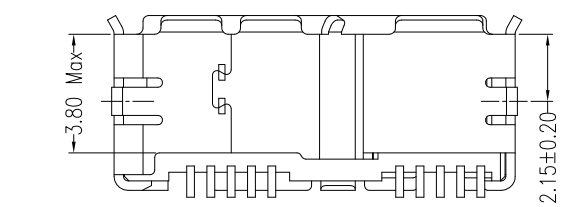
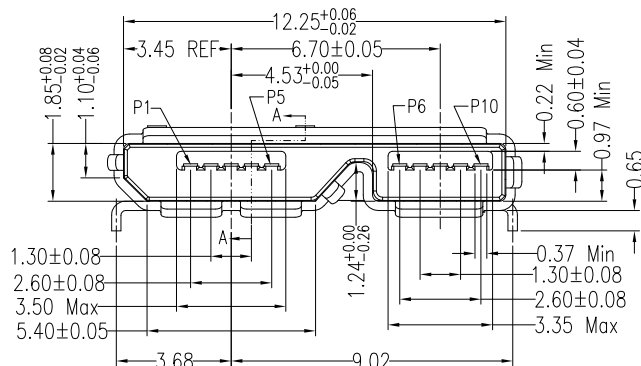
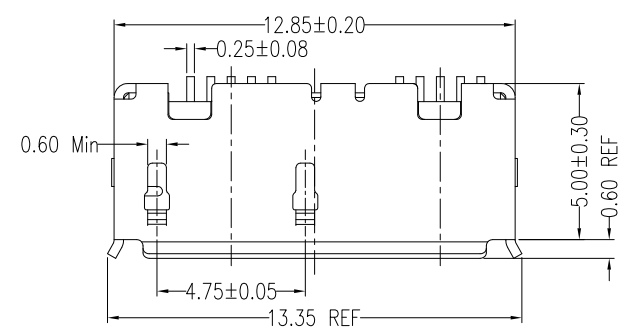
Operating Temperature: -55°C to +85°C.

*How to Order:

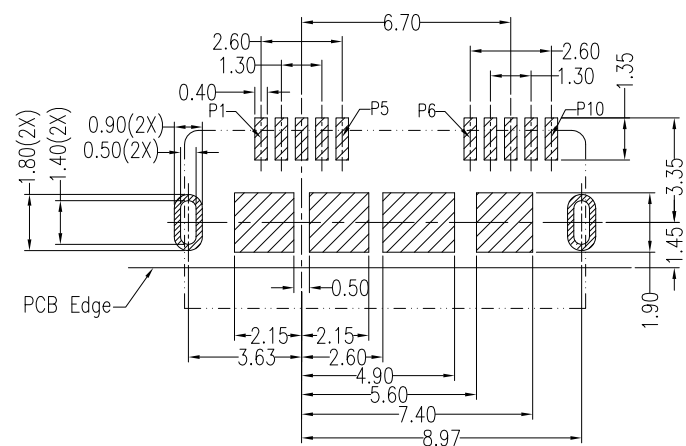
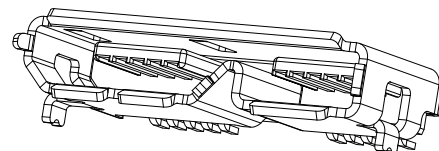
WMUR-10F4L1PH5N

- N:No Mark
- 5:Reel
- U:Lead Free H:Halogen Free
- P:Phosphor Bronze
- 1:Black
- L:LCP
- 4:SMT B Type(Post DIP)
- Au A:>0.8u"; B:5u"; D:15u"; F:30u";
- Number of contacts
- Micro USB 3.0 Receptacle

Pin Number	Signal Name
1	VBUS
2	D-
3	D+
4	ID
5	GND
6	MicB_SSTX-
7	MicB_SSTX+
8	GND_DRAIN
9	MicB_SSRX-
10	MicB_SSRX+



SECTION: A-A
SCALE: 2:1



PCB LAYOUT (T=1.00mm)
COMPONENT SIDE (Tol:±0.05)

REV	Modify post distance: 3.63 to 3.68, 8.97 to 9.02			Drawing By		Date		WIN WIN PRECISION IND. CO., LTD.			
Units	mm	Scale	4:1	Violet		10/01-'12	TEL: 886-2-22994155		FAX: 886-2-22994157		
Tolerance Unless Otherwise Specified				Reviewed By		Date	10/01-'11	Sheet 1 of 1		Title	
.X	~	±0.38		Rosh		10/01-'12			Micro USB 3.0 -B Type Receptacle (Post DIP)		
.XX	~	±0.25		Approval By		Date	10/03-'12	Third Angle Projection			
.XXX	~	±0.20		Richard		10/03-'12					
Angle	~	± 3°						Drawing No.	WMUR-10PS-AN-N112	REV	C