

REV.	ECN.NO.	DATE
A	RELEASED	06/13-'10
B	Modify Notes	09/25-'11
C	Modify Dimensions	01/17-'22

Pin Number	Signal Name
1	VBUS
2	D-
3	D+
4	ID
5	GND
6	MicA_SSTX-
7	MicA_SSTX+
8	GND_DRAIN
9	MicA_SSRX-
10	MicA_SSRX+

Notes:

\*Material

Housing: LCP, UL 94V-0;  
 Contact: Phosphor Bronze;  
 Plating: Au plating on contact area;  
 Sn(100u" Min.) plating on solder tail;  
 Ni(50u" Min.) underplating overall.  
 Shell: Stainless steel;  
 Plating: Ni(40u" Min) Plating.

\*Mechanical

Insertion Force: 35N Max;  
 Withdrawal Force: 8N Min;  
 Durability: 10000 cycles Min.

\*Electrical Specification

Current Rating: 1.8A(Only Pin1,5), 0.25A For Other Pin;  
 Contact Resistance: 30mΩ Max;  
 Insulation Resistance: 100MΩ Min;  
 Dielectric Withstanding Voltage: 100V AC Min.

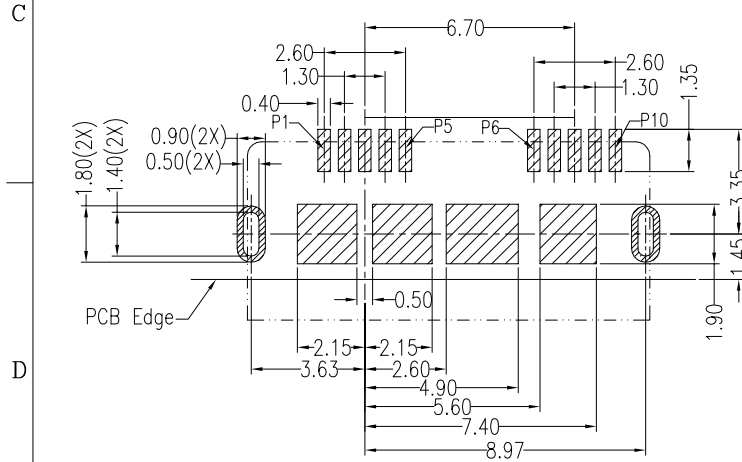
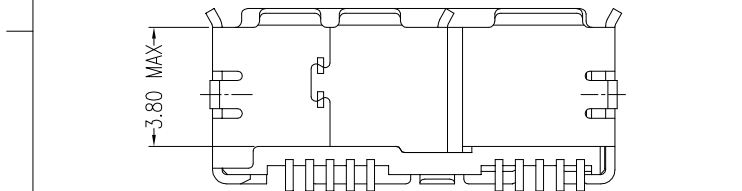
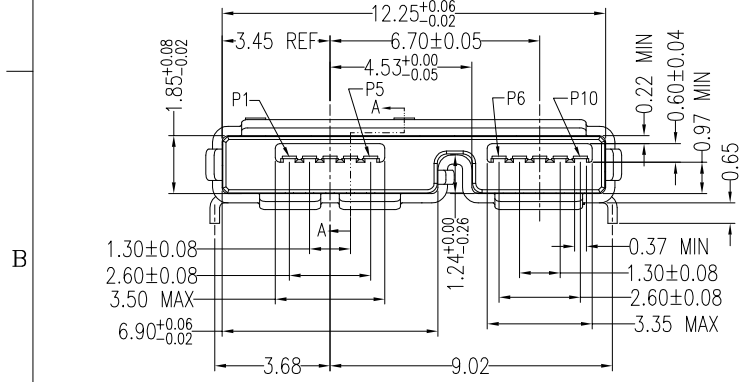
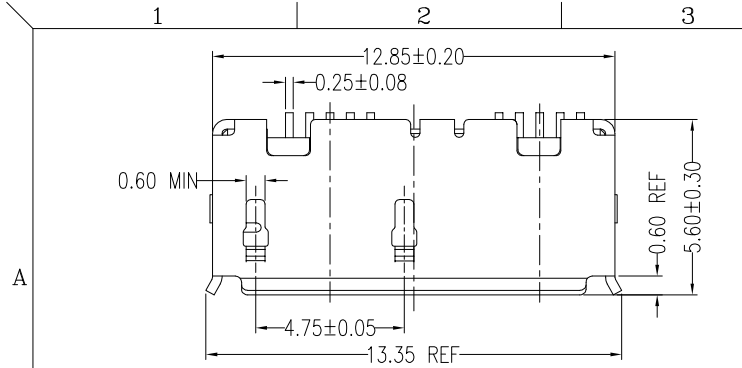
\*Environmental

Operating Temperature: -55°C to +85°C.

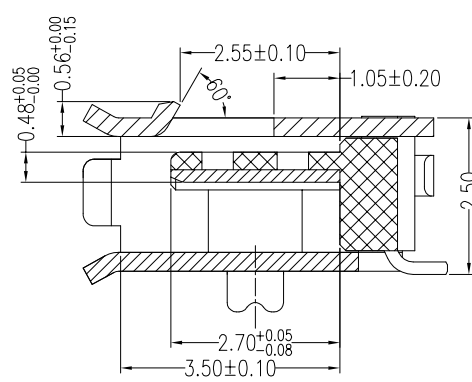
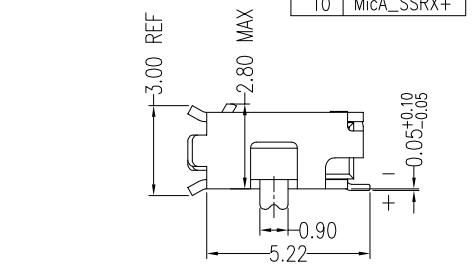
\*How to Order:

WMUR-10F3L1PH5N

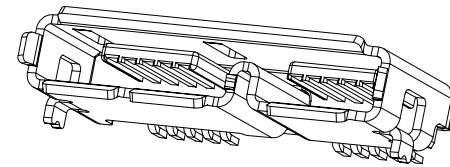
- N:No Mark H:Halogen Free
- 5:Reel
- U:Lead Free
- P:Phosphor Bronze
- 1:Black
- L:LCP
- 3:SMT AB Type(Post DIP)
- Au A: >0.8u"; D: 15u"; F: 30u";
- Number of contacts
- Micro USB 3.0 Receptacle



PCB LAYOUT(T=1.00mm)  
 COMPONENT SIDE(Tol:±0.05)



SECTION: A-A  
 SCALE: 2:1



REV Modify Dimensions: 3.63 → 3.68, 8.97 → 9.02, 0.70 → 0.65 .

Units	mm	Scale	4:1	Drawing By	Date	WIN WIN PRECISION IND. CO., LTD.	
Tolerance Unless Otherwise Specified				wwy	01/17-'22	WINNING TEL: 886-2-22994155 FAX: 886-2-22994157	
.X	~	±0.35		Reviewed By	Date	Date	01/17-'22
.XX	~	±0.25		Charles	01/17-'22	Sheet	1 of 1
.XXX	~	±0.15		Approval By	Date	Third Angle Projection	Title
Angle	~	± 3°		Nancy	01/18-'22		Micro USB 3.0 -AB Type Receptacle (Post DIP)
						Drawing No.	WMUR-10PS-AN-N111
						REV	C