

| REV. | ECN.NO. | DATE |
|------|------------------------------------|-----------|
| A | RELEASED | 03/14-'16 |
| D | Remove 3.1,adjust logo&DC position | 12/07-'20 |
| E | Modify date code font, location | 05/14-'21 |

NOTES:

***Material**

Housing: PBT, UL94 V-0;
 Baffle : Nylon66, UL94 V-0;
 Contacts(4Pin): Phosphor Bronze
 Contacts(5Pin): Brass
 Plating: Au Plating On Contact Area;
 Sn(100u" Min.) Plating On Solder Tail;
 Ni(50u" Min.) Underplating Overall.
 Shell(Front): Stainless Steel; Ni(40u" Min.) Plating Overall
 Shell(In)&Shell(Back): Stainless Steel; No Plating

***Mechanical**

Insertion Force: 35N Max.
 Withdrawal Force: 10N Min.
 Durability: 1500 Cycles

***Electrical Specification**

Current Rating: 1.8A(Only Pin1, 4, 10, 13), 0.25A For Other Pin
 Contact Resistance: 30mΩ Max.
 Insulation Resistance: 100MΩ Min.
 Dielectric Withstanding Voltage: 100V AC Min.

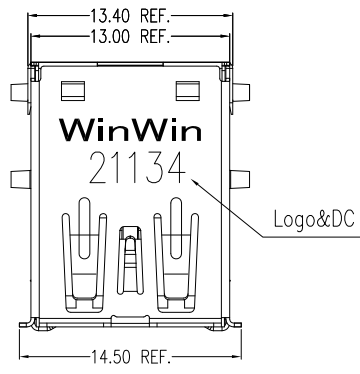
***Environmental**

Operating Temperature: -55°c to +85°c.

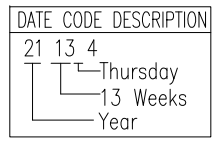
***How to order:**

WDUAR-18A1B4PBUW3

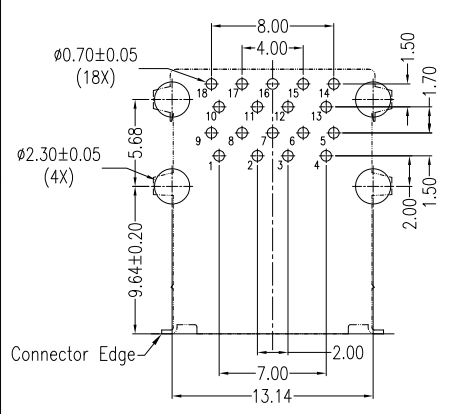
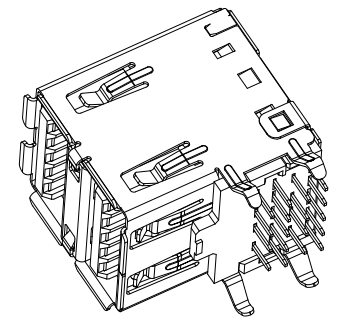
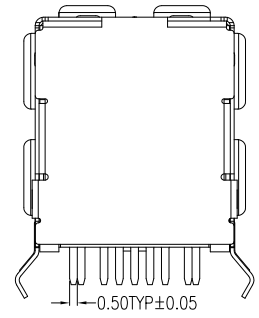
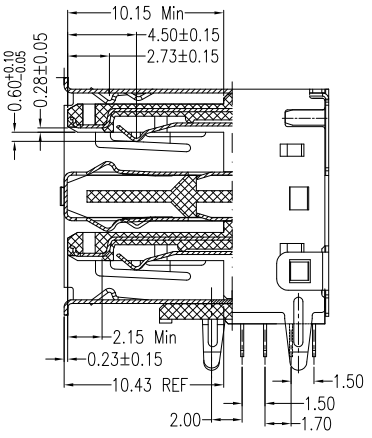
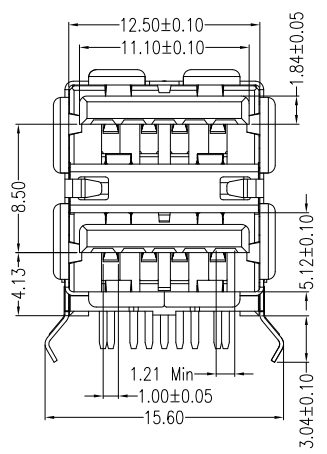
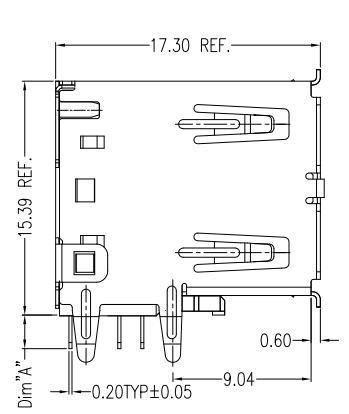
- L:3:Tray
- W:"WinWin"Mark
- N:No Mark
- U:Lead Free
- PB:Phosphor Bronze(4Pin)+Brass(5Pin)
- 4: Blue(300C)+Red(200C)
- 6: Red(200C)
- 2: Blue(300C)
- B:PBT
- 1:Dip(Short Body)(Molding Type)(2.15~2.30)
- 2:Dip(Short Body)(Molding Type)(3.10±0.10)
- Au: A:>0.8u"; D:15u"; F:30u"
- Number of contacts
- Series No.



| PIN | SIGNAL NAME | |
|-----|-------------|------------|
| 1 | 10 | VBUS |
| 2 | 11 | D- |
| 3 | 12 | D+ |
| 4 | 13 | GND |
| 5 | 14 | StdA_SSRX- |
| 6 | 15 | StdA_SSRX+ |
| 7 | 16 | GND-DRAIN |
| 8 | 17 | StdA_SSTX- |
| 9 | 18 | StdA_SSTX+ |



| Part No. | Dim"A" |
|---------------|-----------|
| WDUAR-18*1*** | 2.15~2.30 |
| WDUAR-18*2*** | 3.10±0.10 |



PCB LAYOUT T=1.60mm
COMPONENT SIDE

| | | | | | | | | | | | | |
|-----|---------------------------------|--|--|-------|----|-------|-----|-------------|----------|---|-----------|---|
| REV | Modify date code font, location | | | Units | mm | Scale | 2:1 | Drawing By | Date | WIN WIN PRECISION IND. CO., LTD. TEL: 886-2-22994155 FAX: 886-2-22994157 | | |
| | | | | | | | | ZT | 5/14-'21 | Date | 05/14-'21 | Title Double USB 3.2 Gen2 REC. (Short Body)(Molding Type) |
| | | | | | | | | Reviewed By | 5/28-'21 | Sheet | 1 of 1 | |
| | | | | | | | | Charles | | Date | | |
| | | | | | | | | Approval By | 6/01-'21 | Date | | |
| | | | | | | | | Nancy | | | | Drawing No. WDUAR-18PS-AN-W155 REV E |