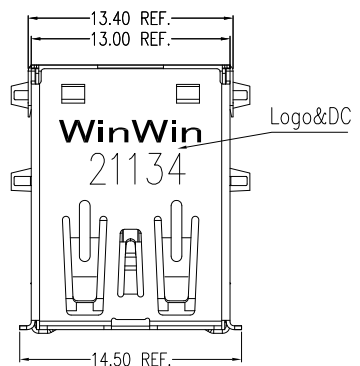
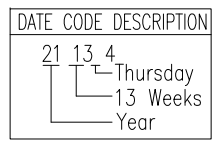


REV.	ECN.NO.	DATE
A	RELEASED	11/18-'13
G	Remove the words "3.0" Adjust Logo&DC position	12/07-'20
H	Modify date code font, location	05/14-'21



PIN	SIGNAL NAME	
1	10	VBUS
2	11	D-
3	12	D+
4	13	GND
5	14	StdA_SSRX-
6	15	StdA_SSRX+
7	16	GND-DRAIN
8	17	StdA_SSTX-
9	18	StdA_SSTX+



Part No.	Dim "A"
WDU3R-18*5***	2.15~2.30
WDU3R-18*6***	3.10±0.10

**NOTES:**

**\*Material**  
Housing: PBT, UL94 V-0;  
Baffle : Nylon66, UL94 V-0;  
Contacts(4Pin): Phosphor Bronze  
Contacts(5Pin): Brass  
Plating: Au Plating On Contact Area;  
Sn(100u" Min.) Plating On Solder Tail;  
Ni(50u" Min.) Underplating Overall.  
Shell(Front): Stainless Steel; Ni(40u" Min.) Plating Overall  
Shell(In)&Shell(Back): Stainless Steel; No Plating

**\*Mechanical**

Insertion Force: 35N Max.  
Withdrawal Force: 10N Min.  
Durability: 1500 Cycles.

**\*Electrical Specification**

Current Rating: 1.8A(Only Pin1, 4, 10, 13), 0.25A For Other Pin  
Contact Resistance: 30mΩ Max.  
Insulation Resistance: 100MΩ Min.  
Dielectric Withstanding Voltage: 100V AC Min.

**\*Environmental**

Operating Temperature: -55°C to +85°C.

**\*How to order:**

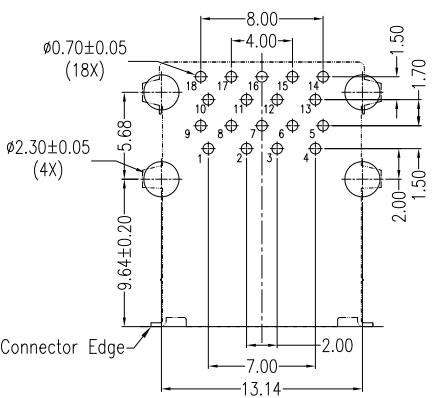
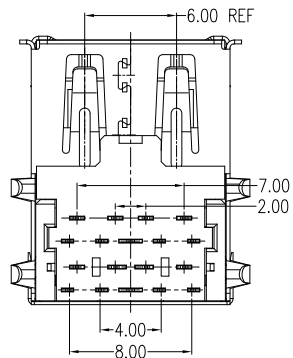
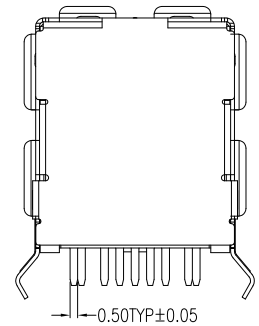
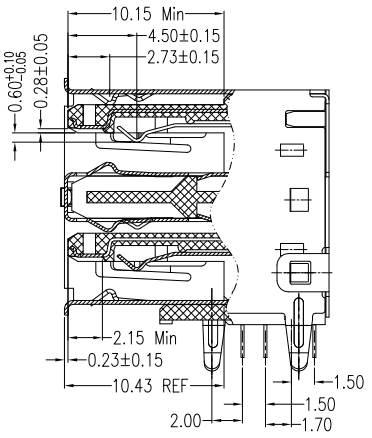
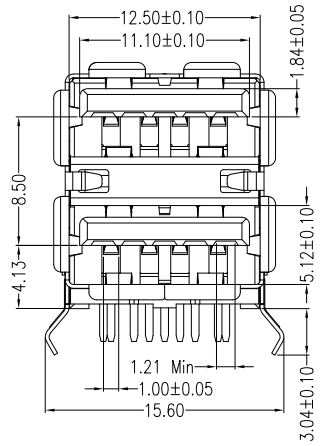
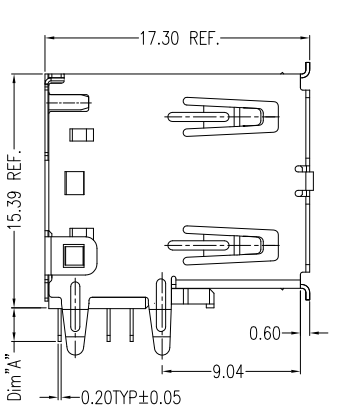
- WDU3R-18F5B4PBUW3
- 3:Tray
  - W:"WinWin"Mark, N:No Mark
  - U:Lead Free
  - PB:Phosphor Bronze(4Pin)+Brass(5Pin)
  - 4:Blue(300C)
  - B:PBT
  - 5:Dip(Short Body)(Molding Type)(2.15~2.30)
  - 6:Dip(Short Body)(Molding Type)(3.10±0.10)
  - Au: A:>0.8u"; D:15u"; F:30u"
  - Number of contacts
  - Series No.

A

B

C

D



PCB LAYOUT T=1.60mm  
COMPONENT SIDE

REV Modify date code font, location				Drawing By		Date		WIN WIN PRECISION IND. CO., LTD.	
Units	mm	Scale	2:1	ZT		05/14-'21	TEL: 886-2-22994155 FAX: 886-2-22994157		
Tolerance Unless Otherwise Specified				Reviewed By	Date	05/14-'21	Title		
.X	~	±0.35		Charles	05/28-'21	Sheet 1 of 1	Double USB 3.2 GenI REC.(Short Body) (Molding Type)(With Mark)		
.XX	~	±0.25		Approval By	Date	Third Angle Projection			
.XXX	~	±0.15		Nancy	06/01-'21				
Angle	~	± 3°				Drawing No.	WDU3R-18PS-AN-W149	REV H	