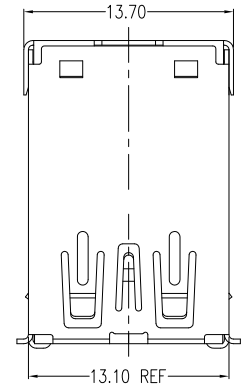
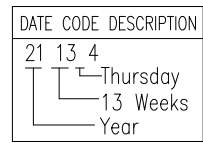


REV.	ECN.NO.	DATE
A	RELEASED	03/18-'10
I	Remove the words "3.0"	12/07-'20
J	Modify date code font, location	05/14-'21



PIN	SIGNAL NAME
1	10 VBUS
2	11 D-
3	12 D+
4	13 GND
5	14 StdA_SSRX-
6	15 StdA_SSRX+
7	16 GND-DRAIN
8	17 StdA_SSTX-
9	18 StdA_SSTX+

Part No.	Dim"A"
WDU3R-18*1***	2.15
WDU3R-18*2***	3.10



NOTES:

***Material**

Housing: PBT. UL94 V-0;
 Baffle : Nylon66. UL94 V-0;
 Contacts(4Pin): Phosphor Bronze
 Contacts(5Pin): Brass
 Plating: Au Plating On Contact Area;
 Sn(100u"Min.) Plating On Solder Tail.
 Ni(50u"Min.) Underplating Overall.
 Shell(Front): Brass; Ni(40u"Min.) Plating Overall
 Shell(In)&Shell(Back): Stainless Steel, No Plating

***Mechanical**

Insertion Force: 35N Max.
 Withdrawal Force: 10N Min.
 Durability: 1500 Cycles.

***Electrical Specification**

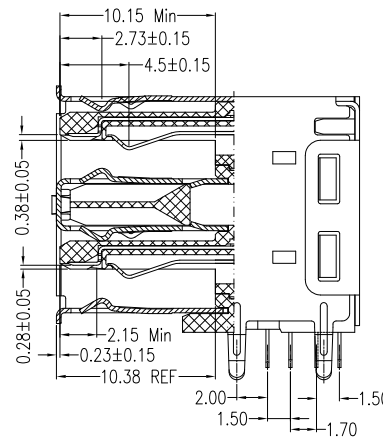
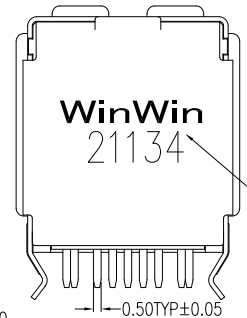
Current Rating: 1.8A(Only Pin1,4,10,13), 0.25A For Other Pin
 Contact Resistance: 30mΩ Max.
 Insulation Resistance: 100MΩ Min.
 Dielectric Withstanding Voltage: 100V AC Min.

***Environmental**

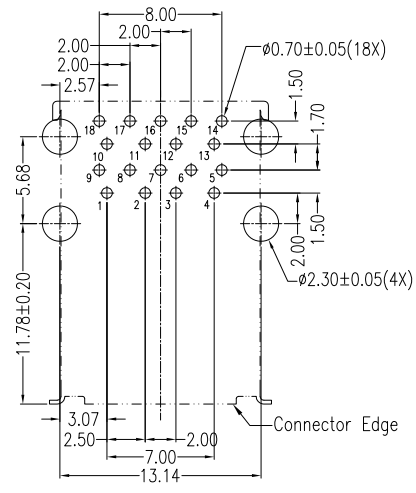
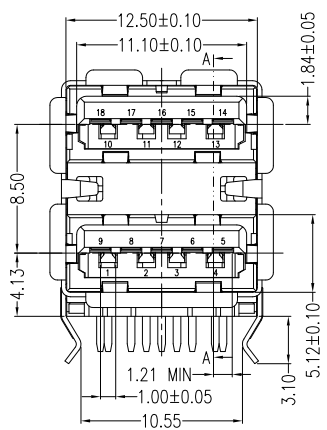
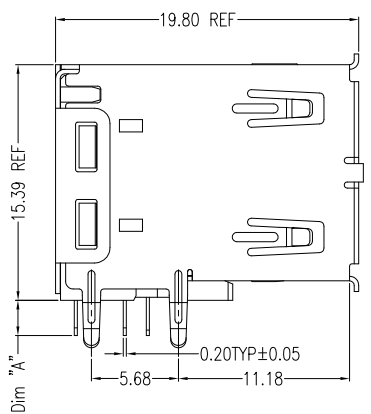
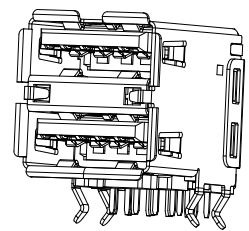
Operating Temperature: -55°c To +85°c

***How To Order:**

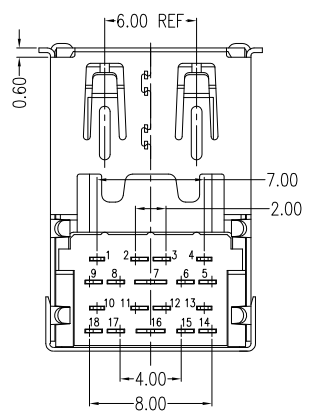
WDU3R-18F1B4PBWU3
 3:Tray
 W:WinWin Mark, N:No Mark
 U:Lead Free
 PB:Phosphor Bronze(4Pin)+Brass(5Pin)
 4:Blue(300C)
 B:PBT
 1:DIP(2.15mm); 2:DIP(3.10mm)
 Au: A:>0.8u"; D:15u"; F:30u"
 Number Of Contacts
 Series No.



SECTION A-A



PCB LAYOUT T=1.60mm
COMPONENT SIDE



REV	Modify date code font, location			Drawing By	Date	WIN WIN PRECISION IND. CO., LTD.		
	Units	mm	Scale	ZT	05/14-'21	TEL: 886-2-22994155 FAX: 886-2-22994157		
	Tolerance Unless Otherwise Specified			Reviewed By	Date	Date	05/14-'21	Title Double USB 3.2 Gen1 A Type Receptacle
	.X	~	±0.35	Charles	05/28-'21	Sheet	1 of 1	
	.XX	~	±0.25	Approval By	Date	Third Angle Projection		
	.XXX	~	±0.15	Nancy	06/01-'21			Drawing No. WDU3R-18PS-AN-W099 REV J
	Angle	~	± 3°					