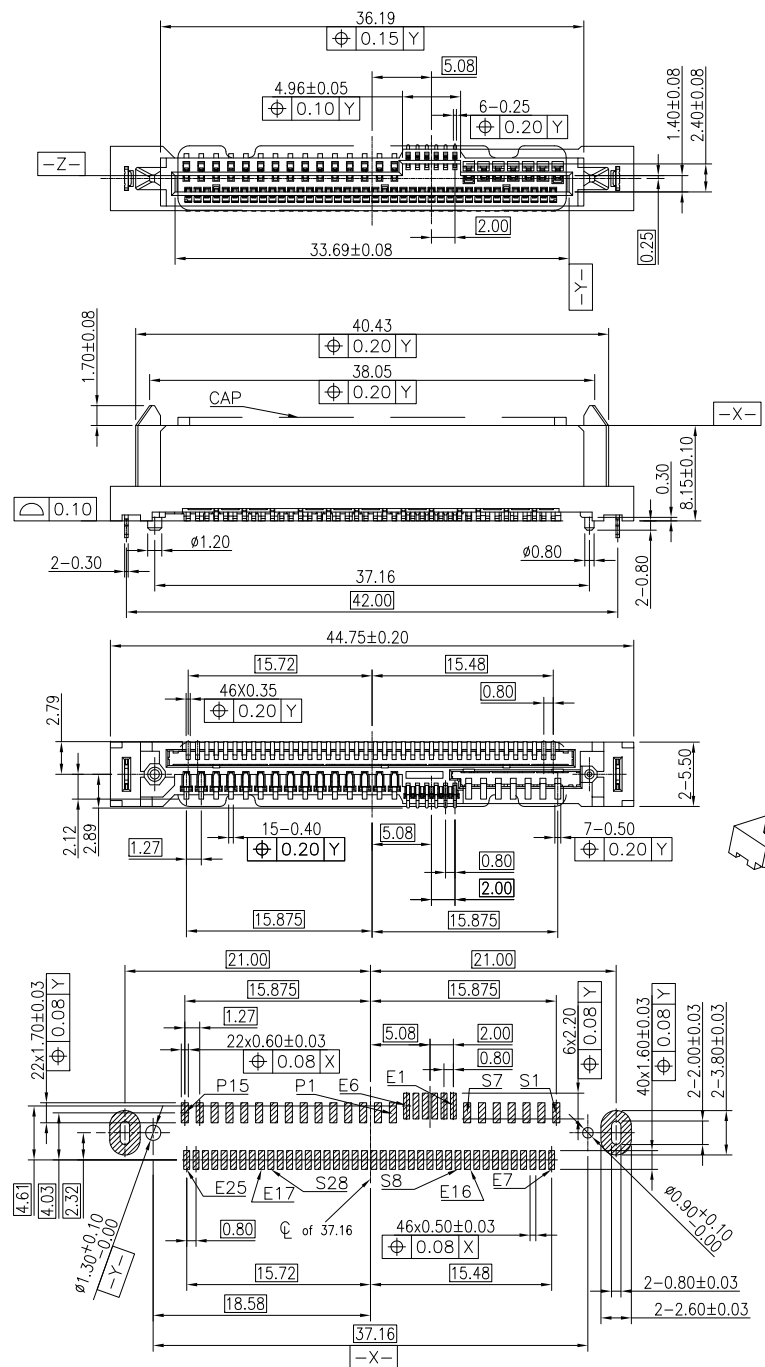


REV.	ECN.NO.	DATE
A	RELEASED	08/28-'23



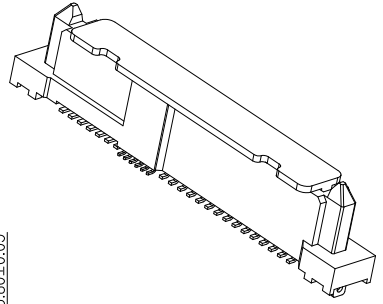
NOTE

- 1.MATERIAL
HOUSING : HIGE THERMOPLASTIC, UL94V-0,BLACK. ; TERMINAL : COPPER ALLOY.
BOARD LOCK : COPPER ALLOY. ; GROUND : STAINLESS STEEL.
- 2.PLATING
TERMINAL : 30u" Au ON CONTACT AREA,
100u" MIN. Sn PLATED ON SOLDER TAIL AREA,
BOTH OVER 50u" MIN. Ni UNDERPLATED OVERALL.
BOARD LOCK : 100u" MIN.Sn PLATED ON SOLDER TAIL AREA,
BOTH OVER 50u" MIN. Ni UNDERPLATED OVERALL.
GROUND : WELDABLE Ni OVERALL.

How to order

WSFF5-68F6L1PU6T45

- 6: CAP+Reel
- U: Lead Free
- P: Phosphor Bronze
- 1: Black
- L: LCP
- 6: Vertical Board Lock DIP Type
- F: 30u"
- Number of Contacts
- Series No.

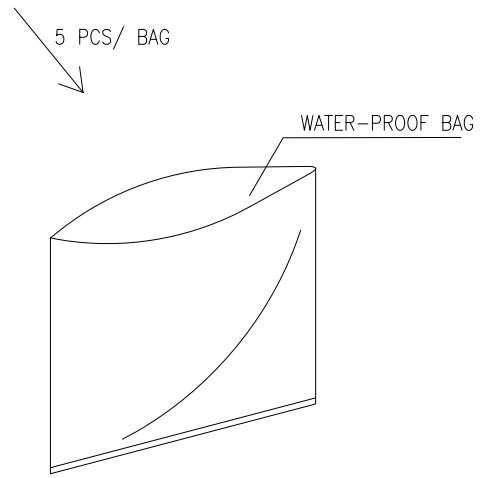
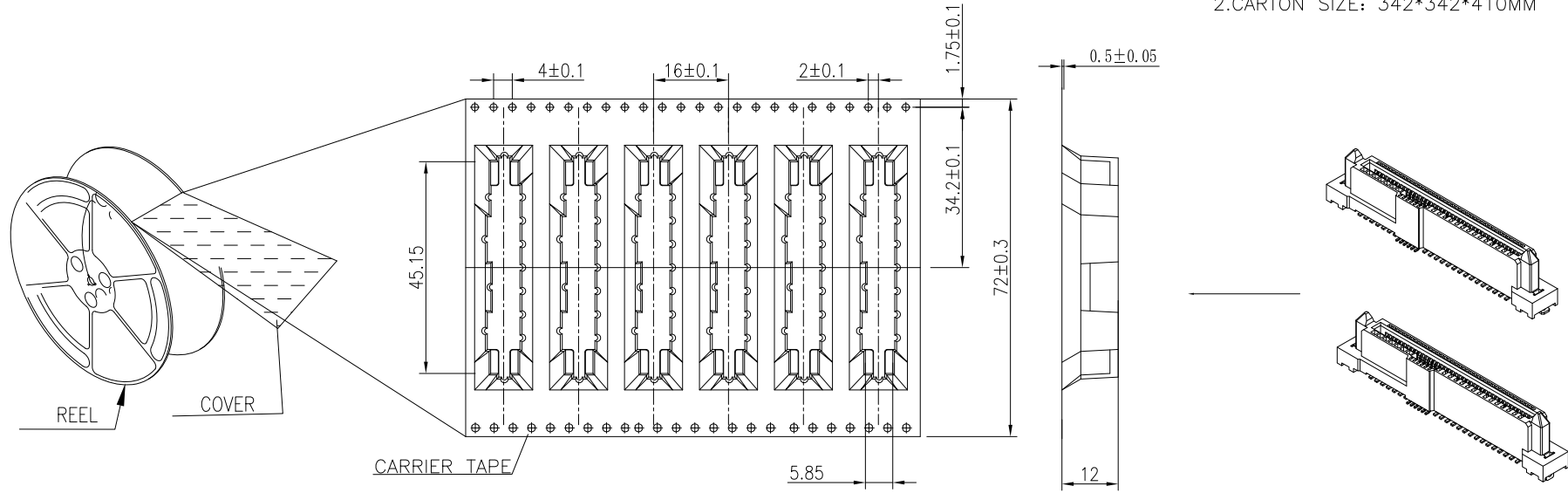


RECOMMENDED PCB LAYOUT (TOP VIEW)
TOLERANCE: ±0.05mm

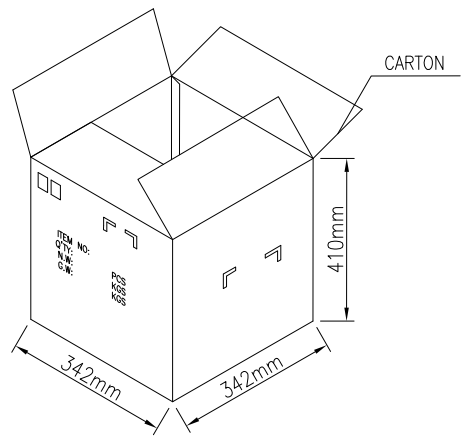
REV	Units	mm	Scale	1:1	Drawing By	Date	WIN WIN PRECISION IND. CO., LTD. D TEL: 886-2-22994155 FAX: 886-2-22994157		
	Tolerance Unless Otherwise Specified				Lily	08/28-'23	Date	08/28-'23	Title
X.X	=±0.20				Reviewed By	Date	08/28-'23	Sheet 1 of 1	
X.XX	=±0.15				Lulu	08/28-'23	Third Angle Projection		Drawing No.
X.X'	=±3'				Approval By	Date	08/28-'23	WSFF5-68F6L1PU6T45	
					Robert	08/28-'23	REV		A

REV.	ECN.NO.	DATE
A	RELEASED	08/28-'23

NOTE:
 1.PACKING:300PCS/REEL,1500PCS/CTN
 2.CARTON SIZE: 342*342*410MM



1 BAG/ CTN



REV				Drawing By		Date		WIN WIN PRECISION IND. CO., LTD.	
Units	mm	Scale	1:1	Lily	08/28-'23	WINNING		TEL: 886-2-22994155	FAX: 886-2-22994157
Tolerance Unless Otherwise Specified				Reviewed By		Date		Date	08/28-'23
X.X	=±0.20			Lulu	08/28-'23	Sheet	2 of 1	Title	PCI-E SAS 68PIN (SFF-8639)
X.XX	=±0.15			Approval By		Date		Third Angle Projection	Vertical SMT Female (GEN 5)
X.X'	=±3'			Robert	08/28-'23			Drawing No.	WSFF5-68F5L1PU6T45
								REV	A