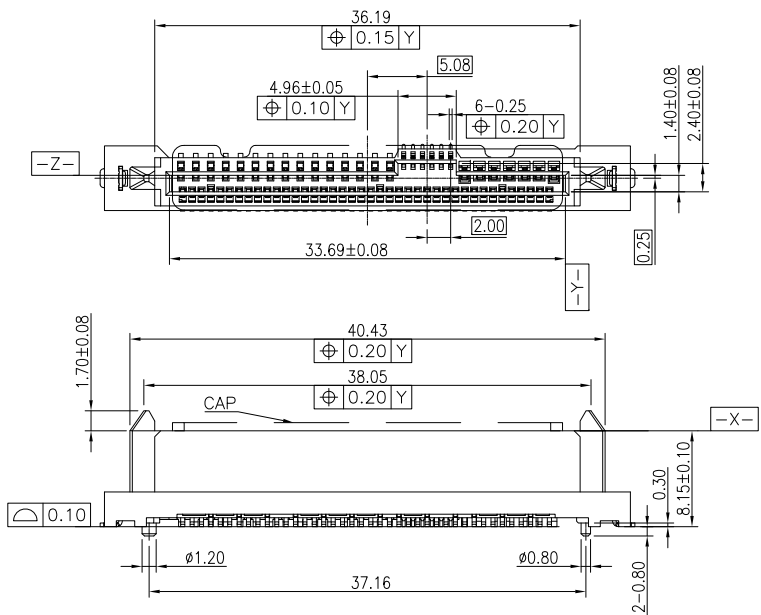


REV.	ECN.NO.	DATE
A	RELEASED	08/28-'23



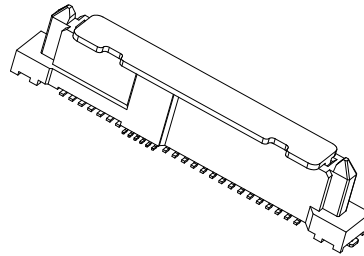
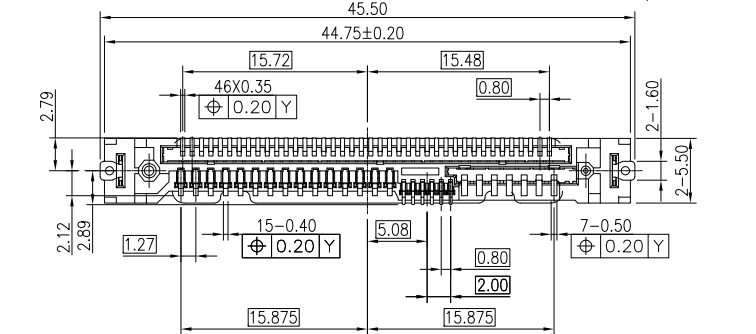
NOTE

1.MATERIAL

HOUSING : HIGE THERMOPLASTIC, UL94V-0,BLACK. ; TERMINAL : COPPER ALLOY.
BOARD LOCK : COPPER ALLOY. ; GROUND : STAINLESS STEEL.

2.PLATING

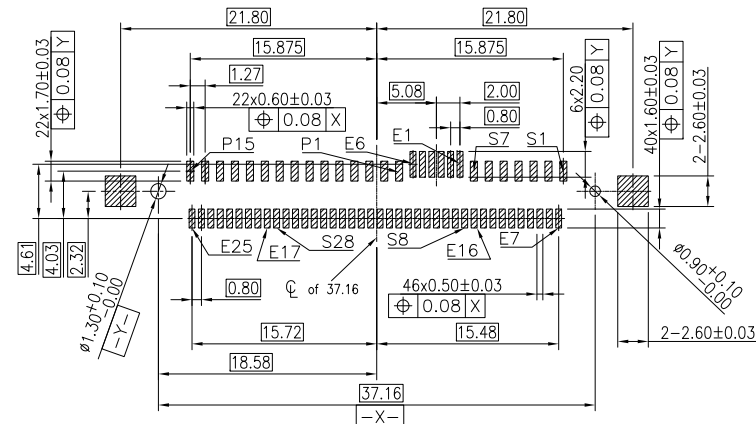
TERMINAL : 30u" Au ON CONTACT AREA,
100u" MIN. Sn PLATED ON SOLDER TAIL AREA,
BOTH OVER 50u" MIN. Ni UNDERPLATED OVERALL.
BOARD LOCK : 100u" MIN.Sn PLATED ON SOLDER TAIL AREA,
BOTH OVER 50u" MIN. Ni UNDERPLATED OVERALL.
GROUND : WELDABLE Ni OVERALL.



How to order

WSFF5-68F5L1PU6T45

- 6: CAP+Reel
- U: Lead Free
- P: Phosphor Bronze
- 1: Black
- L: LCP
- 5: Vertical Bard Lock SMT Type
- F: 30u"
- Number of Contacts
- Series No.

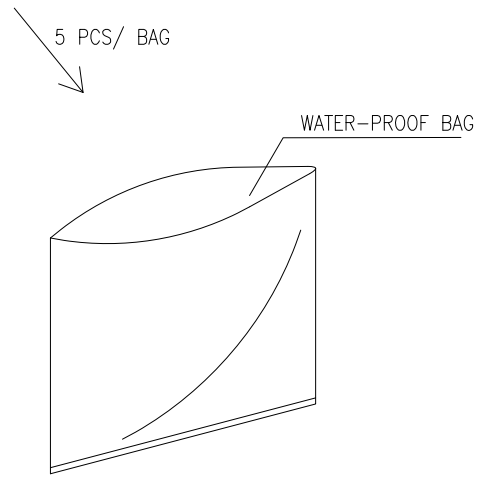
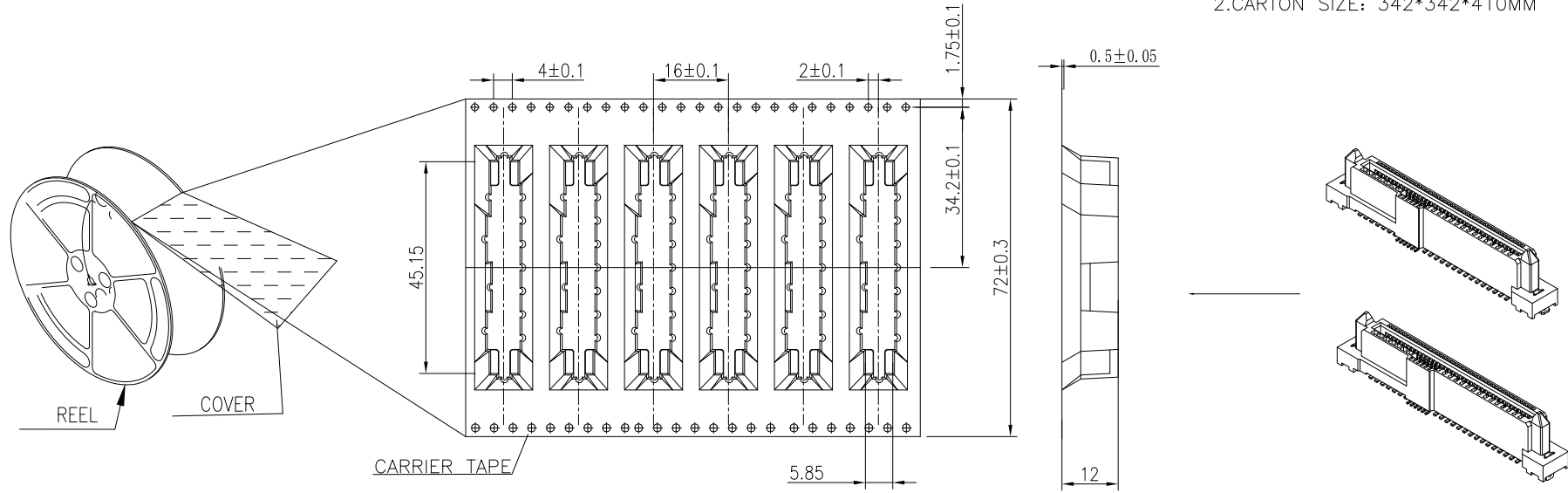


RECOMMENDED PCB LAYOUT (TOP VIEW)
TOLERANCE: ±0.05mm

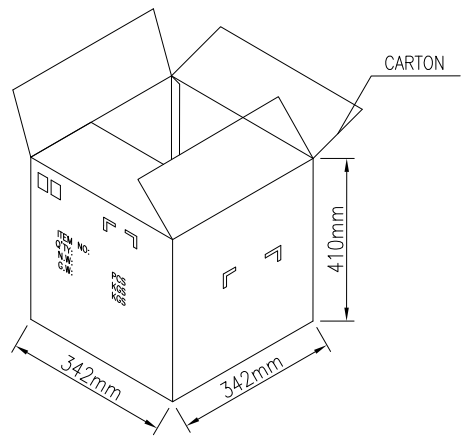
REV		Units		mm	Scale	1:1	Drawing By	Date	WIN WIN PRECISION IND. CO., LTD. TEL: 886-2-22994155 FAX: 886-2-22994157	
Tolerance Unless Otherwise Specified		Lily		08/28-'23		Reviewed By	Date	Date	08/28-'23	Title
X.X = ±0.20		Lulu		08/28-'23		Approval By	Date	Sheet	1 of 1	
X.XX = ±0.15		Robert		08/28-'23		Third Angle Projection		Drawing No.		WSFF5-68F5L1PU6T45
X.X' = ±3'								REV		A


REV.	ECN.NO.	DATE
A	RELEASED	08/28-'23

NOTE:
 1.PACKING:300PCS/REEL,1500PCS/CTN
 2.CARTON SIZE: 342*342*410MM



1 BAG/ CTN



REV				Drawing By		Date		 WIN WIN PRECISION IND. CO., LTD. TEL: 886-2-22994155 FAX: 886-2-22994157	
Units	mm	Scale	1:1	Lily	08/28-'23				
Tolerance Unless Otherwise Specified				Reviewed By		Date		Date	08/28-'23
X.X	=±0.20			Lulu	08/28-'23	Sheet	2 of 1	Title	PCI-E SAS 68PIN (SFF-8639)
X.XX	=±0.15			Approval By		Date		Third Angle Projection	
X.X'	=±3'			Robert	08/28-'23			Drawing No.	WSFF5-68F5L1PU6T45
								REV	A