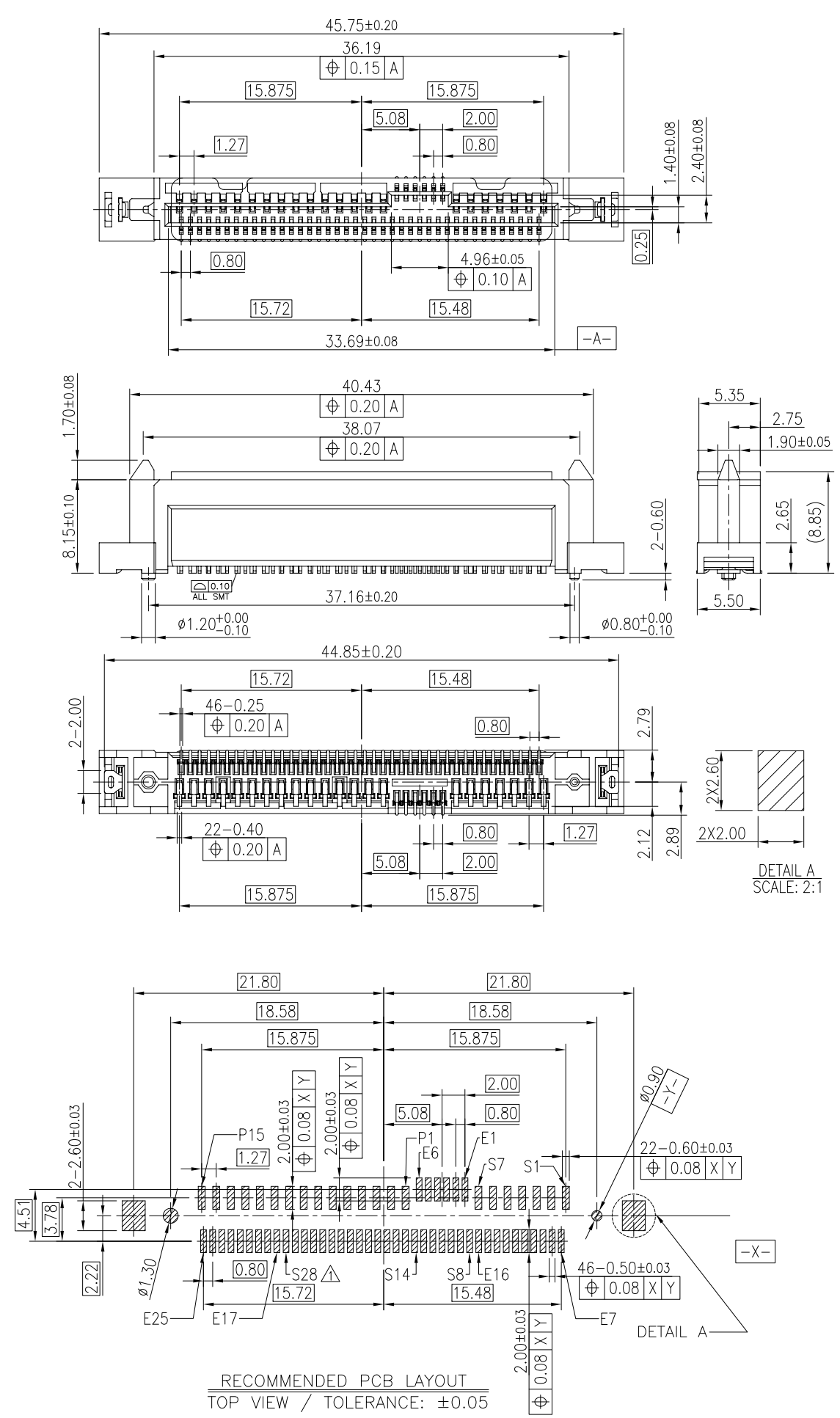


REV.	ECN.NO.	DATE
A	RELEASED	04/16-'20



NOTE

***Material**

Housing : hige Thermoplastic, UL94V-0,Black.
 Cap : hig Thermoplastic, UL94V-0,Black.
 Contact: Copper Alloy,
 Plating : Au plating on contact ared;
 Sn(100u" Min) plating on solder tail;
 Ni(50u" Min.) underplating overall,
 Board Lock : Copper Alloy,
 Plating: Sn(100u" Min) plating on solder tail;
 Ni(50u" Min.) underplating overall.

***Mechanical**

Insertion Force: 59N max.
 Withdrawal Force: 6N min.
 Durability: 500 cycles

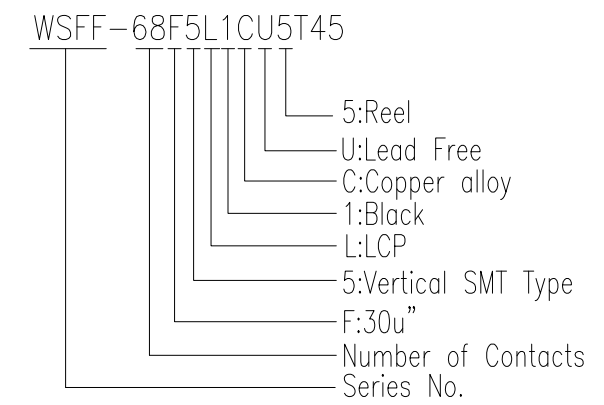
***Electrical Specification**

Current Rating: 1.5 Ampere per contact;
 Contact Resistance: 30 mΩ max.
 Insulation Resistance: 1000 MΩ min.
 Dielectric Withstanding Voltage: 500 VAC.

***Environmental**

Operating Temperature: 0°C to +55°C

***How to order**



REV	Units mm Scale 1:1		Drawing By Youko	Date 04/16-'16	WIN WIN PRECISION IND. CO., LTD. TEL: 886-2-22994155 FAX: 886-2-22994157
	Tolerance Unless Otherwise Specified		Reviewed By Lulu	Date 04/16-'16	
	X.X	=±0.20	Approval By Robert	Date 04/16-'16	Date 04/16-'20
	X.XX	=±0.15			Sheet 1 of 1
	X.X°	=±3°			Third Angle Projection
					Title PCI-E SAS 68PIN (SFF-8639) Vertical Type
					Drawing No. WSFF-68F5L1CU5T45
					REV A