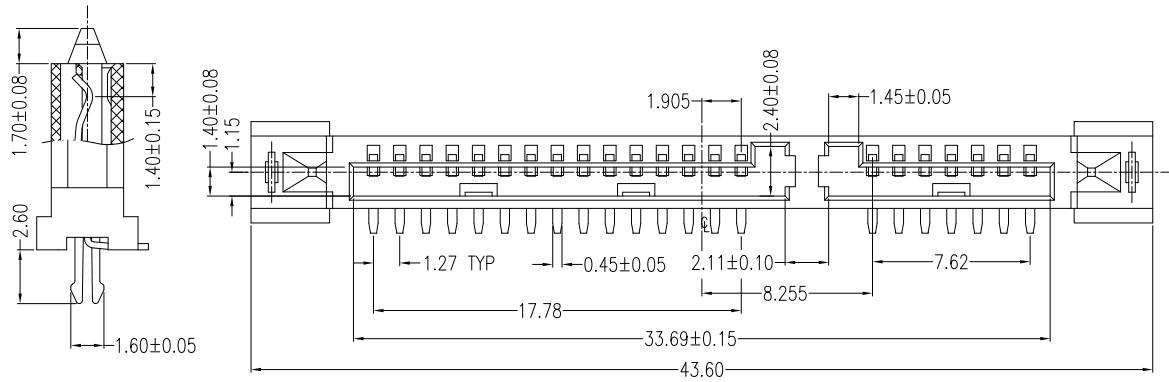


REV.	ECN.NO.	DATE
A	RELEASED	11/08-'04
B	Add Lead Free	12/22-'05
C	Modify Dimension & Notes	08/30-'12



Pin NO.	Power Name	Pin NO.	Power Name
P1	V33	P9	V5
P2	V33	P10	GND
P3	V33	P11	DAS/DSS
P4	GND	P12	GND
P5	GND	P13	V12
P6	GND	P14	V12
P7	V5	P15	V12
P8	V5		

Pin NO.	Signal Name
S1	GND
S2	A+
S3	A-
S4	GND
S5	B-
S6	B+
S7	GND

Notes:

***Material**

Housing: LCP+50%G.F, UL 94V-0 rated; Color: Black.
 Contact: Phosphor Bronze
 Plating: Au Plating on Contact Ared, Sn (100u* Min.) plating
 On solder tail, Ni (40u* Min.) underplating overall.
 Harpoon: Brass
 Plating: Sn(100u*Min)Plating Over Ni(50u*Min)

***Mechanical**

Insertion Force: 45N Max.
 Withdrawal Force: 10N Min.
 Durability: 500 Cycles

***Electrical Specification**

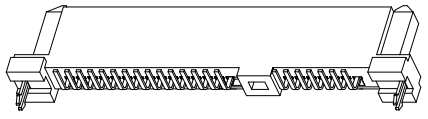
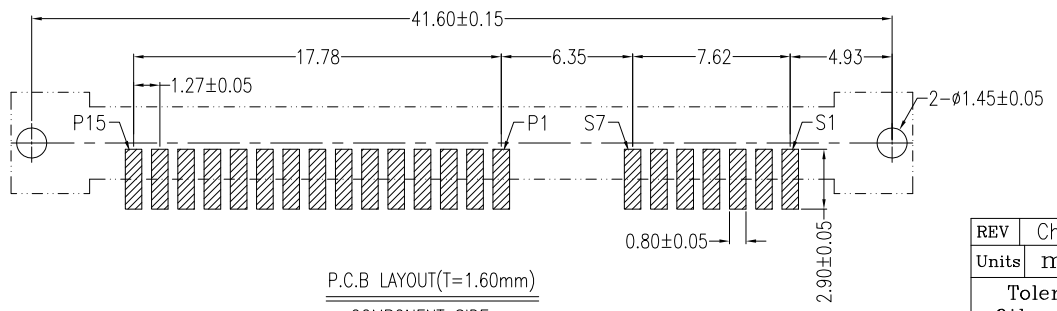
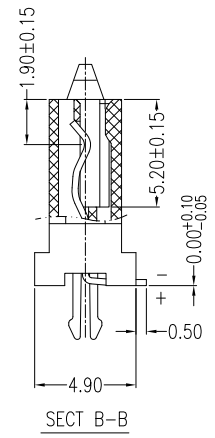
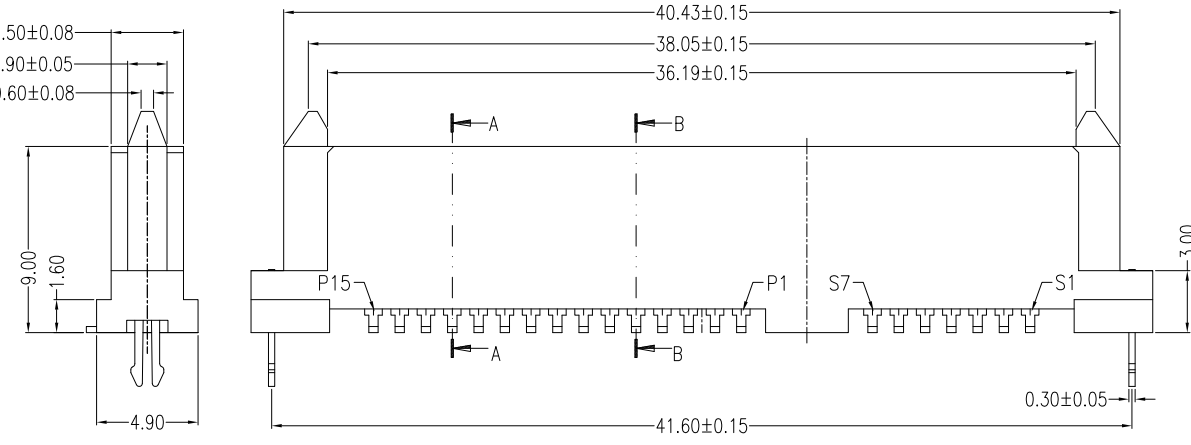
Current Rating: 1.5 Ampere per Contact
 Contact Resistance: 30mΩ Max.
 Insulation Resistance: 1000MΩ Min.
 Dielectric Withstanding Voltage: 500V AC

***Environmental**

Operating Temperature: -55°C to +85°C

***How To Order**

WATS-22DL1P8U
 W:Winning Mark; Blank: No Mark
 U:Lead Free
 8:Reverse SMT(Hight 10.70)
 P:Phosphor Bronze
 1:Black
 L:LCP
 A:>0.8u" D:15u" F:30u"
 NO. of Contacts
 Series No.



REV	Change Dimension: 1.75±0.05 → 1.60±0.05	
Units	mm	Scale
Tolerance Unless Otherwise Specified		
.X	~	±0.38
.XX	~	±0.25
.XXX	~	±0.20
Angle	~	± 3°

WIN WIN PRECISION IND. CO., LTD. TEL: 886-2-22994155 FAX: 886-2-22994157		Date 08/30-'12 Sheet 1 of 1 Title WATS SATA7+15P REVERSE SMT FEMALE	
Drawing By xiaowenyu Date 08/30-'12 Reviewed By HQ Date 08/30-'12 Approval By Richard Date 08/30-'12		Third Angle Projection Drawing No. W041105 REV C	