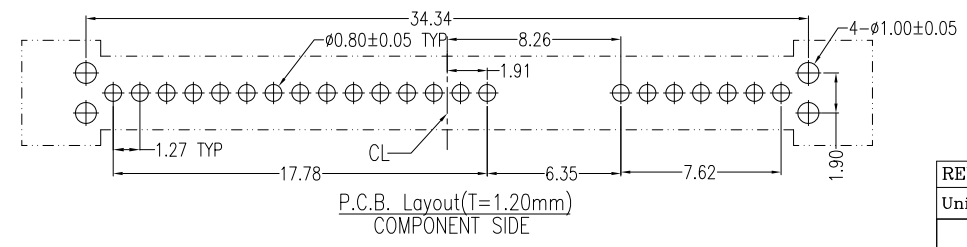
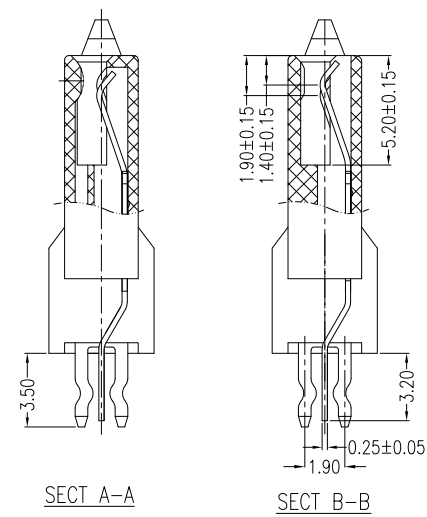
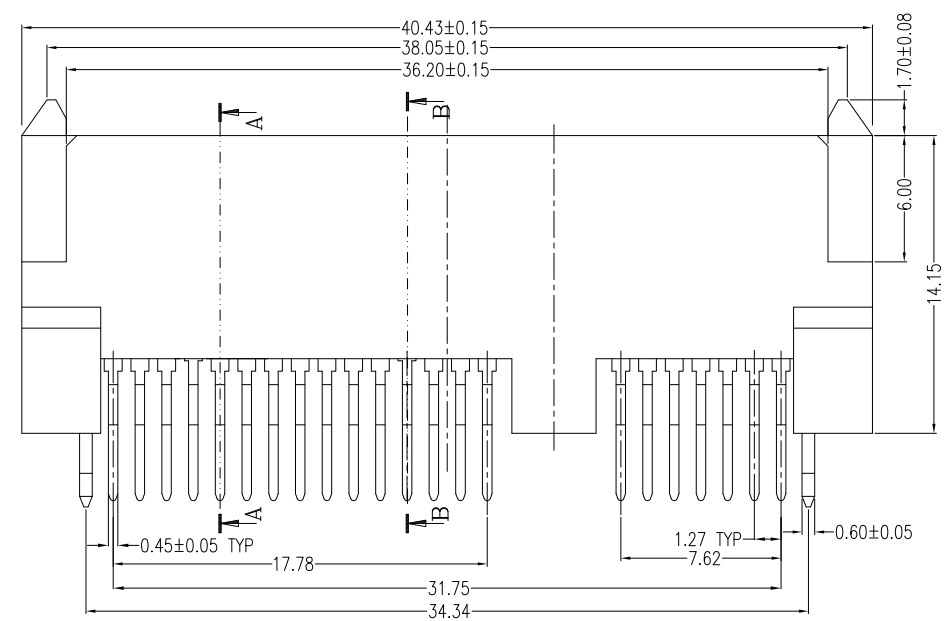
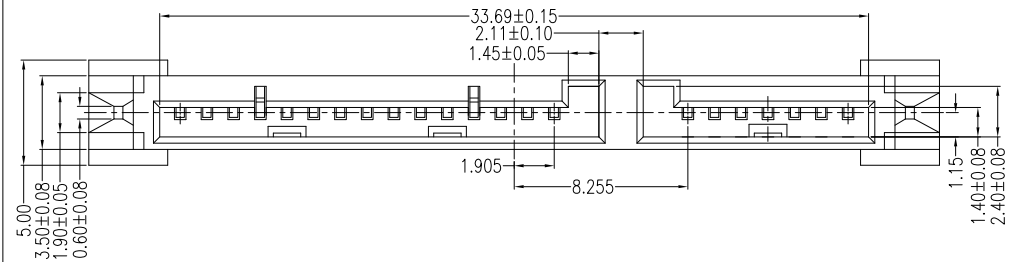


REV.	ECN.NO.	DATE
A	RELEASED	03/08/04
C	Add Notes Of Harpoon Add Dimension	03/19/13
D	Modify view	12/08-'14

Pin NO.	Signal Name	Pin NO.	Power Name	Pin NO.	Power Name
S1	GND	P1	V33	P9	V5
S2	A+	P2	V33	P10	GND
S3	A-	P3	V33	P11	DAS/DSS
S4	GND	P4	GND	P12	GND
S5	B-	P5	GND	P13	V12
S6	B+	P6	GND	P14	V12
S7	GND	P7	V5	P15	V12
		P8	V5		



Notes:

***Material**
Housing: LCP,Nylon46 UL 94V-0 Rated, Color: Black
Contact: Phosphor Bronze;
Plating: Au Plating on contact area;
Sn(100u"Min) plating on solder Tail;
Ni(40u"Min) contact underplating overall;
Harpoon: Brass;
Plating: Sn(100u"Min)Plating Over Ni(50u"Min).

***Mechanical**
Insertion Force: 45N Max;
Withdrawal Force:10N Min;
Durability: 500 cycles.

***Electrical Specification**
Current Rating: 1.5 Ampere per contact;
Contact Resistance: 30 mΩ Max;
Insulation Resistance: 1000 MΩ Min;
Dielectric Withstanding Voltage: 500V AC.

***Environmental**
Operating Temperature: -55°C to +85°C.

***How to order:**
WATS-22DL1P2U
W:Winning Mark
Blank:No Mark
U:Lead Free
2:Single Row DIP(High15.85mm)
P:Phosphor Bronze
1:Black
L:LCP N4:Nylon46
Au>0.8u" D:15u" F:30u"
Number of Contacts(7+15)
Straight Riser Card

REV	Modify view	Units	mm	Scale	1:1	Drawing By	Date	WIN WIN PRECISION IND. CO., LTD. D TEL: 886-2-22994155 FAX: 886-2-22994157			
	Tolerance Unless Otherwise Specified	.X	~	±0.35		XHQ	12/08-'14	Date	12/08-'14	Title	
		.XX	~	±0.25		Blue	12/09-'14	Reviewed By	12/08-'14		
		.XXX	~	±0.15		Richard	12/23-'13	Date	12/08-'14		
		Angle	~	± 3°				Approval By	12/08-'14		
								Sheet	1 of 1	Title	
								Third Angle Projection			
								Drawing No.	WATS-022MN-AN-N081	REV	D