

REV.	ECN.NO.	DATE
A	RELEASED	04/22-'04
G	Modify Notes.	04/10-'17
H	Newly added spec.	07/28-'22

Notes:

***Material**

Housing: LCP, UL 94V-0 rated; Color: Black.
 Contact: Phosphor Bronze.
 Plating: Au plating on contact area.
 Sn(100u" Min) plating on solder tail.
 Ni(50u" Min) underplating overall.
 Harpoon: Brass.
 Plating: Sn(100u" Min) plating overall.
 Ni(50u" Min) underplating overall.

***Mechanical**

Insertion Force: 45N Max.
 Withdrawal Force: 10N Min.
 Durability: 500 Cycles

***Electrical Specification**

Current Rating: 1.5 Ampere per Contact
 Contact Resistance: 30mΩ Max.
 Insulation Resistance: 1000MΩ Min.
 Dielectric Withstanding Voltage: 500V AC

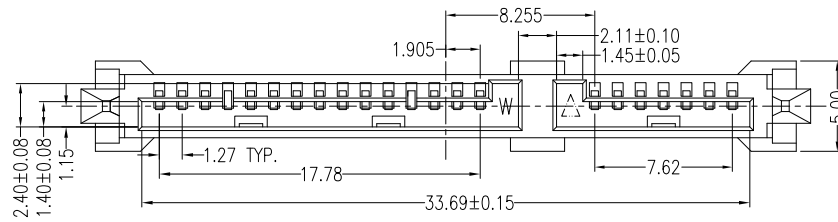
***Environmental**

Operating Temperature: -55°C to +85°C

***How to order:**

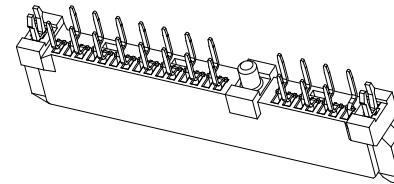
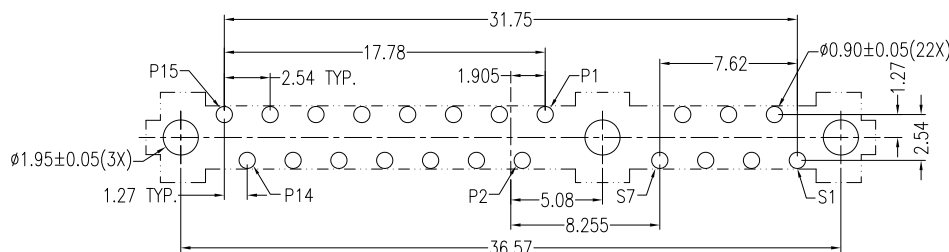
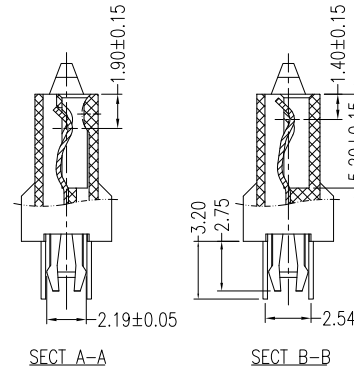
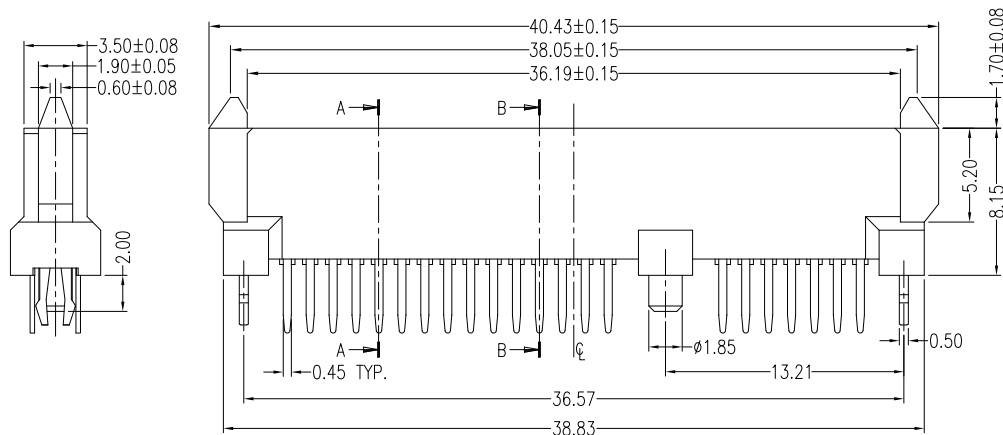
WATS-22DL1P1U

- W: Winning Mark Blank: No Mark
- U: Lead Free
- 1: Two Row DIP(High 9.85mm)
- N: Two Row DIP(High 9.85mm)(No Cap+Reel)
- P: Phosphor Bronze
- 1: Black
- L: LCP
- Au A: >0.8u" D: 15u" F: 30u"
- Number of Contacts
- Riser Card



Pin NO.	Signal Name
S1	GND
S2	A+
S3	A-
S4	GND
S5	B-
S6	B+
S7	GND

Pin NO.	Power Name	Pin NO.	Power Name
P1	V3.3	P9	V5
P2	V3.3	P10	GND
P3	V3.3	P11	DAS/DSS
P4	GND	P12	GND
P5	GND	P13	V12
P6	GND	P14	V12
P7	V5	P15	V12
P8	V5		



P.C.B LAYOUT(T=1.60mm)
COMPONENT SIDE

REV	Newly added spec.: N: Two Row DIP(High 9.85mm)(No Cap+Reel).			Drawing By	Date	WIN WIN PRECISION IND. CO., LTD.		
Units	mm	Scale	2:5	zcc	07/28-'22	TEL: 886-2-22994155 FAX: 886-2-22994157		
Tolerance Unless Otherwise Specified				Reviewed By	Date	Date	07/28-'22	Title Straight Serial ATA Two Row DIP Type(High 9.85mm) Female
.X ~ ±0.35				Charles	07/28-'22	Sheet	1 of 1	
.XX ~ ±0.25				Approval By	Date	Third Angle Projection		
.XXX ~ ±0.15				Nancy	08/02-'22	Drawing No.		WATS-22PS-AN-N085
Angle ~ ± 3°						REV		H