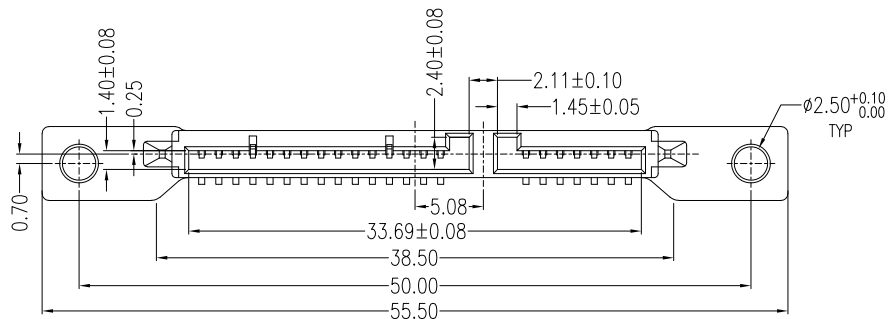


REV.	ECN.NO.	DATE
A	RELEASED	08/21/08
C	Delete ICT Logo	02/12-'12
D	Modify note information	08/10-'23



Signal Segment	
Name	Type
S1	GND
S2	A+
S3	A-
S4	GND
S5	B-
S6	B+
S7	GND

Power Segment	
Name	Type
P1	V3.3
P2	V3.3
P3	V3.3
P4	GND
P5	GND
P6	GND
P7	V5
P8	V5
P9	V5
P10	GND
P11	DAS/DSS
P12	GND
P13	V12
P14	V12
P15	V12

Notes:

***Material**

Housing: LCP, UL 94V-0.
 Contact: Phosphor Bronze.
 Plating: Au Plating on contact area.
 Sn (100u"Min) plating on solder tail.
 Ni (50u"Min) underplating overall.

***Mechanical**

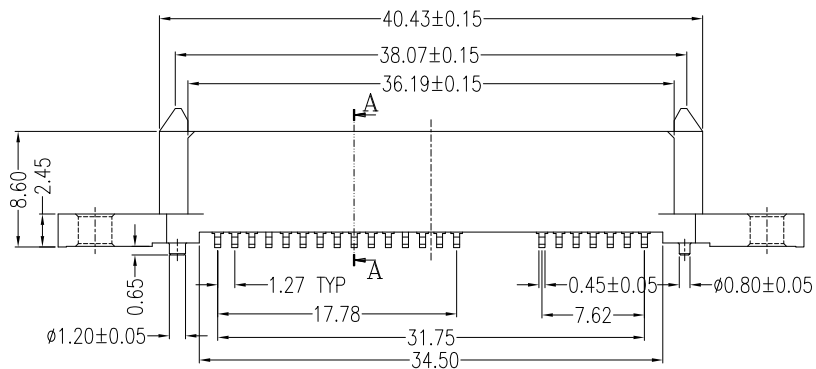
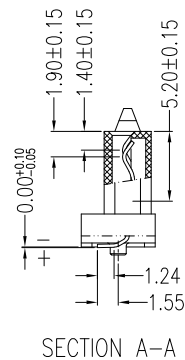
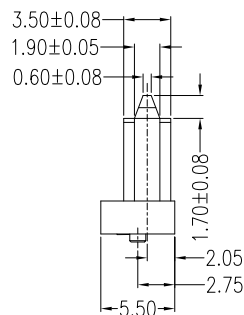
Insertion Force: 45N max.
 Withdrawal Force: 4N min.
 Durability: 500 cycles

***Electrical Specification**

Current Rating: 1.5 Ampere per contact.
 Contact Resistance: 30 mΩ max.
 Insulation Resistance: 1000 MΩ min.
 Dielectric Withstanding Voltage: 500V AC.

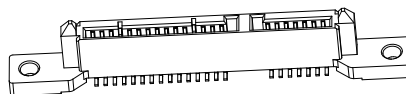
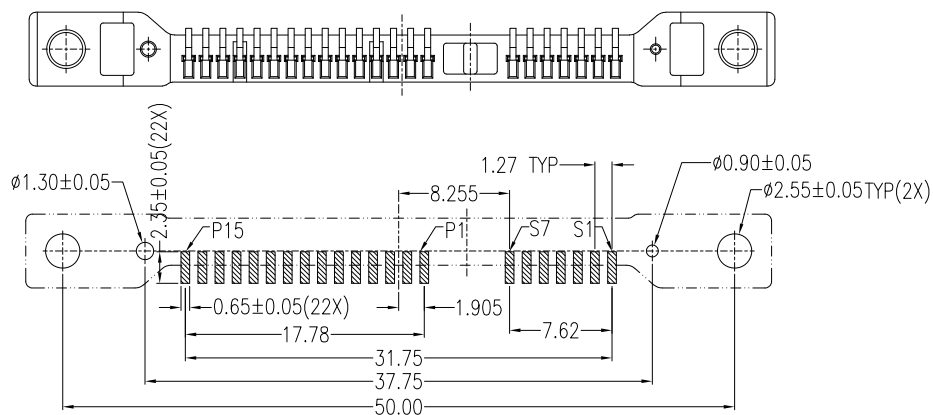
***Environmental**

Operating Temperature: -55°C to +85°C.



***How to order**

WATRS-22D8L1PU3
 3: Tray
 U: Lead Free
 P: Phosphor Bronze
 1: Black
 L: LCP
 8: Screw Type(SMT)
 Au A: >0.8u" D: 15u" F: 30u"
 Number of Contacts
 Series No.



REV	Modify note information, Ni(40u"Min) → Ni(50u"Min).		Units	mm	Scale	2:1	Drawing By	Date	 WIN WIN PRECISION IND. CO., LTD. TEL: 886-2-22994155 FAX: 886-2-22994157
							ZZC	8/11-'23	
							Reviewed By	Date	Date
							Charles	8/12-'23	08/10-'23
							Approval By	Date	Sheet
							Nancy	8/14-'23	1 of 1
									Title
									S ATA 7+15P Vertical SMT Screw Type Female
									Third Angle Projection
									Drawing No.
									WATRS-22PS-AN-W243
									REV
									D

P.C.B LAYOUT (T=1.60)
COMPONENT SIDE