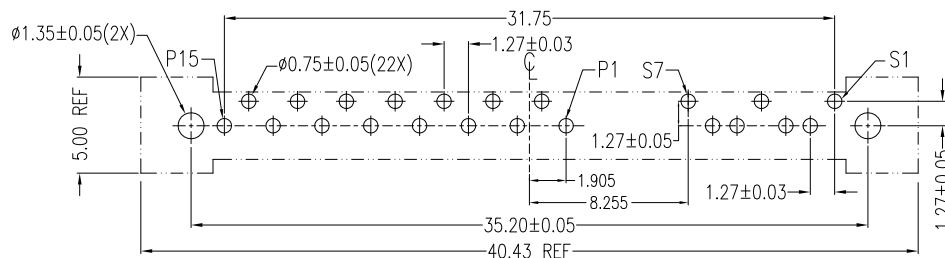
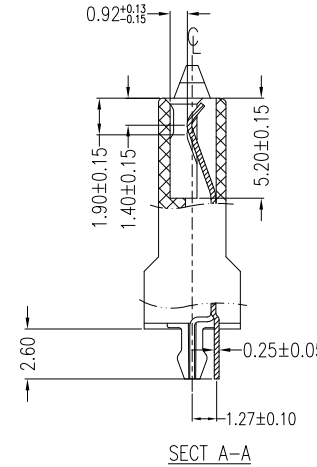
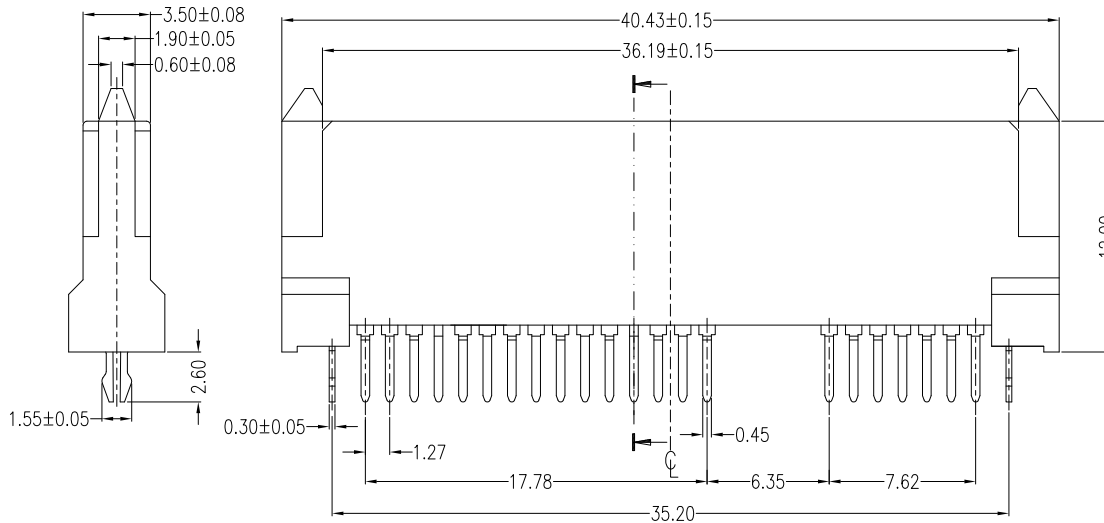
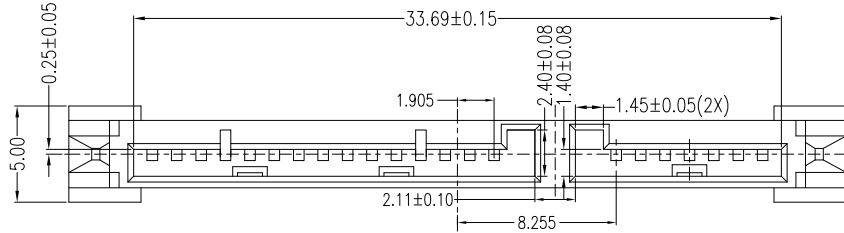


REV.	ECN.NO.	DATE
A	RELEASED	11/12-'07
E	Change Notes	02/21-'12
F	Modify the width of the copper column harpoon	07/29-'22

Pin NO.	Power Name	Pin NO.	Power Name
P1	V33	P9	V5
P2	V33	P10	GND
P3	V33	P11	DAS/DSS
P4	GND	P12	GND
P5	GND	P13	V12
P6	GND	P14	V12
P7	V5	P15	V12
P8	V5		

Pin NO.	Signal Name
S1	GND
S2	A+
S3	A-
S4	GND
S5	B-
S6	B+
S7	GND



P.C.B. LAYOUT(T=1.60mm)
COMPONENT SIDE

NOTES

***Material**

Housing: LCP, UL94V-0.
 Contact: Phosphor Bronze.
 Plating: Au Plating on Contact Area.
 Sn (100u" Min.) plating on solder tail.
 Ni (40u" Min.) underplating overall.
 Harpoon: Brass.
 Plating: Sn (100u" Min.) Plating Overall.
 Ni (50u" Min.) underplating overall.

***Mechanical**

Insertion Force: 45N max.
 Withdrawal Force: 10N min.
 Durability: 500 cycles.

***Electrical Specification**

Current Rating: 1.5 Ampere per contact.
 Contact Resistance: 30 Milliohms max.
 Insulation Resistance: 1000 megohms min.
 Dielectric Withstanding Voltage: 500 V AC.

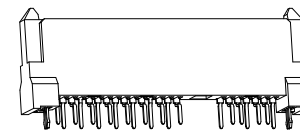
***Environmental**

Operating Temperature: -55°C to +85°C.

***How to order**

WATRS-22D1L1PU3

- 3: Tray
- U: Lead Free
- P: Phosphor Bronze
- 1: Black
- L: LCP
- 1: Double Row Dip(H:12.0)
- Au A: >0.8u" D: 15u"
- F: 30u"
- Number of Contacts
- Series No.



REV	Modify harpoon width: 1.60 → 1.55		Units	mm	Scale	5:2	Drawing By	Date	WIN WIN PRECISION IND. CO., LTD.D	
							Gz	07/29-'22	TEL: 886-2-22994155 FAX: 886-2-22994157	
Tolerance Unless Otherwise Specified							Reviewed By	Date	Date 07/29-'22	
.X ~ ±0.35							Charles	08/02-'22	Sheet	1 of 1
.XX ~ ±0.25							Approval By	Date	Title	
.XXX ~ ±0.15							Nancy	08/10-'22	SATA 7+15P Double Row	
Angle ~ ± 3°									DIP Type(12.0) Female	
								Third Angle Projection	Drawing No. WATRS-22PS-AN-W206	
								REV	F	