

Signal Segment	
Name	Type
S1	GND
S2	A+
S3	A-
S4	GND
S5	B-
S6	B+
S7	GND

Power Segment	
Name	Type
P1	V3.3
P2	V3.3
P3	V3.3
P4	GND
P5	GND
P6	GND
P7	V5
P8	V5
P9	V5
P10	GND
P11	DAS/DSS
P12	GND
P13	V12
P14	V12
P15	V12

REV.	ECN.NO.	DATE
A	RELEASED	11/05-'07
B	The bottom of the post add plastic	11/28-'12
C	Modify P1,P2,P3 PIN Type	10/15-'20

Notes:

**\*Material**

Housing: LCP, UL 94V-0 rated; Color: Black.  
 Contact: Phosphor Bronze  
 Plating: Au Plating on contact area  
 Sn(100u" Min) plating on solder Tail.  
 Ni(40u" Min) contact underplating overall.

**\*Mechanical**

Insertion Force: 45N max.  
 Withdrawal Force: 10N min.  
 Durability: 500 cycles

**\*Electrical Specification**

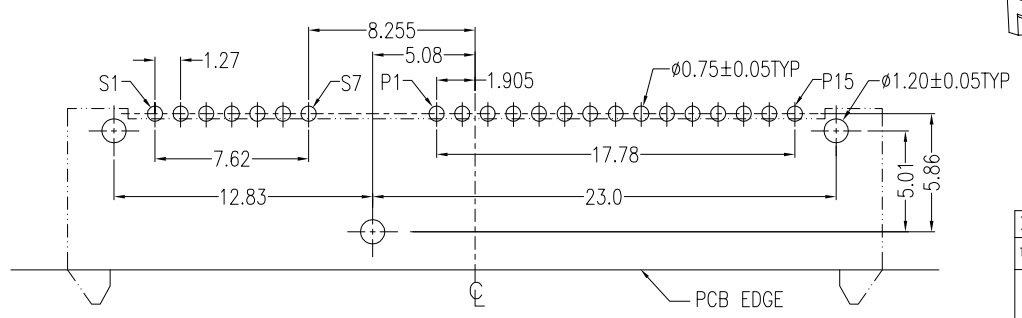
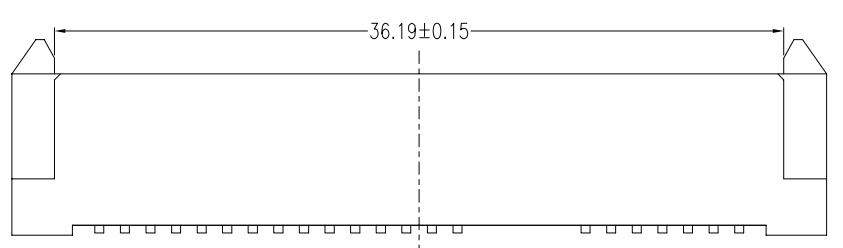
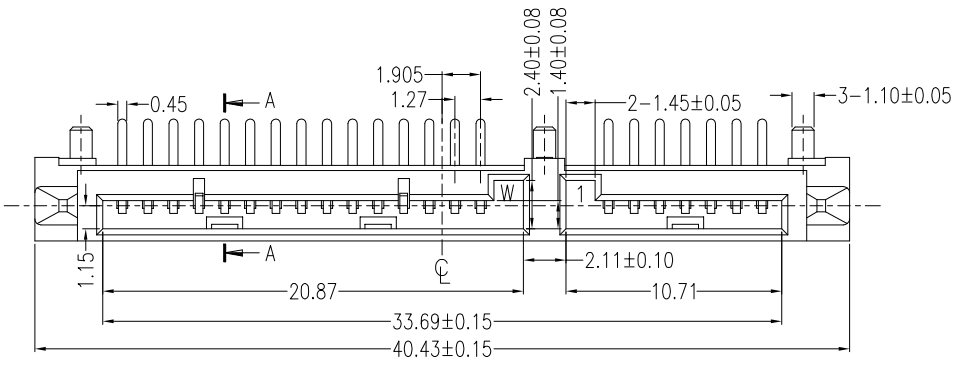
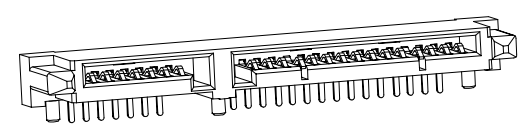
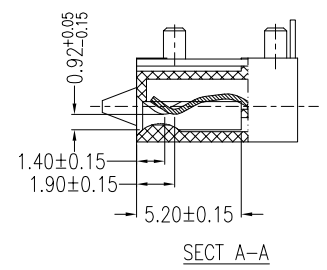
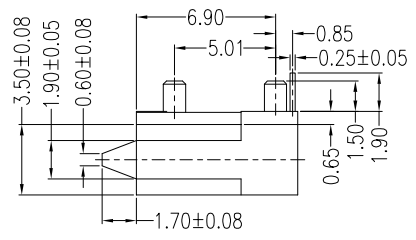
Current Rating: 1.5 Ampere per contact  
 Contact Resistance: 30 mΩ max.  
 Insulation Resistance: 1000 MΩ min.  
 Dielectric Withstanding Voltage: 500 VAC

**\*Environmental**

Operating Temperature: -55°C to +85°C

**\*How to order**

WATRP-22D2L1PU3  
 3:Tray  
 U:Lead Free  
 P:Phosphor Bronze  
 1:Black  
 L:LCP  
 2:DIP 90°(8.0)  
 Selective Au:A:>0.8u" D:15u"  
 Number of Contacts  
 Series No.



REV	Modify P1,P2,P3 PIN Type			Drawing By	Date	WIN WIN PRECISION IND. CO., LTD.			
Units	mm	Scale	2.5:1	ZK	10/15-'20	TEL: 886-2-22994155 FAX: 886-2-22994157			
Tolerance Unless Otherwise Specified				Reviewed By	Date	Date	10/15-'20	Title	S ATA 7+15P 90° DIP Female (8.0)
.X ~ ±0.35				LZX	10/15-'20	Sheet	1 of 1		
.XX ~ ±0.25				Approval By	Date	Third Angle Projection			
.XXX ~ ±0.15				Nancy	10/19-'20	Drawing No. WATRP-22PS-AN-W204			
Angle ~ ± 3°								REV	C