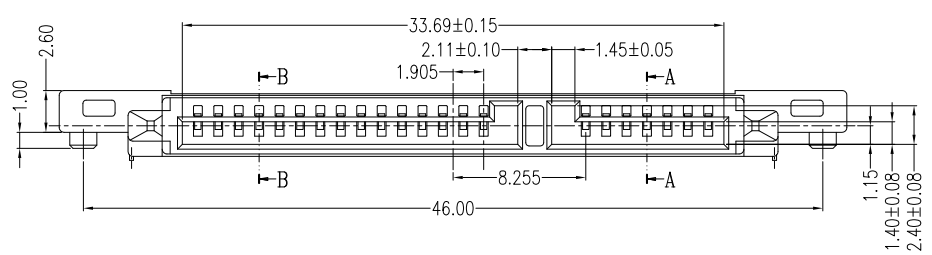


REV.	ECN.NO.	DATE
A	RELEASED	11/29/12



Signal Segment	
Name	Type
S1	GND
S2	A+
S3	A-
S4	GND
S5	B-
S6	B+
S7	GND

Power Segment			
Name	Type	Name	Type
P1	V3.3	P9	V5
P2	V3.3	P10	GND
P3	V3.3	P11	DAS/DSS
P4	GND	P12	GND
P5	GND	P13	V12
P6	GND	P14	V12
P7	V5	P15	V12
P8	V5		

Notes:

**\*Material**  
Housing: LCP+50%GF, UL 94V-0 rated;Color: Black.  
Contact: Phosphor Bronze  
Plating: Au Plating on contact area  
Sn(100u"Min) plating on solder Tail.  
Ni(40u"Min) contact underplating overall.  
Harpoon: Brass  
Plating: Sn(100u"Min)Plating Over Ni(50u"Min)

**\*Mechanical**  
Insertion Force: 45N max.  
Withdrawal Force:4N min.  
Durability: 500 cycles

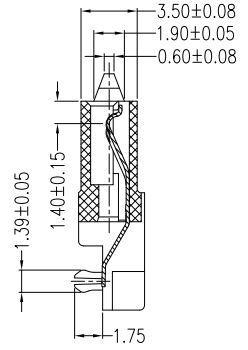
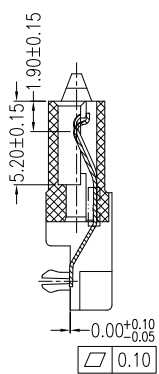
**\*Electrical Specification**  
Current Rating: 1.5 Ampere per contact  
Contact Resistance: 30 mΩ max.  
Insulation Resistance: 1000 MΩ min.  
Dielectric Withstanding Voltage: 500 V AC

**\*Environmental**  
Operating Temperature: -55°C to +85°C

**\*How to order:**

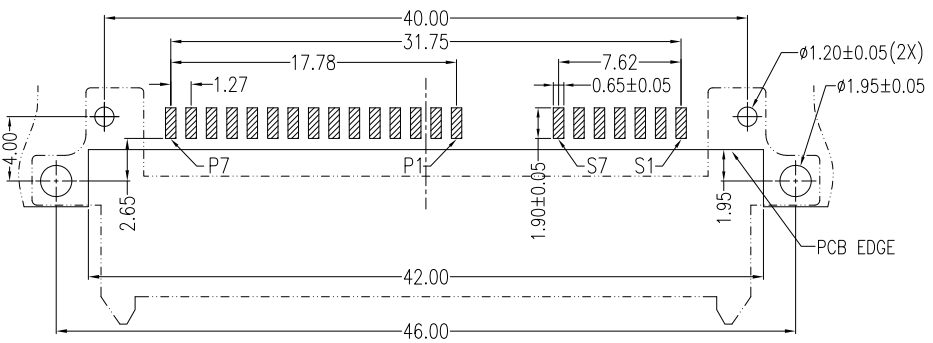
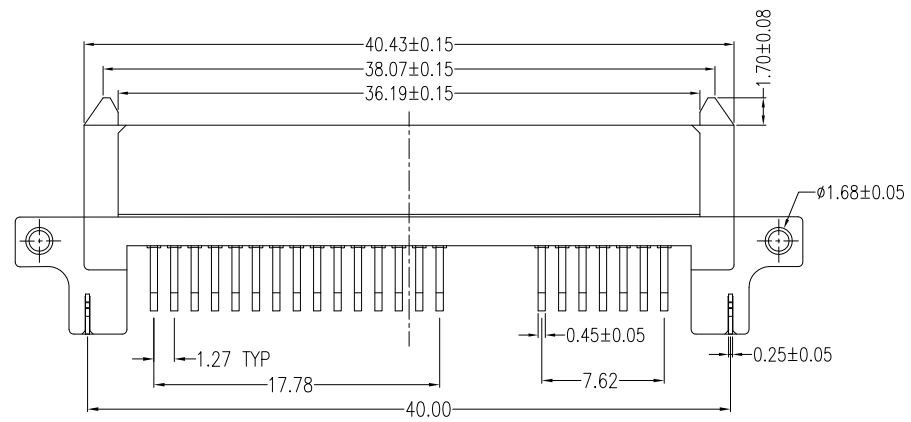
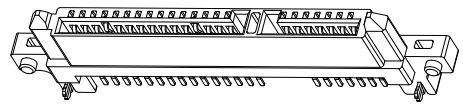
WATRP-22B4L1PH3

- Blank: Tube 3:Tray 5:Reel
- H: Halogen Free
- P: Phosphor Bronze
- 1: Black
- L: LCP
- 4: Subside SMT(2.60)
- Selective Au:A:>0.8u" B:5u" D:15u" F:30u"
- NO. of Contacts
- Series No.



SECTION A-A

SECTION B-B



P.C.B LAYOUT (T=1.00)  
COMPONENT SIDE

REV		Units	mm	Scale	2:1	Drawing By	Date
						Violet	11/29-'12
		Tolerance Unless Otherwise Specified				Reviewed By	Date
		.X	~	±0.38		Rosh	11/29-'12
		.XX	~	±0.25		Approval By	Date
		.XXX	~	±0.20		Richard	11/30-'12
		Angle	~	± 3°			

**WIN WIN PRECISION IND. CO., LTD.**  
TEL: 886-2-22994155 FAX: 886-2-22994157

Date	11/29/12	Title	Serial ATA 7+15P Subside SMT Type Female (2.60)
Sheet	1 of 1		
Third Angle Projection		Drawing No.	WATRP-22PS-AN-N428
REV	A		