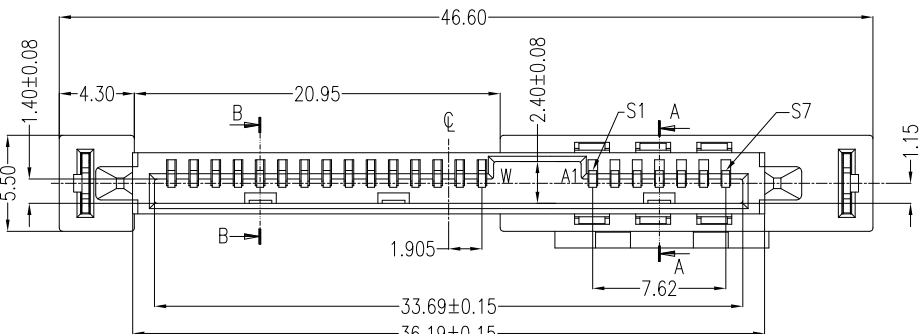


REV.	ECN.NO.	DATE
A	RELEASED	05/08-'09
F	Modify notes	04/10-'17
G	Modify Dimen	06/21-'17



Signal Segment		Power Segment			
Name	Type	Name	Type	Name	Type
S1	GND	P1	V3.3	P9	V5
S2	A+	P2	V3.3	P10	GND
S3	A-	P3	V3.3	P11	DAS/DSS
S4	GND	P4	GND	P12	GND
S5	B-	P5	GND	P13	V12
S6	B+	P6	GND	P14	V12
S7	GND	P7	V5	P15	V12
		P8	V5		

NOTES:

***Material**
Housing: LCP; Color: Black.
Contact: Phosphor Bronze
Plating: Au Plating on contact area
Sn(100u"Min) plating on solder Tail.
Ni(50u"Min) contact underplating overall.
Harpoon: Brass
Plating: Sn(100u" Min.) Plating Overall,
Ni(50u" Min.) Underplating Overall.

***Mechanical**

Insertion Force: 45N Max.
Withdrawal Force: 10N Min.
Durability: 500 cycles.

***Electrical Specification**

Current Rating: 1.5 Ampere Per Contact.
Contact Resistance: 30mΩ Max.
Insulation Resistance: 1000MΩ Min.
Dielectric Withstanding Voltage: 500 VAC

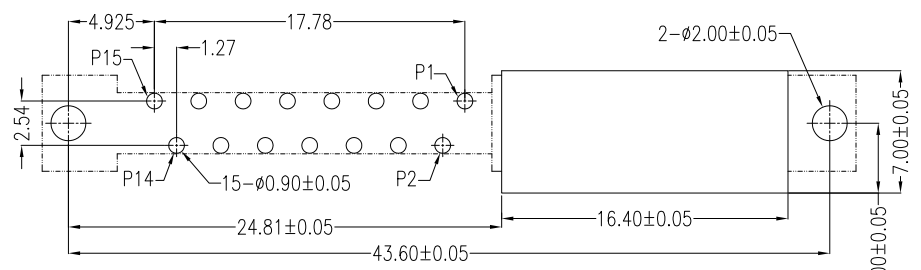
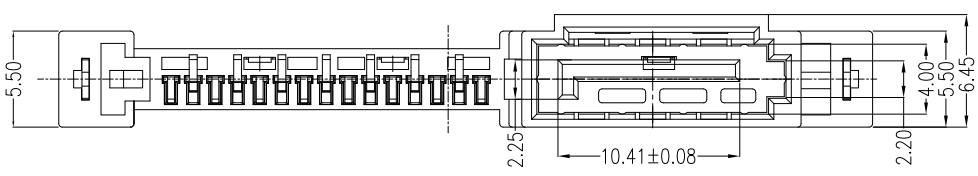
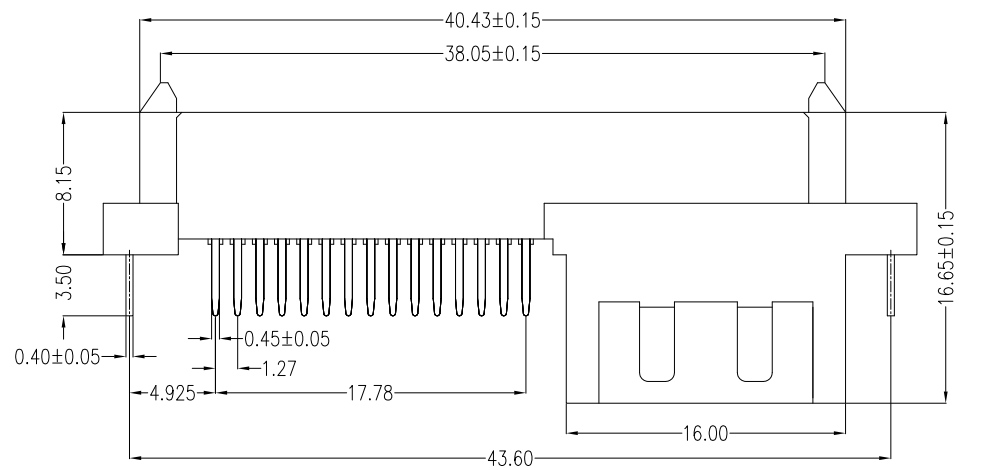
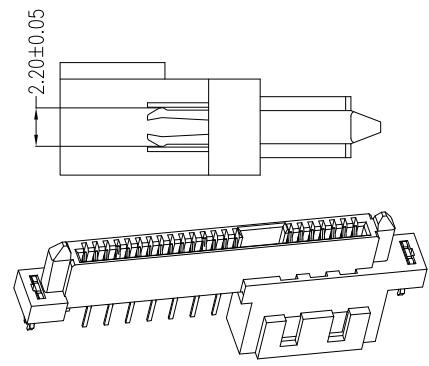
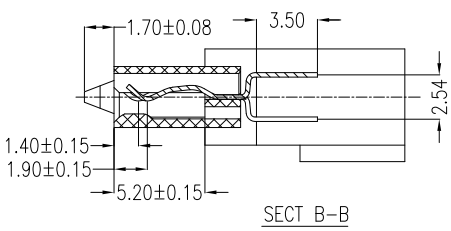
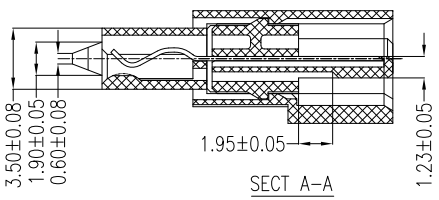
***Environmental**

Operating Temperature: -55°C to +85°C

***How To Order**

WATRM-29DNL1PAU

- W:Winning Mark
- N:No Mark
- U:Lead Free
- A: DIP Type(180°)
- P:Phosphor Bronze
- 1:Black
- L:LCP
- N:None key
- A:>0.8u"D:15u"F:30u"
- Number of Contacts
- Series NO.



REV	Modify	Dimen	Scale	Drawing By	Date	WIN WIN PRECISION IND. CO., LTD.	
		4.93 → 4.925	3:1	lulu	07/17-'17	TEL: 886-2-22994155 FAX: 886-2-22994157	
Tolerance Unless Otherwise Specified				Reviewed By	Date	Date	Serial ATA Straight of Female 7+15P and Male 7P Plug(None key)
.X ~ ±0.35				Rosh	07/17-'17	07/13-'17	
.XX ~ ±0.25				Approval By	Date	Sheet 1 of 1	
.XXX ~ ±0.15				Roger	07/17-'17	Third Angle Projection	
Angle ~ ± 3°						Drawing No.	WATRM-22PS-AN-N291



Title: Serial ATA Straight of Female 7+15P and Male 7P Plug(None key)

REV G