

REV.	DESCRIPTION	DATE
A	RELEASED	08/09-'12
C	Modify View and Notes	04/10-'17
D	Delete discontinued item No	03/02-'22

Pin NO.	Power Name	Pin NO.	Power Name
P1	V3.3	P9	V5
P2	V3.3	P10	GND
P3	V3.3	P11	DAS/DSS
P4	GND	P12	GND
P5	GND	P13	V12
P6	GND	P14	V12
P7	V5	P15	V12
P8	V5		

Pin NO.	Signal Name
S1	GND
S2	A+
S3	A-
S4	GND
S5	B-
S6	B+
S7	GND

Notes:

***Material**

Housing: LCP; UL94 V-0
 Contact: Phosphor Bronze
 Plating: Au Plating on contact area
 Sn(100u"Min) plating on solder Tail.
 Ni(50u"Min) contact underplating overall.
 Harpoon: Brass
 Plating: Sn(100u" Min.) Plating On Solder Tail;
 Ni(50u" Min.) underplating overall.

***Mechanical**

Insertion Force: 45N Max.
 Withdrawal Force: 10N Min.
 Durability: 500 Cycles

***Electrical Specification**

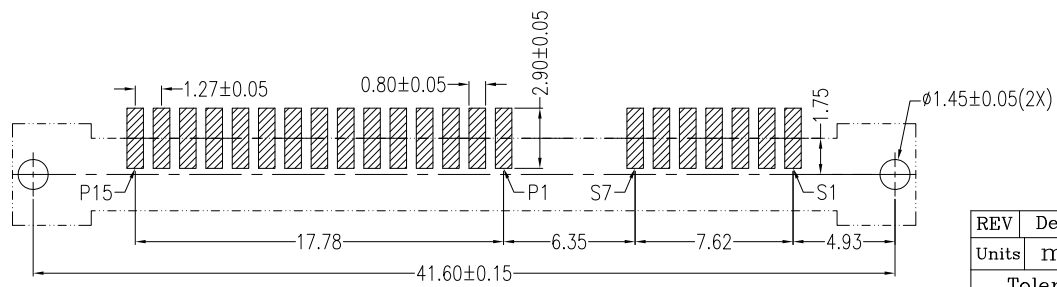
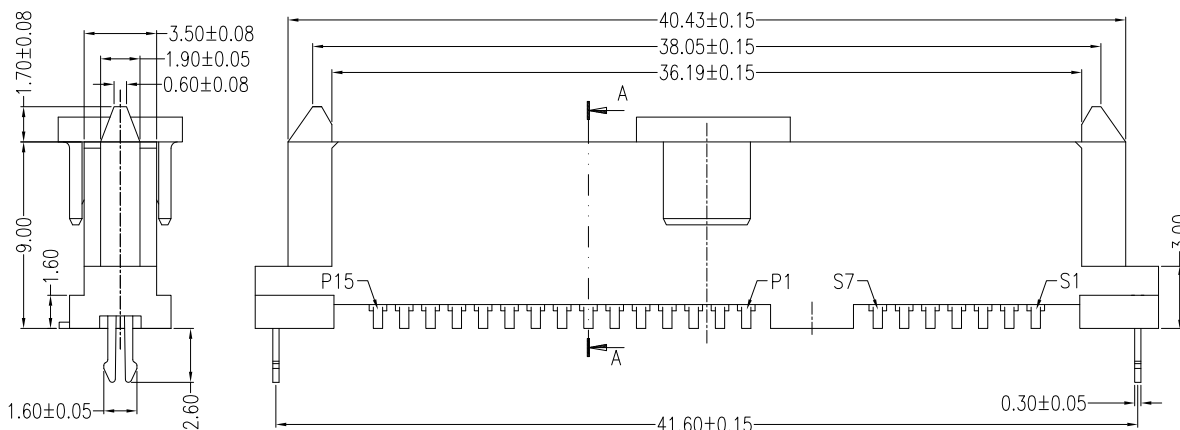
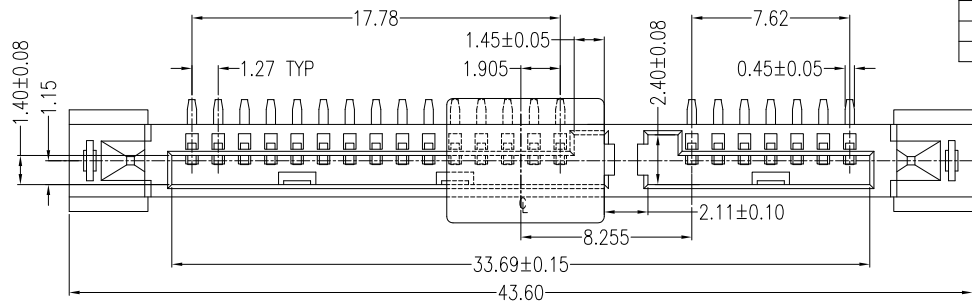
Current Rating: 1.5 Ampere Per Contact
 Contact Resistance: 30mΩ Max.
 Insulation Resistance: 1000MΩ Min.
 Dielectric Withstanding Voltage: 500V AC

***Environmental**

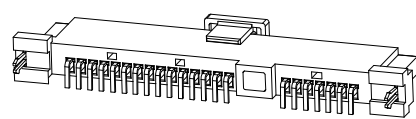
Operating Temperature: -55°C To +85°C

***How to Order**

WATRF-22D3L1PU5
 5:Reel,
 U:Lead Free
 P:Phosphor Bronze
 1:Black
 L:LCP
 3:SMT(With Cap)
 Au D:15u"
 NO. Of Contacts
 Series No.



PCB LAYOUT(T=1.60mm)
COMPONENT SIDE



REV	Delete discontinued item No: A: >0.8u"; F: 30u"; 3: Tray			Drawing By		Date		WIN WIN PRECISION IND. CO., LTD.					
Units	mm	Scale		ZT		03/02-'22		TEL: 886-2-22994155		FAX: 886-2-22994157			
Tolerance Unless Otherwise Specified				Reviewed By		Date		Date	03/02-'22	Title			
.X ~ ±0.35				Charles		03/02-'22		Sheet	1 of 1	Stand SATA 7+15P SMT Type Female(With Cap)			
.XX ~ ±0.25				Approval By		Date		Third Angle Projection					
.XXX ~ ±0.15				Nancy		03/10-'22							
Angle ~ ± 3°										Drawing No.	WATRF-22PS-AN-N417	REV	D