

REV.	ECN.NO.	DATE
A	RELEASED	06/09-'03
D	Modify the view	06/15-'15
E	Modify plating specifications	03/08-'17

Signal Segment		Power Segment			
Name	Type	Name	Type	Name	Type
S1	GND	P1	V3.3	P9	V5
S2	A+	P2	V3.3	P10	GND
S3	A-	P3	V3.3	P11	DAS/DSS
S4	GND	P4	GND	P12	GND
S5	B-	P5	GND	P13	V12
S6	B+	P6	GND	P14	V12
S7	GND	P7	V5	P15	V12
		P8	V5		

NOTES

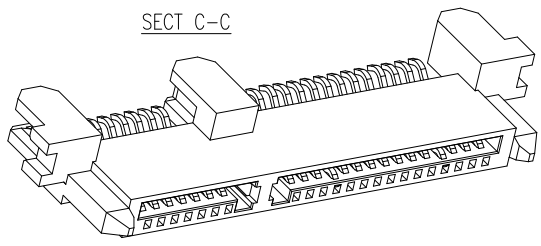
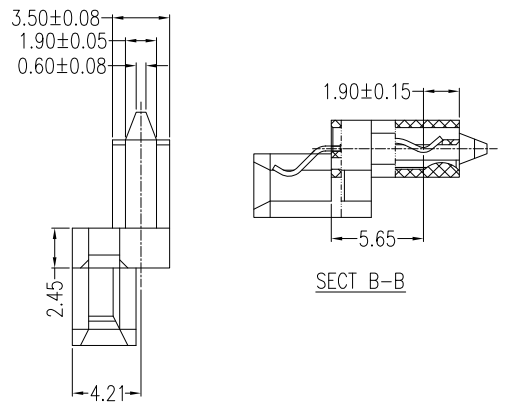
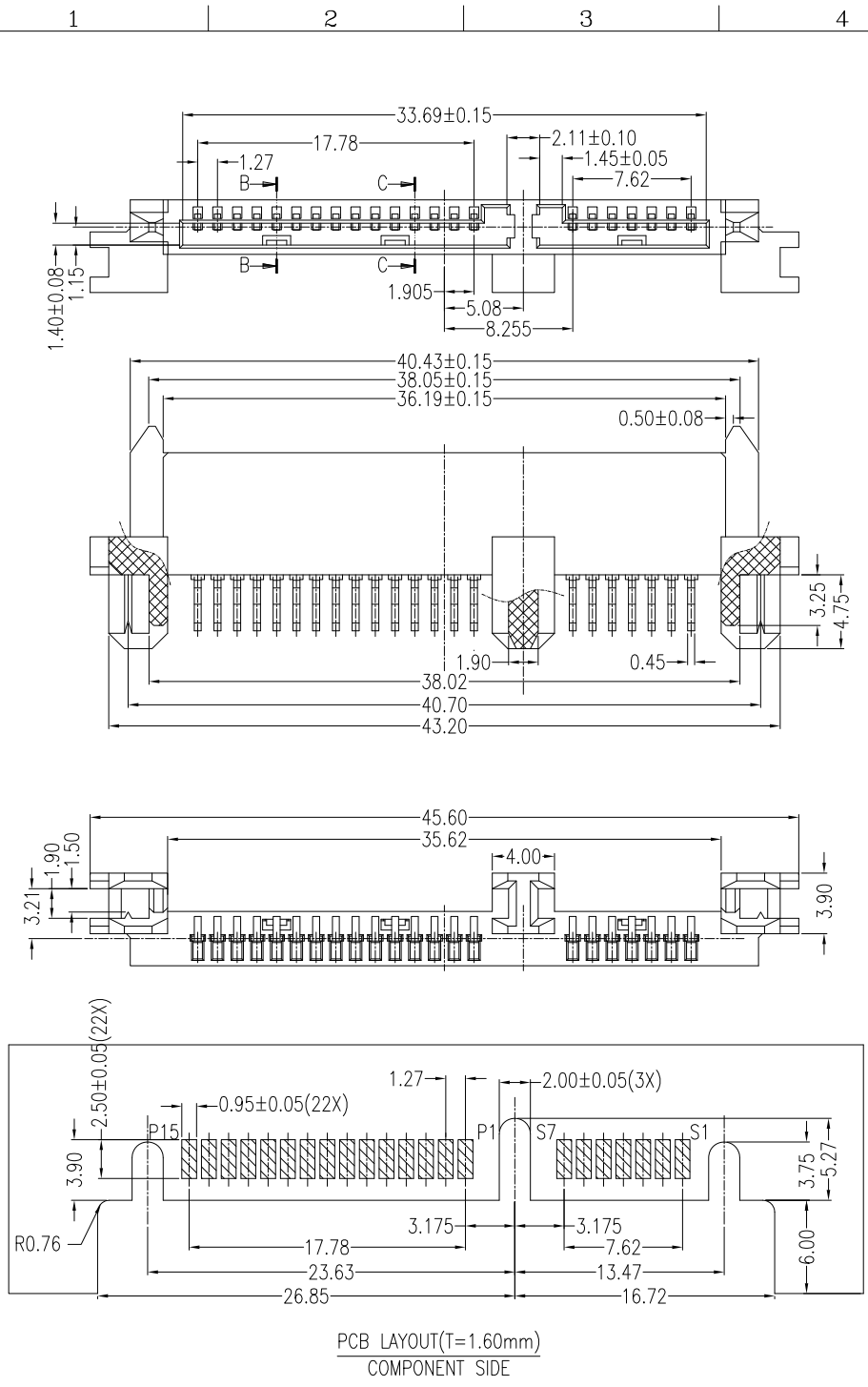
***Material**
Housing: LCP, UL 94V-0 Rated, Color: Black;
Contact: Phosphor Bronze
Plating: Au plating on contact area,
Sn(100u" min.) plating on solder tail,
Ni(50u" min.) underplating overall.

***Mechanical**
Insertion Force: 45N max.
Withdrawal Force: 10N min.
Durability: 500 cycles

***Electrical Specification**
Operation Voltage: 100 VAC Max.
Current Rating: 1.5 Ampere Per Contact.
Contact Resistance: 30 mΩ max.
Insulation Resistance: 1000 MΩ min.
Dielectric Withstanding Voltage: 500 VAC.

***Environmental**
Operating Temperature: -55°C to +85°C

***How to Order**
WATR-22DL1P6U
W:Winning Mark;Blank: No Mark
U:Lead Free
6:Straddle Type(Under Board)
P:Phosphor Bronze
1:Black
L:LCP
Au A:Flash" D:15u" F:30u"
NO. of Contacts
Serial ATA for Riser Card



REV	Modify plating specifications: Ni (40u" min.) → Ni (50u" min.)		Drawing By		Data	
Units	mm	Scale	5:3	ZOU	03/08-'17	
Tolerance Unless Otherwise Specified			Reviewed By		Data	
.X	~	±0.35	LDF		03/08-'17	
.XX	~	±0.25	Approval By		Data	
.XXX	~	±0.15	Roger		03/26-'17	
Angle	~	± 3°				

WIN WIN PRECISION IND. CO., LTD TEL: 886-2-2299455 FAX: 886-2-22994157		WATR-22P Sandard Female Straddle Type	
Date	03/08-'17	Sheet	1 of 1
Title		Drawing No. WATA-022MN-AN-N041	
REV	E	REV	E