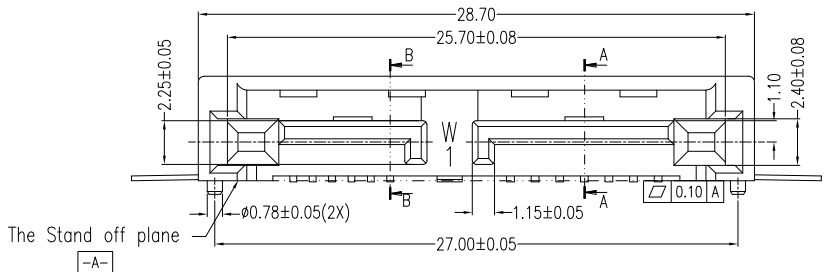


| REV. | ECN.NO. | DATE |
|------|-----------------------------|-----------|
| A | RELEASED | 03/05-'09 |
| F | Modify View of housing. | 03/14-'16 |
| G | Delete discontinued item No | 03/02-'22 |



| Pin Number | Signal Name | Pin Number | Power Line Designation |
|------------|-------------|------------|------------------------|
| S1 | GND | P1 | DP |
| S2 | A+ | P2 | +5V |
| S3 | A- | P3 | +5V |
| S4 | GND | P4 | MD |
| S5 | B- | P5 | GND |
| S6 | B+ | P6 | GND |
| S7 | GND | | |

Notes:

***Material**

Housing: LCP, UL94 V-0
 Contact: Brass
 Plating: Au Plating On Contact Area;
 Sn(100u" Min.) Plating On Solder Tail;
 Ni(40u" Min.) Underplating Overall
 Harpoon: Brass
 Plating: Sn(100u" Min.) Plating Overall;
 Ni(50u" Min.) Underplating Overall

***Mechanical**

Insertion Force: 45N max.
 Withdrawal Force: 10N min.
 Durability: 500 cycles

***Electrical Specification**

Current Rating: 1.5 Ampere per contact
 Contact Resistance: 30mΩ Max.
 Insulation Resistance: 1000MΩ Min.
 Dielectric Withstanding Voltage: 500V AC

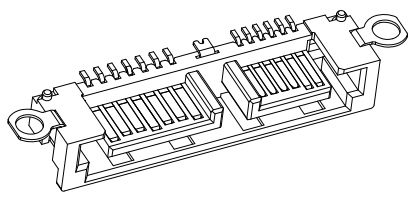
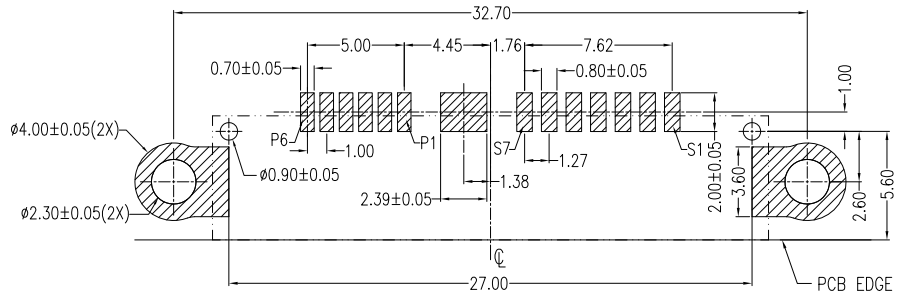
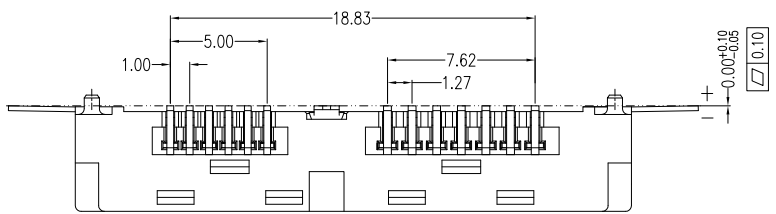
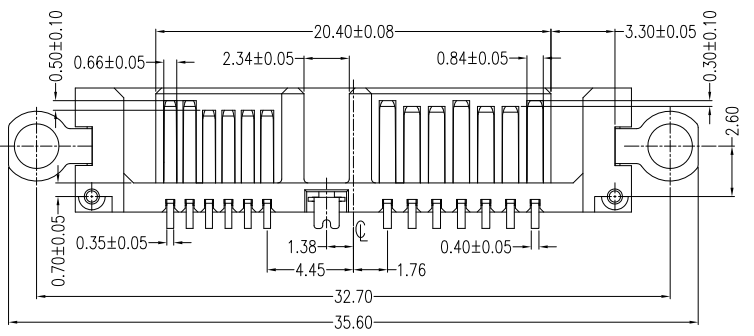
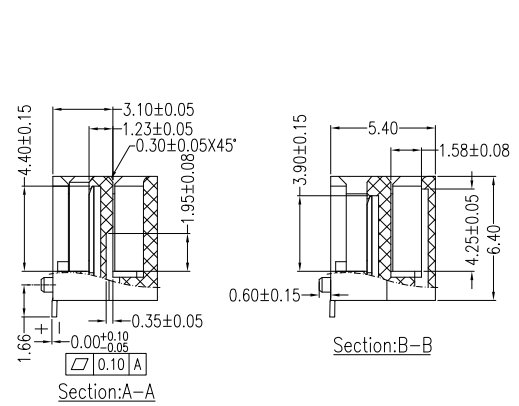
***Environmental**

Operating Temperature: -55°C to +85°C

***How to Order:**

WATQ-13B3L1BH5

- 5:Reel
- H:Halogen Free+RoHs Compliance
- B:Brass
- 1:Black
- L:LCP
- 3:SMT
- Au:B:5u";D:15u"
- NO. of Contacts
- Series No.



P.C.B LAYOUT(T=1.60mm)
 COMPONENT SIDE

| | | | | | | | |
|--------------------------------------|--|--------------------|--|------------------------------------|--|---|--|
| REV Delete discontinued item No | | Units mm Scale 8:3 | | Drawing By ZT Date 03/02-'22 | | WIN WIN PRECISION IND. CO., LTD. TEL 886-2-22994155 FAX 886-2-22994157 | |
| Tolerance Unless Otherwise Specified | | | | Reviewed By Charles Date 03/02-'22 | | Date 03/02-'22 | Title Slimline S ATA 7+6P R/A SMT Male |
| .X ~ ±0.35 | | | | Approval By Nancy Date 03/10-'22 | | Sheet 1 of 1 | |
| .XX ~ ±0.25 | | | | | | Third Angle Projection | Drawing No. WATQ-13PS-AN-N280 REV G |
| .XXX ~ ±0.15 | | | | | | | |
| Angle ~ ± 3° | | | | | | | |