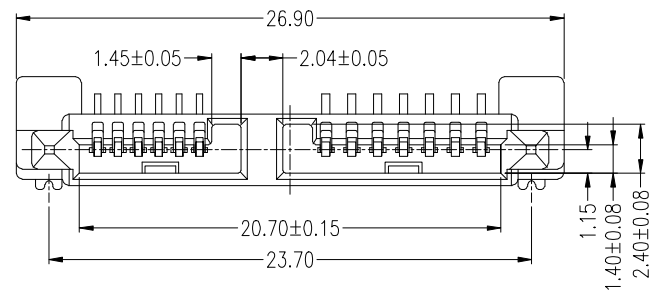


1 2 3 4 5 6 7 8

REV.	ECN.NO.	DATE
A	RELEASED	02/11/09
B	Add Lockkey	01/06-'10
C	Modify View of housing	03/16-'16

A

A



Pin Number	Signal Name	Pin Number	Power Line Designation
S1	GND	P1	DP
S2	A+	P2	+5V
S3	A-	P3	+5V
S4	GND	P4	MD
S5	B-	P5	GND
S6	B+	P6	GND
S7	GND		

Notes:

*Material

Housing: LCP, UL 94V-0 rated;
 Color: Black.
 Contact: Phosphor Bronze
 Plating: Gold Plating on contact area
 Su(100u" Min) plating on solder Tail.
 Ni(40u"Min) contact underplating overall.
 Harpoon: Brass
 Plating: Sn(100u"Min) plating on solder Tail.
 Ni(40u"Min) contact underplating overall.

*Mechanical

Insertion Force: 45N max.
 Withdrawal Force: 10N min.
 Durability: 500 cycles

*Electrical Specification

Current Rating: 1.5 Ampere per contact
 Contact Resistance: 30mΩ max.
 Insulation Resistance: 1000MΩ min.
 Dielectric Withstanding Voltage: 500 VAC

*Environmental

Operating Temperature: -55°C to +85°C

*Products in line with environmental regulations:

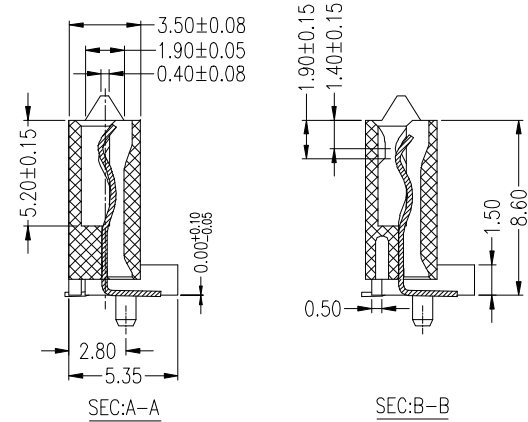
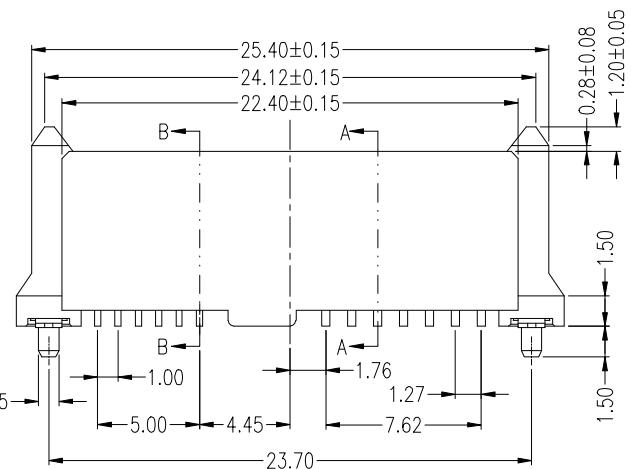
*How to Order:

WATN-13D6L1PU3

- 3: Tray
- U: Lead Free
- P: Phosphor Bronze
- 1: Black
- L: LCP
- 6: SMT(With Post)
- Selective Gold:A:Flash,D:15u", F:30u"
- NO. of Contacts
- Series No.

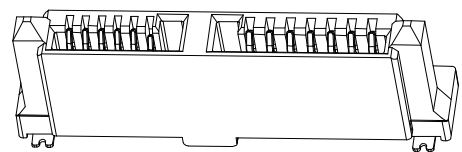
B

B



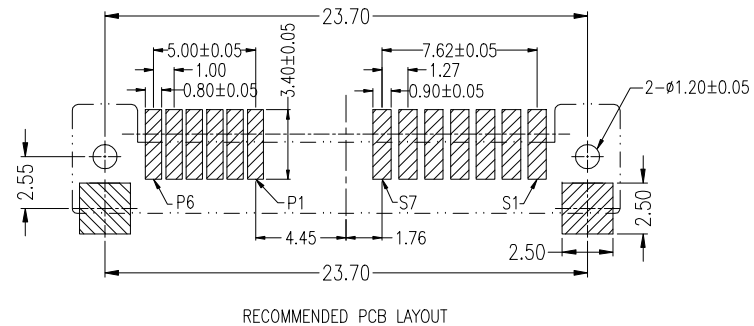
C

C



D

D



RECOMMENDED PCB LAYOUT

REV	Modify View of housing			Drawing By	Date	WIN WIN PRECISION IND. CO., LTD.		
	Units	mm	Scale	Hxy	03/16-'16	winning TEL: 886-2-22994155 FAX: 886-2-22994157		
	Tolerance Unless Otherwise Specified			Reviewed By	Date	Date	03/16-'16	Title S ATA 7+6P Vertical SMT Female (With Post)
	.X ~ ±0.35			kiven	03/17-'16	Sheet	1 of 1	
	.XX ~ ±0.25			Approval By	Date	Third Angle Projection		
	.XXX ~ ±0.15			Roger	03/22-'16	Drawing No. WATN-13PS-AN-W267		
	Angle ~ ± 3°					REV	C	

1 2 3 4 5 6 7 8