

REV.	ECN.NO.	DATE
A	RELEASED	08/28-'03
R	Modify the width of the copper column harpoon	07/28-'22
S	Add dimensions:0.10±0.05	10/16-'23

### NOTES

#### \*Material

Housing: Nylon46 , UL94V-0.  
 Contact: Brass.  
 Plating: Au plating on contact area.  
 Sn (100u" Min.) plating on solder tail.  
 Ni (40u" Min.) underplating overall.  
 Harpoon: Brass.  
 Plating: Sn (100u" Min.) Plating Overall.  
 Ni (50u" Min.) underplating overall.

#### \*Mechanical

Insertion Force: 45N Max.  
 Withdrawal Force: 10N Min.  
 Durability: 500 Cycles.

#### \*Electrical Specification

Current Rating: 1.5 Ampere Per Contact.  
 Contact Resistance: 30 mΩ Max.  
 Insulation Resistance: 1000 MΩ Min.  
 Dielectric Withstanding Voltage: 500V AC.

#### \*Environmental

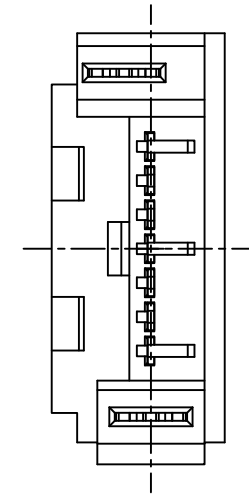
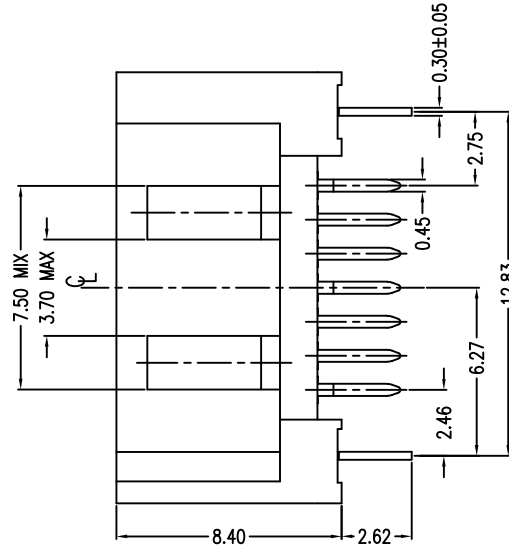
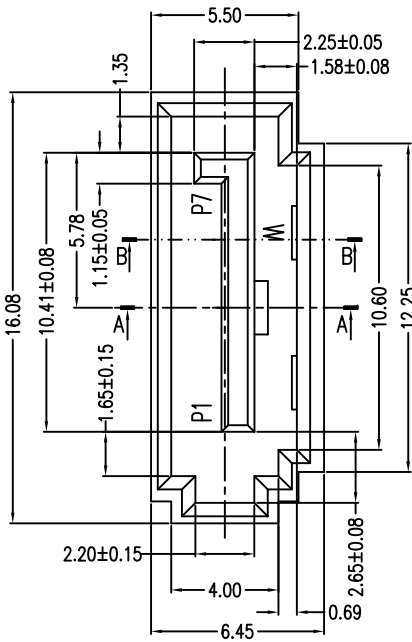
Operating Temperature: -55°C to +85°C.

#### \*How to Order

WATM-07ABN4B2B8UW

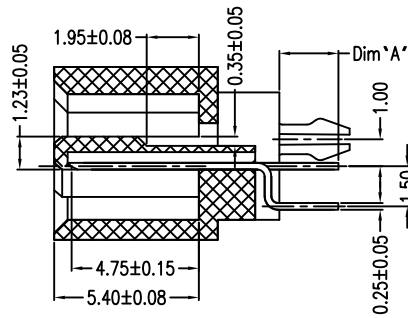
L Blank: Black 3: White 4: Blue(286U) 6: Red(187C)  
 9: Dark Grey(432U) P: Yellow(810C) N: Orange(158C)

W: Winning Mark Blank: No Mark  
 U: Lead Free  
 8: Metal Fork Post  
 B: Shield(Two Hold)  
 B2: B Type(Pin Length 2.15~2.30mm)  
 B3: B Type(Pin Length 2.80mm)  
 N4: Nylon46  
 B: Brass  
 Au A: >0.8u" D: 15u" F: 30u"  
 NO. of Contacts  
 Serial ATA

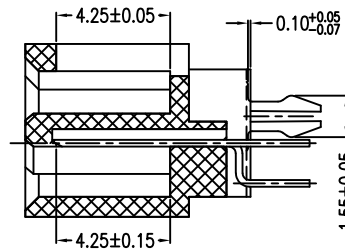


Unit: mm

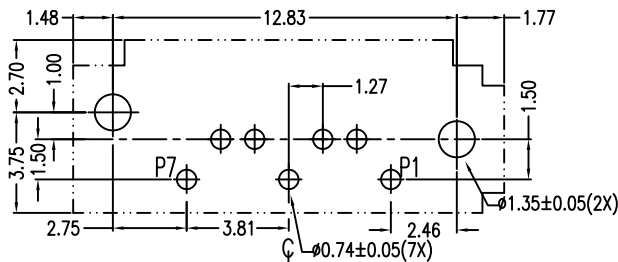
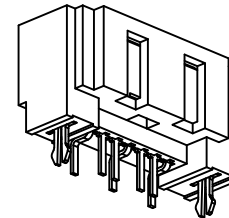
Part Number	Dim "A"
WATM-07***B2B8***	2.15~2.30
WATM-07***B3B8***	2.80



SECTION A-A



SECTION B-B



P.C.B. LAYOUT(T=1.60mm)  
 COMPONENT SIDE

Signal Segment	
Name	Type
P1	GND
P2	A+
P3	A-
P4	GND
P5	B-
P6	B+
P7	GND

REV	Add dimensions:0.10±0.05	Drawing By	Date	WIN WIN PRECISION IND., CO., LTD.	
Units	mm	LZX	10/16'23	TEL: 886-2-22994155	FAX: 886-2-22994157
Tolerance Unless Otherwise Specified		Reviewed By	Date	Date	10/16-'23
.X	±0.35	Charles	10/17'23	Sheet	1 of 1
.XX	±0.25	Approval By	Date	Third Angle Projection	Title
.XXX	±0.15	Nancy	10/20'23		SATA 7P Straight DIP B Type Shield (Two Hold) Male
Angle	± 3°			Drawing No.	WATA-07MN-AN-N051
				REV	S