

REV.	ECN.NO.	DATE
A	RELEASED	05/09-'17
C	Modify Flame Class&Cancel Operation Voltage Spec	11/06-'19
D	Modify Pin Name&Add Note Add plastic spec LCP; & halogen free spec	11/15-'21

NOTES:

***Material**

Housing: Nylon66, UL 94V-2
Or LCP, UL 94V-0
Contact: Brass.
Plating: Au plating on contact area;
Sn(100u" Min.) plating on solder tail;
Ni(50u" Min.) underplating overall.
Harpoon: Brass.
Plating: Sn(100u" Min.) plating on solder tail;
Ni(50u" Min.) underplating overall.

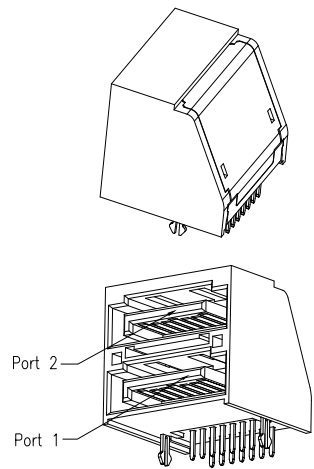
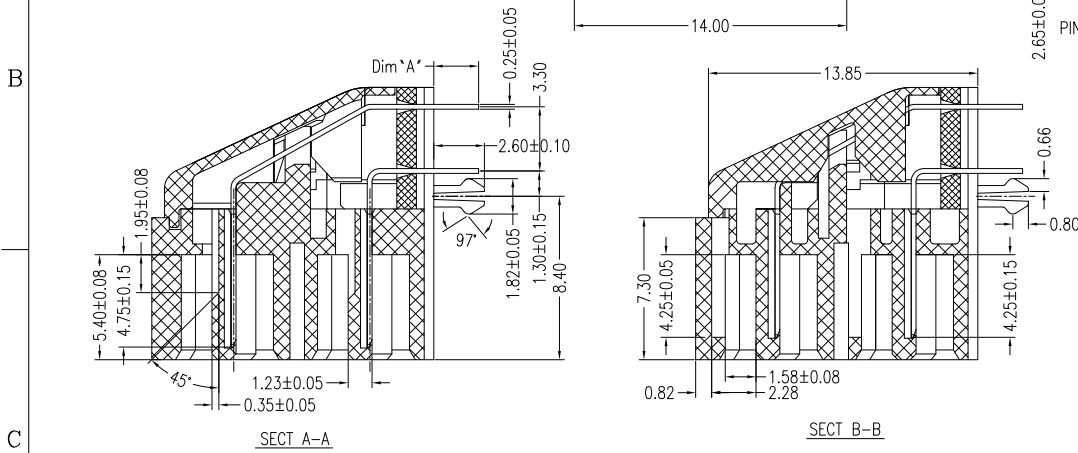
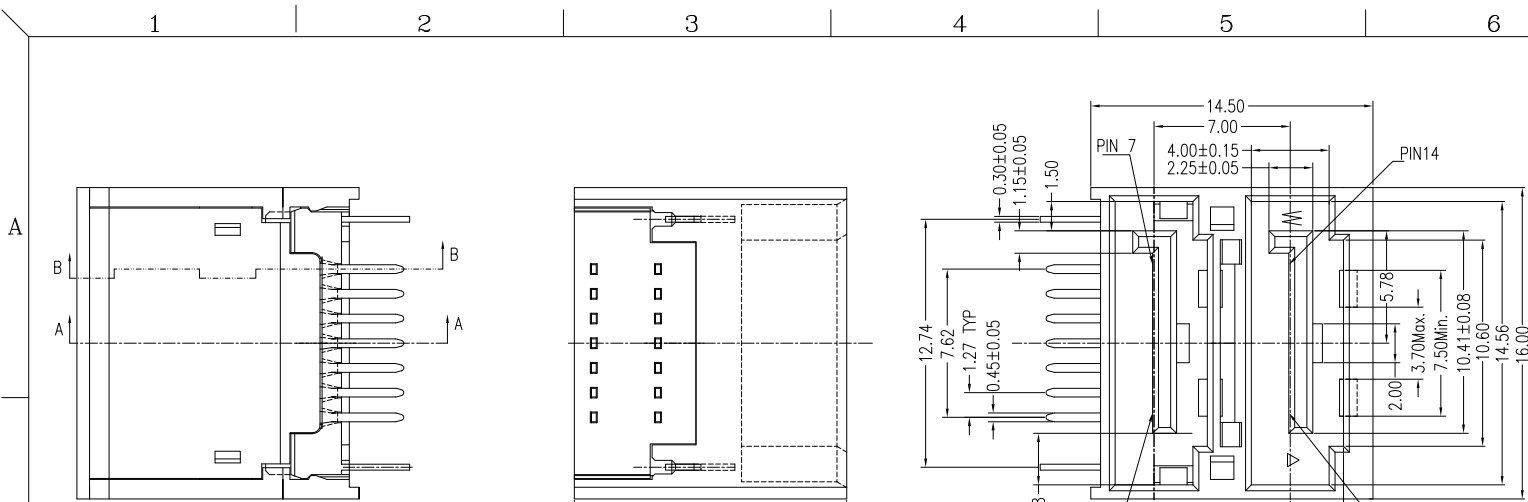
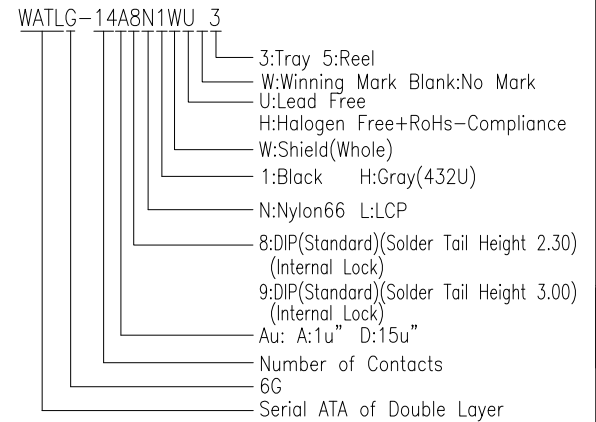
***Electrical Specification**

Current Rating: 1.5 Ampere Per Contact.
Contact Resistance: 30 mΩ max.
Insulation Resistance: 1000 MΩ min.
Dielectric Withstanding Voltage: 500 VAC.

***Environmental**

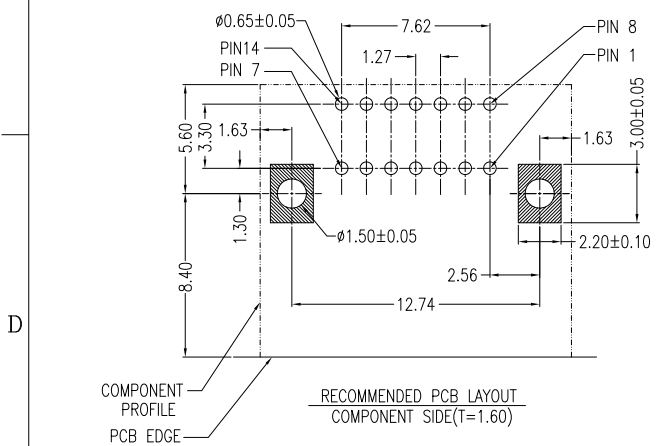
Operating Temperature: -55°C to +125°C.

***How To Order**



Port 1		Port 2	
Signal Segment	Signal Segment	Signal Segment	Signal Segment
Name	Type	Name	Type
PIN 1	GND	PIN 8	GND
PIN 2	A+	PIN 9	A+
PIN 3	A-	PIN 10	A-
PIN 4	GND	PIN 11	GND
PIN 5	B-	PIN 12	B-
PIN 6	B+	PIN 13	B+
PIN 7	GND	PIN 14	GND

Part Number	Dim 'A'
WATLG-14*8*****	2.30mm
WATLG-14*9*****	3.00mm



REV	Modify Pin Name&Add Note;Add plastic specification LCP& halogen free+RoHs-Compliance specification	Units	mm	Scale	2:1	Drawing By	Date
						ZZC	11/15-'21
						Reviewed By	Date
						Charles	11/15-'21
						Approval By	Date
						Nancy	11/24-'21

WIN WIN PRECISION IND. CO., LTD.
WINNING TEL: 886-2-22994155 FAX: 886-2-22994157

Date: 11/15-'21
Sheet: 1 of 1
Title: Serial ATA of Double Layer 14 Pin Shield Standard Two Hole DIP Type(Whole)Male (Internal Lock)
Third Angle Projection
Drawing No. WATLG-14PS-AN-N481 REV D