

REV.	ECN.NO.	DATE
A	RELEASED	11/02-'07
B	Cancel the glass fiber	10/15-'13

Notes:

*Material

Housing: LCP, UL 94V-0 rated; Color: Black.
Contact: Brass;

Plating: Au plating on contact area,
Sn(100u" Min) plating on solder tail,
Ni(40u" Min) underplating over all;

Harpoon: Brass, Sn(100u" Min) plating on solder tail,
Ni(50u" Min) underplating over all.

*Mechanical

Insertion Force: 45N max.
Withdrawal Force: 10N min.
Durability: 500 cycles

*Electrical Specification

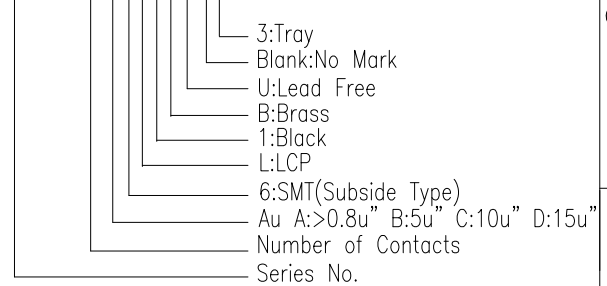
Current Rating: 1.5 Ampere per contact
Contact Resistance: 30 Milliohms max.
Insulation Resistance: 1000 Megohms min.
Dielectric Withstanding Voltage: 500 VAC

*Environmental

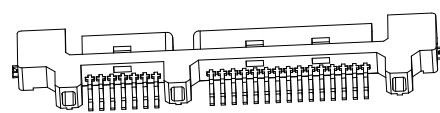
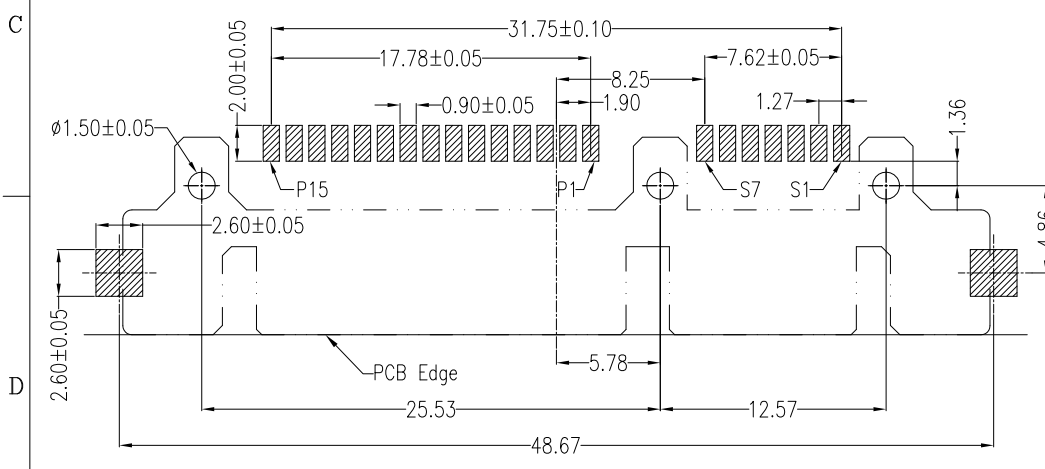
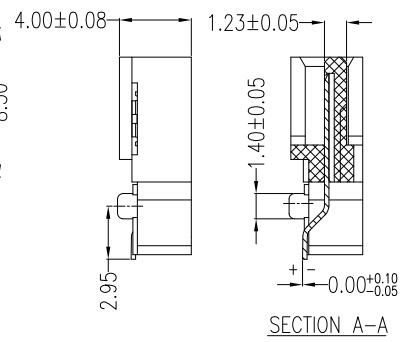
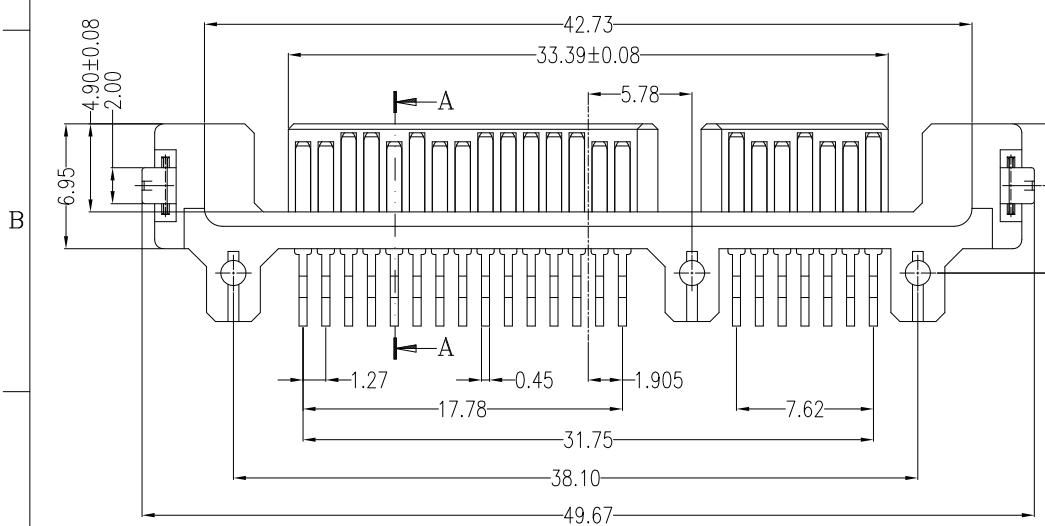
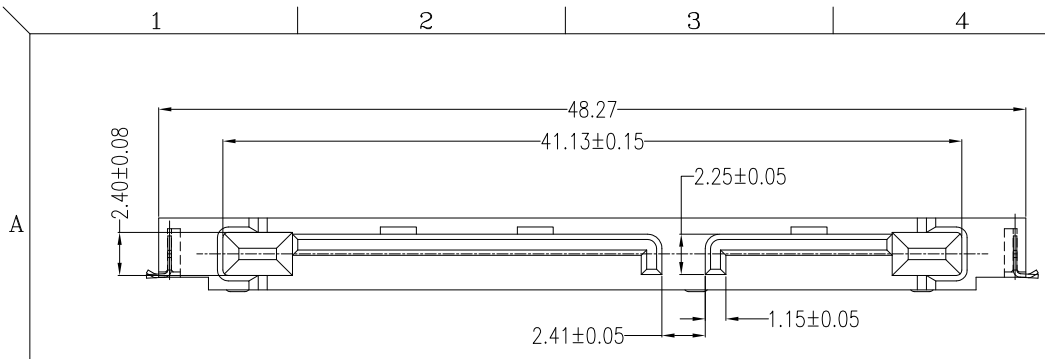
Operating Temperature: -55°C to +85°C

*How to Order:

WATHC-22D6L1BU 3



Signal Segment		Power Segment			
Name	Type	Name	Type	Name	Type
S1	GND	P1	V3.3	P9	V5
S2	A+	P2	V3.3	P10	GND
S3	A-	P3	V3.3	P11	DAS/DSS
S4	GND	P4	GND	P12	GND
S5	B-	P5	GND	P13	V12
S6	B+	P6	GND	P14	V12
S7	GND	P7	V5	P15	V12
		P8	V5		



REV	Cancel the rubber core glass using content								
Units	mm	Scale	8:3	Drawing By	Date	WIN WIN PRECISION IND. CO., LTD.			
Tolerance Unless Otherwise Specified				LRP	11/15-'13	WINNING		TEL: 886-2-22994155	FAX: 886-2-22994157
.X	~	±0.38		Reviewed By	Date	Date	10/15/13	Title	Serial ATA 7+15P R/A SMT Male(Subside Type)
.XX	~	±0.25		Blue	11/15-'13	Sheet	1 of 1		
.XXX	~	±0.20		Approval By	Date	Third Angle Projection			
Angle	~	± 3°		Richard	11/15-'13	Drawing No.		WATHC-22PS-AN-N288	REV B