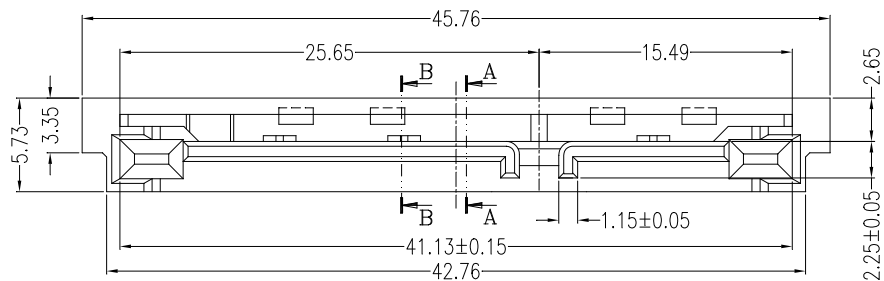


REV.	ECN.NO.	DATE
A	RELEASED	08/31-'12
D	Modify structure	08/17-'20
E	Modify dimensions: 2.23±0.05 → 2.25±0.05	04/22-'24



Signal Segment	
Name	Type
S1	GND
S2	A+
S3	A-
S4	GND
S5	B-
S6	B+
S7	GND

Power Segment			
Name	Type	Name	Type
P1	V3.3	P9	V5
P2	V3.3	P10	GND
P3	V3.3	P11	DAS/DSS
P4	GND	P12	GND
P5	GND	P13	V12
P6	GND	P14	V12
P7	V5	P15	V12
P8	V5		

Notes:

***Material**

Housing: LCP, UL 94V-0.
 Contact: Brass.
 Plating: Au plating on contact area.
 Sn(100u" Min.) plating on solder tail.
 Ni(50u" Min.) underplating overall.

***Mechanical**

Insertion Force: 45N Max.
 Withdrawal Force: 10N Min.
 Durability: 500 cycles.

***Electrical Specification**

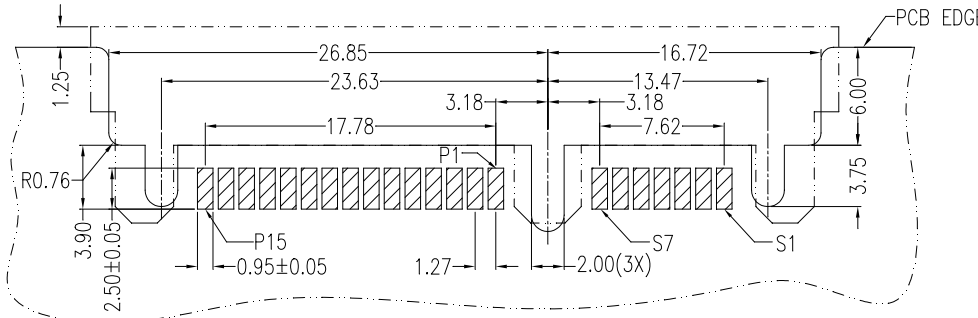
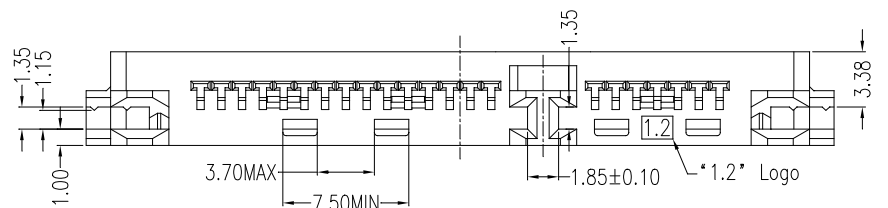
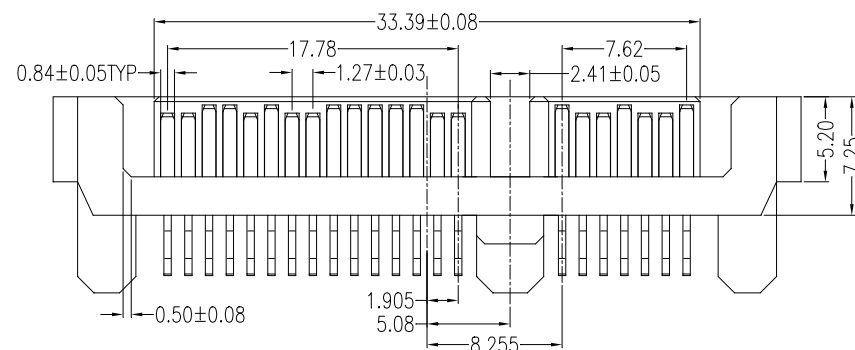
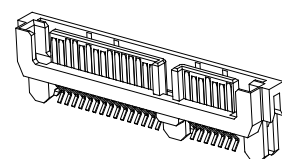
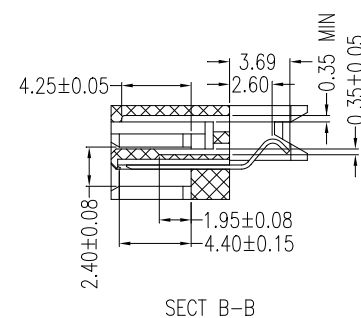
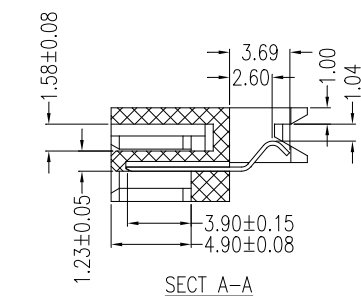
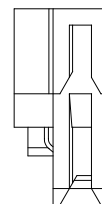
Current Rating: 1.5 Ampere per contact.
 Contact Resistance: 30mΩ Max.
 Insulation Resistance: 1000MΩ Min.
 Dielectric Withstanding Voltage: 500V AC.

***Environmental**

Operating Temperature: -55°C to +85°C.

***How to order:**

WATH-22DLBSU4
 4: Tube
 U: Lead Free
 S: Straddle(With latch)(T=1.20mm)
 B: Brass
 L: LCP
 Au: D: 15u"
 Number of contacts
 Serial ATA for mother



PCB LAYOUT(T=1.20mm)
COMPONENT SIDE

REV	Modify dimensions: 2.23±0.05 → 2.25±0.05		Units	mm	Scale	2: 1	Drawing By	Date	WIN WIN PRECISION IND. CO., LTD.			
							ZT	04/22-'24	TEL: 886-2-22994155 FAX: 886-2-22994157			
Tolerance Unless Otherwise Specified							Reviewed By	Date	Date	04/22-'24	Title	
.X ±0.35							Charles	04/22-'24	Sheet	1 of 1	SATA 7+15P Male Straddle Mount (PBC T=1.2mm)	
.XX ±0.25							Approval By	Date	Third Angle Projection		Drawing No.	
.XXX ±0.15							Nancy	04/23-'24			WATH-22PS-AN-N425	REV
Angle ± 3°											E	