

REV.	ECN.NO.	DATE
A	RELEASED	11/13-'02
K	Delete Stop Production Spec	06/15-'20
L	Modify structure	08/13-'20

Signal Segment		Power Segment	
Name	Type	Name	Type
S1	GND	P1	V3.3
S2	A+	P2	V3.3
S3	A-	P3	V3.3
S4	GND	P4	GND
S5	B-	P5	GND
S6	B+	P6	GND
S7	GND	P7	V5
		P8	V5
		P9	V5
		P10	GND
		P11	DAS/DSS
		P12	GND
		P13	V12
		P14	V12
		P15	V12

Notes:

***Material**

Housing: LCP UL 94V-0 Rated; Color: Black
 Contact: Brass
 Plating: Au plating on contact area,
 Sn(100u" Min.) plating on solder tail,
 Ni(50u" Min.) underplating overall.

***Mechanical**

Insertion Force: 45N Max.
 Withdrawal Force: 10N Min.
 Durability: 500 cycles

***Electrical Specification**

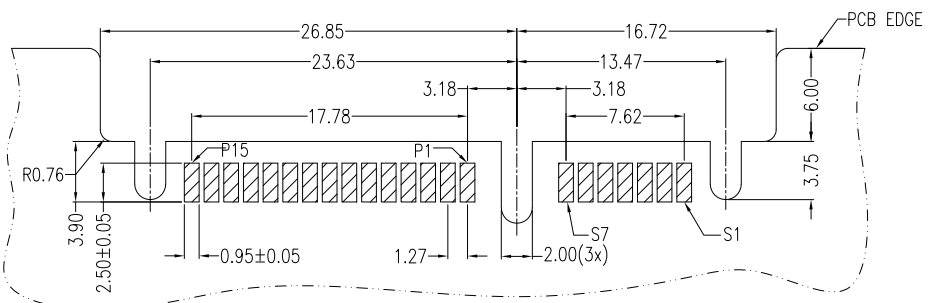
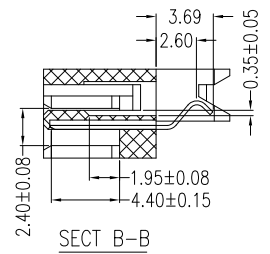
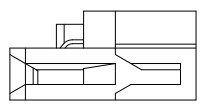
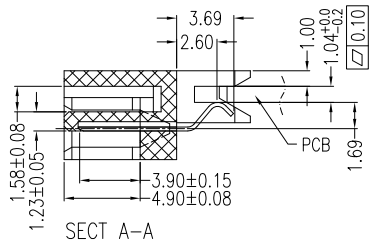
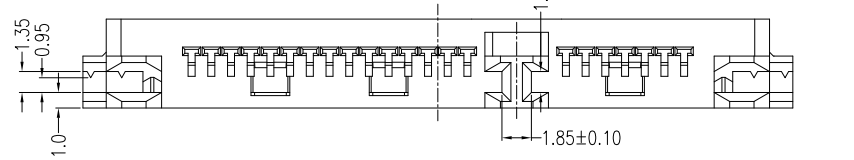
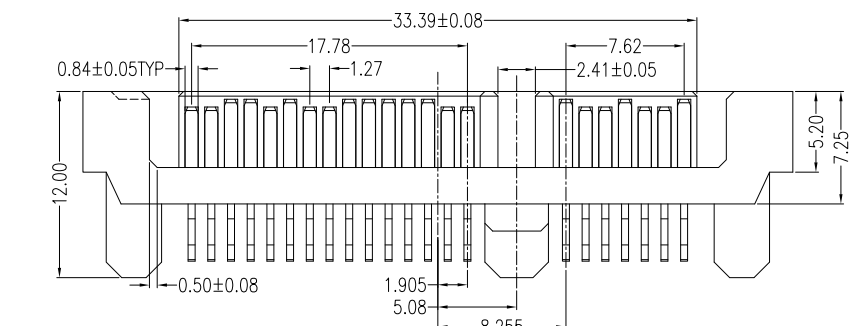
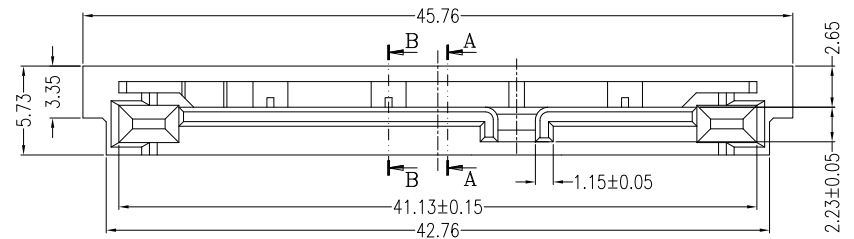
Current Rating: 1.5 Ampere per contact
 Contact Resistance: 30mΩ Max.
 Insulation Resistance: 1000MΩ Min.
 Dielectric Withstanding Voltage: 500V AC

***Environmental**

Operating Temperature: -55°C to +85°C

***How to order:**

WATH-22DLBCU4
 L Blank:With-Post
 4:Tube
 U:Lead Free
 C:Straddle PCB T=1.0mm
 B:Brass
 L:LCP
 Au:D:15u"
 Number of contacts
 Serial ATA for mother



P.C.B. LAYOUT(T=1.04mm)
 COMPONENT SIDE

REV	Modify structure			Drawing By	Date	WIN WIN PRECISION IND. CO., LTD.		
Units	mm	Scale	2:1	Wwy	08/13-'20	TEL: 886-2-22994155 FAX: 886-2-22994157		
Tolerance Unless Otherwise Specified				Reviewed By	Date	Date	08/13-'20	Serial ATA 7+15 Pins Straddle Type Male (PCB T=1.0mm)
.X	沙	±0.35		Yxhwa	08/13-'20	Sheet	1 of 1	
.XX	沙	±0.25		Approval By	Date	Third Angle Projection	Title	Serial ATA 7+15 Pins Straddle Type Male (PCB T=1.0mm)
.XXX	沙	±0.15		Nancy	08/20-'20	Drawing No.	WATH-022MN-AN-N011	
Angle	沙	± 3°				REV	L	