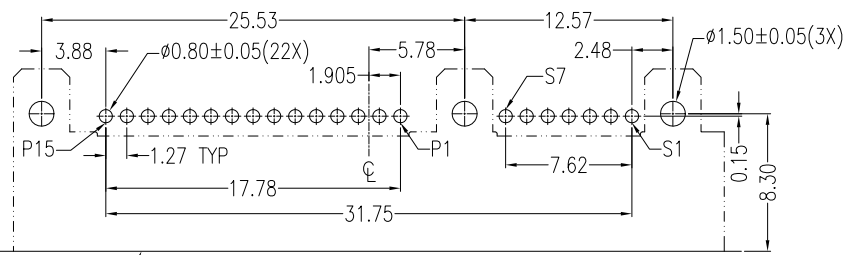
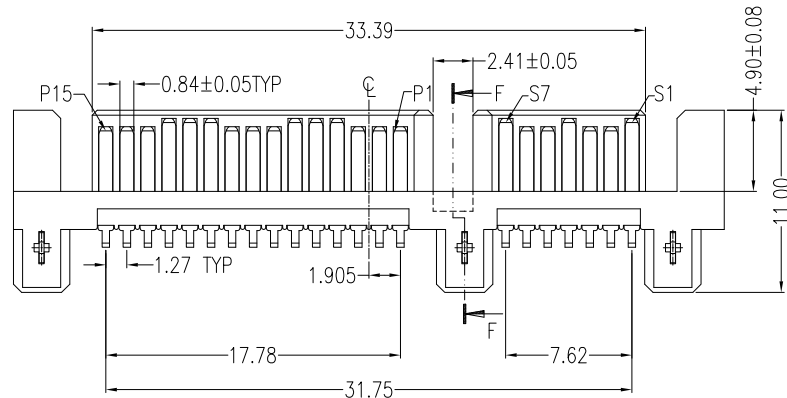
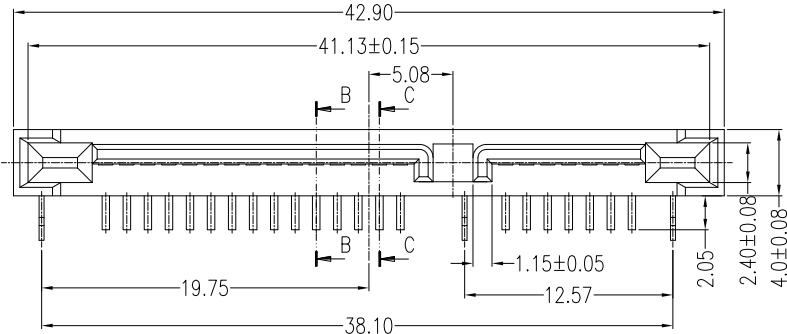
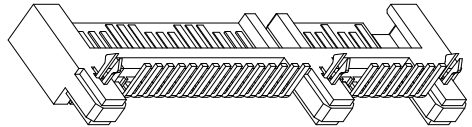
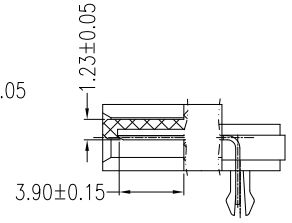
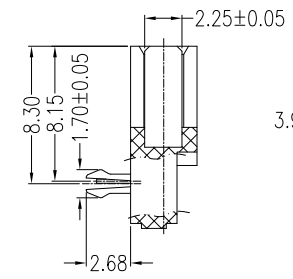
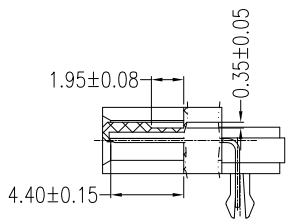


REV.	ECN.NO.	DATE
A	RELEASED	05/16/03
G	Modify plating specifications	03/08-'17
H	Delete Stop Production Spec	06/15-'20



PCB Edge
P.C.B. LAYOUT(T=1.60mm)
COMPONENT SIDE

Signal Segment		Power Segment	
Name	Type	Name	Type
S1	GND	P1	V3.3
S2	A+	P2	V3.3
S3	A-	P3	V3.3
S4	GND	P4	GND
S5	B-	P5	GND
S6	B+	P6	GND
S7	GND	P7	V5
		P8	V5
		P9	V5
		P10	GND
		P11	DAS/DSS
		P12	GND
		P13	V12
		P14	V12
		P15	V12



NOTES:

***Material**

Housing: LCP UL 94V-0 rated, Color: Black;
 Contact: Brass;
 Plating: Au Plating on contact area
 Sn(100u"Min) plating on solder Tail.
 Ni(50u"Min) underplating overall.
 Harpoon: Brass;
 Plating: Sn(100u"Min) plating on solder Tail.
 Ni(50u"Min) underplating overall.

***Mechanical**

Insertion Force: 45N max.
 Withdrawal Force: 10N min.
 Durability: 500 cycles

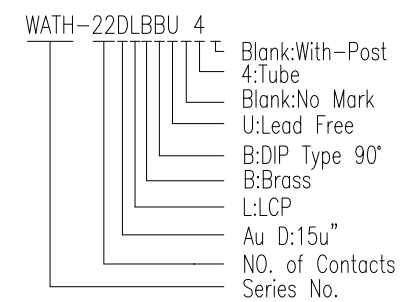
***Electrical Specification**

Current Rating: 1.5 Ampere per contact;
 Contact Resistance: 30 mΩ max.
 Insulation Resistance: 1000 MΩ min.
 Dielectric Withstanding Voltage: 500V AC.

***Environmental**

Operating Temperature: -55°C to +85°C.

***How to Order:**



REV	Remove the spec of N: Non-Post & W: Winning Mark & A: >0.8u" , B: 5u"			Drawing By		Date		WIN WIN PRECISION IND. CO., LTD.	
Units	mm	Scale	2:1	ZK	06/15-'20	TEL: 886-2-22994155		FAX: 886-2-22994157	
Tolerance Unless Otherwise Specified				Reviewed By		Date		Date	Serial ATA 7+15P 90° DIP Type Male
.X ~ ±0.35				LDF		06/17-'20		06/15-'20	
.XX ~ ±0.25				Approval By		Date		1 of 1	
.XXX ~ ±0.15				Nancy		06/22-'20		Third Angle Projection	
Angle ~ ± 3°								Sheet	1 of 1
								Drawing No.	WATH-22PS-AN-N029
								REV	H