

REV.	ECN.NO.	DATE
A	RELEASED	05/25/12
C	Delete Stop Production Spec	06/15-'20
D	Modify View	06/15-'21

NOTES:

**\*Material**

Housing: LCP, UL 94V-0  
 Contact: Brass;  
 Plating: Au plating on contact area;  
 Sn(100u" Min.) plating on solder tail;  
 Ni(50u" Min.) underplating overall.

**\*Mechanical**

Insertion Force: 45N max.  
 Withdrawal Force: 10N min.  
 Durability: 500 cycles

**\*Electrical Specification**

Current Rating: 1.5 Ampere per contact;  
 Contact Resistance: 30 mΩ max.  
 Insulation Resistance: 1000 MΩ min.  
 Dielectric Withstanding Voltage: 500V AC.

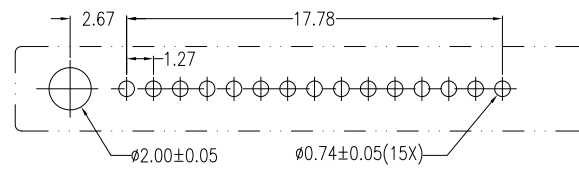
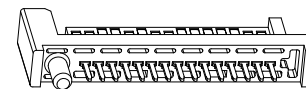
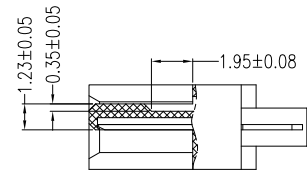
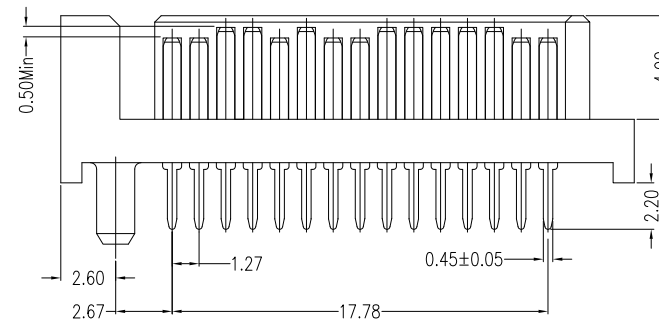
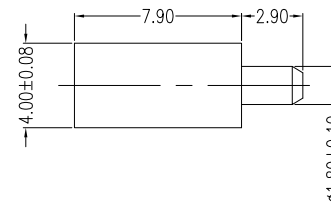
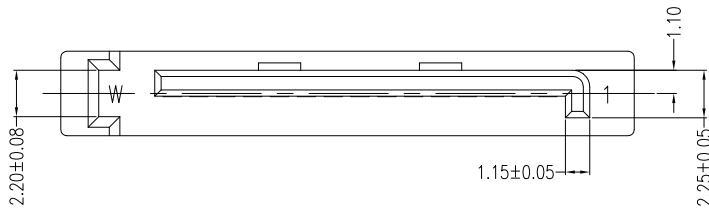
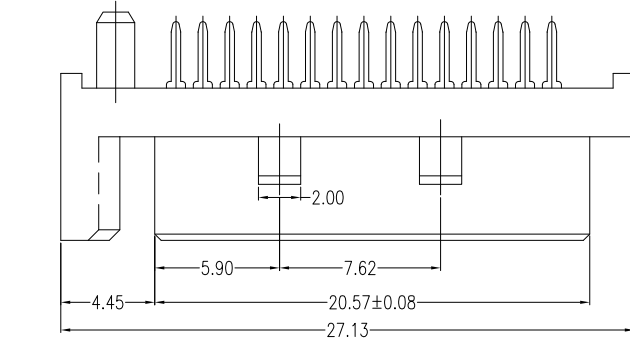
**\*Environmental**

Operating Temperature: -55°C to +85°C

**\*How to order:**

WATH-15DLBEU 3  
 Blank:With-Post  
 3:Tray  
 Blank:No Mark  
 U:Lead Free  
 E:DIP Type  
 B:Brass  
 L:LCP  
 Au: D:15u"  
 Number Of Contacts  
 Series NO.:SATA For H.D

Power Segment			
PIN NO.	Type	PIN NO.	Type
P1	V3.3	P9	V5
P2	V3.3	P10	GND
P3	V3.3	P11	DAS/DSS
P4	GND	P12	GND
P5	GND	P13	V12
P6	GND	P14	V12
P7	V5	P15	V12
P8	V5		



P.C.B LAYOUT(T=1.60mm)  
 COMPONENT SIDE

REV	Modify View	Drawing By	Date	WIN WIN PRECISION IND. CO., LTD.	
		ZYM	06/15-'21	TEL: 886-2-22994155 FAX: 886-2-22994157	
		Reviewed By	Date	Date	06/15-'21
		Charles	06/15-'21	Sheet	1 of 1
		Approval By	Date	Title	
		Nancy	06/16-'21	SATA 15P DIP Male (Vertical Type)	
				Third Angle Projection	
				Drawing No.	WATH-15PS-AN-418
				REV	D