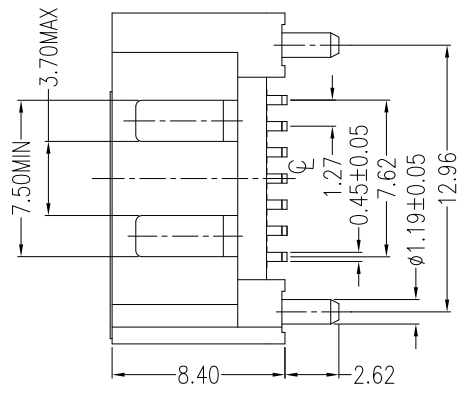
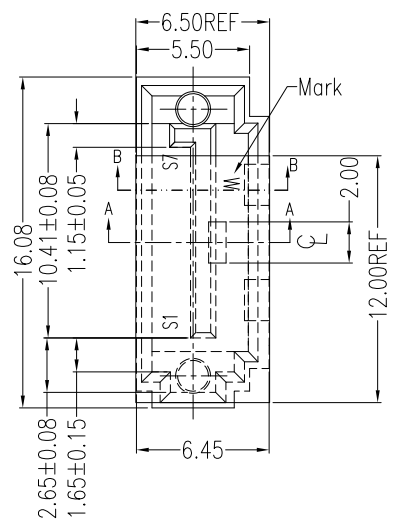


REV.	ECN.NO.	DATE
A	RELEASED	04/22/11
J	Modify view	03/10-'20
K	Modify Mylar spec.	08/30-'22



Signal Segment	
Name	Type
S1	GND
S2	A+
S3	A-
S4	GND
S5	B-
S6	B+
S7	GND

**NOTES:**

**\*Material**

Housing: LCP, UL 94V-0.  
 Contact: Brass.  
 Plating: Au plating on contact area.  
 Sn (100u" Min.) plating on solder tail.  
 Ni (50u" Min.) underplating overall.  
 Board Lock: Brass.  
 Plating: Sn (100u" Min.) plating overall.  
 Ni (50u" Min.) underplating overall.

**\*Mechanical**

Insertion Force: 45N Max.  
 Withdrawal Force: 10N Min.  
 Durability: 500 Cycles.

**\*Electrical Specification**

Current Rating: 1.5 Ampere per contact.  
 Contact Resistance: 30 MΩ max.  
 Insulation Resistance: 1000 MΩ min.  
 Dielectric Withstanding Voltage: 500 V AC.

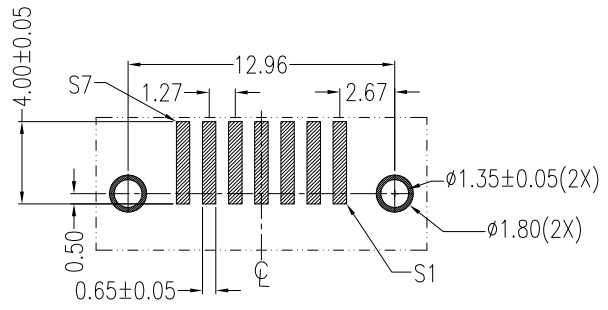
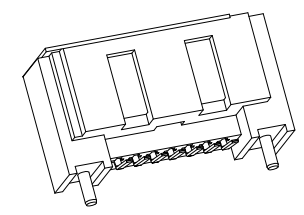
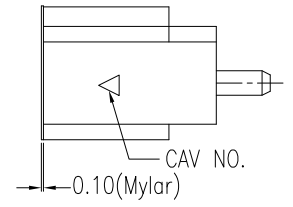
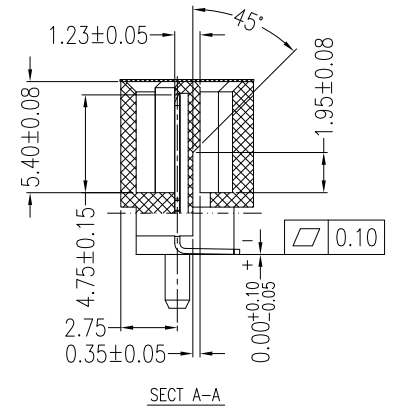
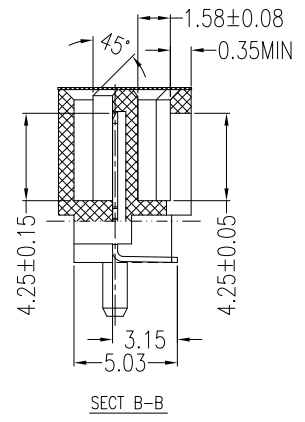
**\*Environmental**

Operating Temperature: -55°C to +85°C.

**\*How to Order**

WATF-07DBLSA1UW

- Blank: Black
- W: Winning Mark Blank: No Mark
- U: Lead Free
- 1: Rounded Copper Pole
- A: Shield (Double Holes+Mylar)
- S: Straight SMT A TYPE
- L: LCP
- B: Brass
- Au A: >0.8u" D: 15u" F: 30u"
- NO. of Contacts
- Serial ATA for Mother



PCB LAYOUT(T=1.60mm)  
COMPONENT SIDE

REV Modify Mylar spec..10.00x6.50 → 12.00REFx6.50REF.									
Units	mm	Scale	3: 1	Drawing By	Date	WIN WIN PRECISION IND., CO., LTD. TEL: 886-2-22994155 FAX: 886-2-22994157			
Tolerance Unless Otherwise Specified				ZZC	08/31-'22				
.X	~	±0.35		Reviewed By	Date	Date	08/30-'22	Title	SATA 7P Straight SMT A Type Shield
.XX	~	±0.25		Charles	09/01-'22	Sheet	1 of 1		
.XXX	~	±0.15		Approval By	Date	Third Angle Projection			
Angle	~	± 3°		Nancy	09/06-'22			Drawing No.	WATF-07PS-AN-W387
								REV	K