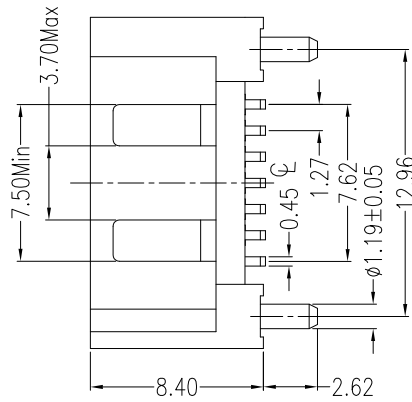
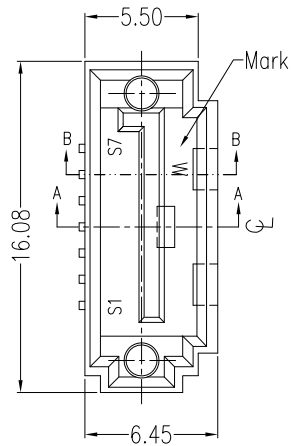


REV.	ECN.NO.	DATE
A	RELEASED	03/10/06
G	Modify Notes And PCB Layout	09/20-'18
H	Modify View	03/10-'20



PIN	SIGNAL NAME
S1	GND
S2	A+
S3	A-
S4	GND
S5	B-
S6	B+
S7	GND

NOTES:

***Material**

Housing: LCP, UL 94V-0 rated.
 Contact: Brass;
 Plating: Au plating on contact area;
 Sn(100u" Min.) plating on solder tail;
 Ni(50u" Min.) underplating overall.
 Board Lock: Brass;
 Plating: Sn (100u" Min.) underplating overall.
 Ni (50u" Min.) underplating overall.

***Mechanical**

Insertion Force: 45N Max.
 Withdrawal Force: 10N Min.
 Durability: 500 Cycles.

***Electrical Specification**

Current Rating: 1.5 Ampere per contact;
 Contact Resistance: 30mΩ Max.
 Insulation Resistance: 1000MΩ Min.
 Dielectric Withstanding Voltage: 500 V AC.

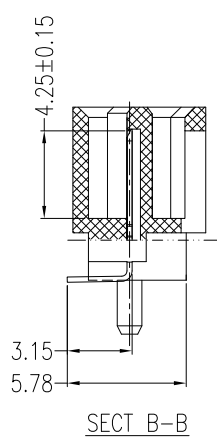
***Environmental**

Operating Temperature: -55°C to +85°C.

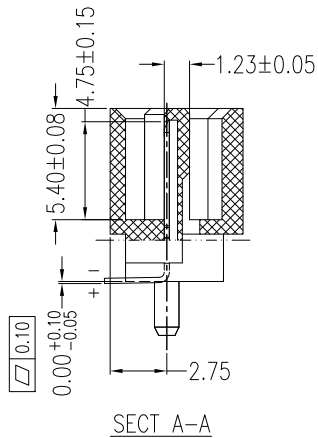
***How to Order**

WATF-07DBLRB1UW

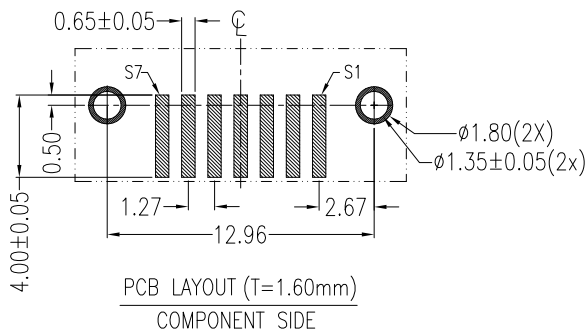
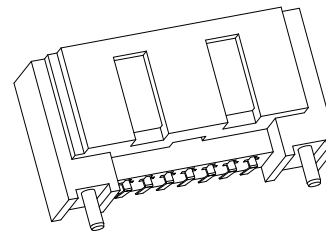
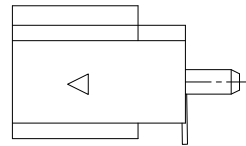
- Blank:Black 4:Blue
- W:Winning Mark Blank:No Mark
- U:Lead Free
- 1:Rounded Copper Pole
- B:Shield (Double Holes)
- R:Reverse Straight SMT A TYPE
- L:LCP
- B:Brass
- Au A:>0.8u" D:15u" F:30u"
- NO. of Contacts
- Serial ATA for Mother



SECT B-B



SECT A-A



PCB LAYOUT (T=1.60mm)
COMPONENT SIDE

REV	Modify View	Units	mm	Scale	3: 1	Drawing By	Date	WIN WIN PRECISION IND., CO., LTD. D TEL: 886-2-22994155 FAX: 886-2-22994157		
						LCC	03/10-'20	Date	03/10-'20	Title
						Reviewed By		Sheet	1 of 1	
						LDF	03/10-'20	Third Angle Projection		
						Approval By				SATA 7P Reverse Straight SMT A Type Shield Rounded Copper Pole(Through Type) Male
						Nancy	03/13-'20	Drawing No.	WATF-07PS-AN-W146	
								REV	H	