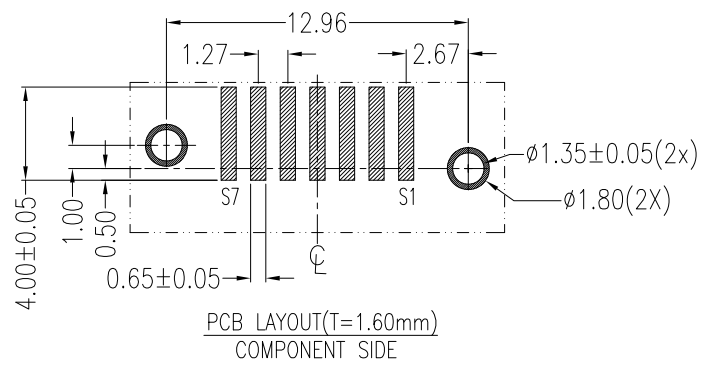
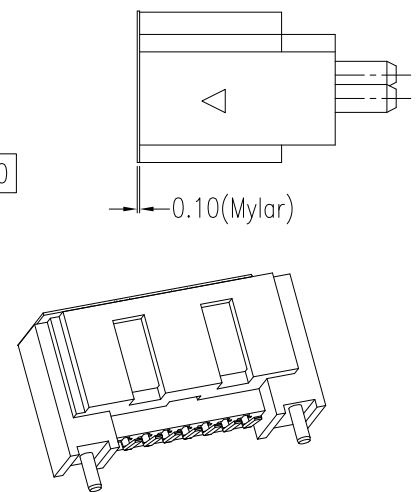
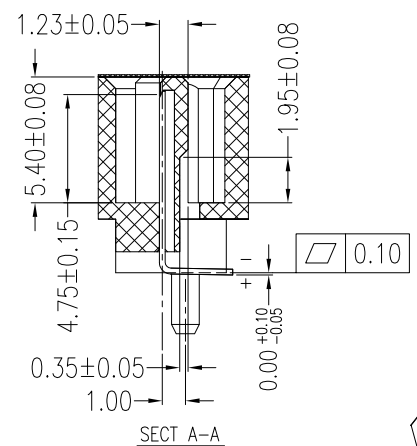
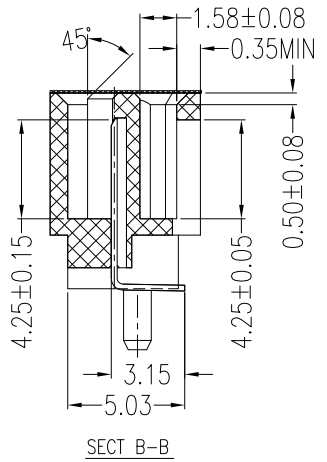


Signal Segment	
Name	Type
S1	GND
S2	A+
S3	A-
S4	GND
S5	B-
S6	B+
S7	GND



REV.	ECN.NO.	DATE
A	RELEASED	10/22/08
I	Modify Notes And PCB Layout	09/20-'18
J	Modify Mylar spec.	08/31-'22

NOTES:

***Material**

Housing: LCP, UL 94V-0.
 Contact: Brass.
 Plating: Au plating on contact area.
 Sn (100u" Min.) plating on solder tail.
 Ni (50u" Min.) underplating overall.
 Board Lock: Brass.
 Plating: Sn (100u" Min.) plating overall.
 Ni (50u" Min.) underplating overall.

***Mechanical**

Insertion Force: 45N Max.
 Withdrawal Force: 10N Min.
 Durability: 500 Cycles.

***Electrical Specification**

Current Rating: 1.5 Ampere per contact.
 Contact Resistance: 30 mΩ max.
 Insulation Resistance: 1000 MΩ min.
 Dielectric Withstanding Voltage: 500 V AC.

***Environmental**

Operating Temperature: -55°C to +85°C.

***How to Order**

- WATF-07DBLBA1UW
- Blank: Black
 - W: Winning Mark Blank: No Mark
 - U: Lead Free
 - 1: Rounded Copper Pole
 - A: Shield (Double Holes+Mylar+Reel)
 - B: Straight SMT B TYPE
 - L: LCP
 - B: Brass
 - Au A: >0.8u" D: 15u" F: 30u"
 - NO. of Contacts
 - Serial ATA for Mother

REV	Modify Mylar spec.,10.00x6.50 → 12.00REFx6.50REF.		Drawing By		Date	WIN WIN PRECISION IND., CO., LTD. TEL: 886-2-22994155 FAX: 886-2-22994157	Title		
Units	mm	Scale	3 : 1	ZZC	08/31-'22		Date	08/31-'22	SATA 7P Straight SMT B Type Shield
Tolerance Unless Otherwise Specified						Reviewed By	Date	Sheet	1 of 1
.X	~	±0.35		Charles	09/01-'22	Approval By	Date	Rounded Copper Pole(Through Type) Male	
.XX	~	±0.25		Nancy	09/06-'22	Third Angle Projection			
.XXX	~	±0.15						Drawing No. WATF-07PS-AN-W255	REV
Angle	~	± 3°							