

REV.	ECN.NO.	DATE
A	RELEASED	08/14-'08
E	Modification of nickel plating standard	08/31-'18
F	Add Post High 1.00mm Spec.	03/31-'21

Notes:

***Material**

Housing: LCP, UL 94V-0 rated.
 Contact: Phosphor Bronze
 Plating: Au Plating on contact area
 Sn100u"Min) plating on solder Tail.
 Ni(50u"Min) contact underplating overall.

***Mechanical**

Insertion Force: 20N max.
 Withdrawal Force: 4N min.
 Durability: 500 cycles

***Electrical Specification**

Current Rating: 1.5 Ampere per contact
 Contact Resistance: 30 mΩ max.
 Insulation Resistance: 1000 MΩ min.
 Dielectric Withstanding Voltage: 500 VAC

***Environmental**

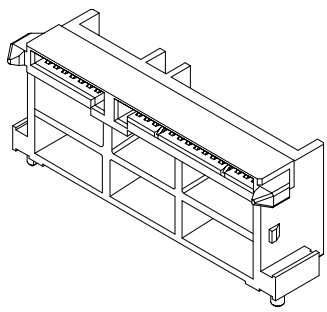
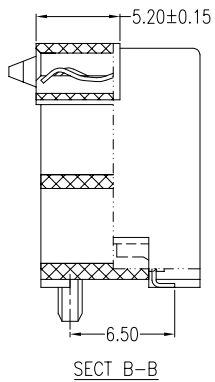
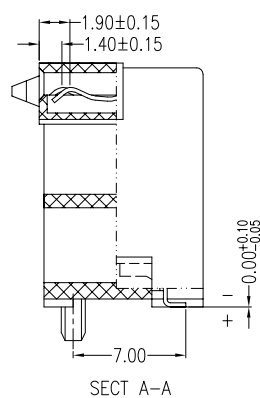
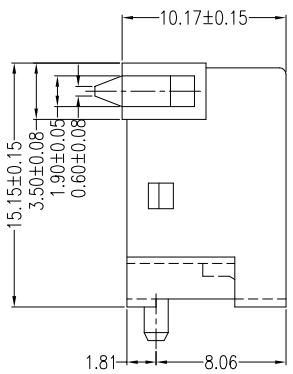
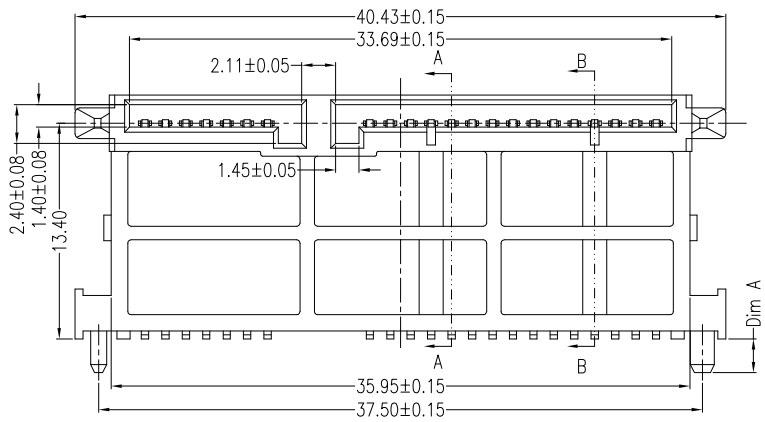
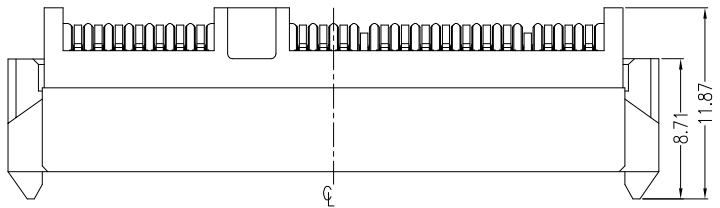
Operating Temperature: -55°C to +85°C

***How to order:**

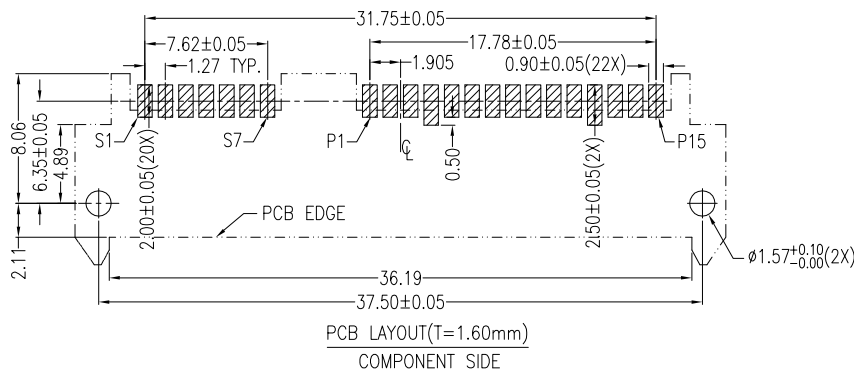
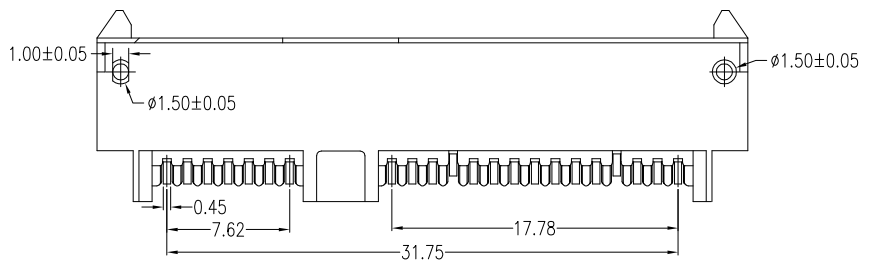
WATBG-22DL1PAU
 U:Lead Free
 A:Reverse SMT(15.15)
 E:Reverse SMT(15.15) Post High 1.00mm
 P:Phosphor Bronze
 1:Black
 L:LCP
 A:>0.8u",B:5u"D:15u",F:30u"
 NO. of Contacts
 Series No.

Signal Segment	
Name	Type
S1	GND
S2	A+
S3	A-
S4	GND
S5	B-
S6	B+
S7	GND

Power Segment			
Name	Type	Name	Type
P1	V3.3	P9	V5
P2	V3.3	P10	GND
P3	V3.3	P11	DAS/DSS
P4	GND	P12	GND
P5	GND	P13	V12
P6	GND	P14	V12
P7	V5	P15	V12
P8	V5		



Part No.	Dim A
WATBG-22*A***	2.10±0.10
WATBG-22*E***	1.00±0.10



REV Add Post High 1.00mm Spec.

Units	mm	Scale	2:1	Drawing By	Date
				LZX	03/31-'21
Tolerance Unless Otherwise Specified				Reviewed By	Date
.X ~ ±0.35				Charles	04/09-'21
.XX ~ ±0.25				Approval By	Date
.XXX ~ ±0.15				Nancy	04/19-'21
Angle ~ ± 3°					

WIN WIN PRECISION IND. CO., LTD.
 TEL: 886-2-22994155 FAX: 886-2-22994157

Date	03/31-'21	Title	SATA 7+15P Female Reverse SMT Type(15.15)
Sheet	1 of 1		
Third Angle Projection			
Drawing No.	WATBG-022PS-AN-W241	REV	F