

REV.	ECN.NO.	DATE
A	RELEASED	04/02-'13
C	add reel packing	07/25-'13
D	Modify plating specifications	03/07-'17

Notes:

***Material**

Housing: LCP, UL 94V-0 rated;Color: Black.
 Contact: Phosphor Bronze
 Plating: Au Plating on contact area
 Sn(100u"Min) plating on solder Tail.
 Ni(50u"Min) contact underplating overall.
 Harpoon: Brass
 Plating: Sn(100u"Min)Plating Over Ni(50u"Min)

***Mechanical**

Insertion Force: 45N max.
 Withdrawal Force: 10N min.
 Durability: 500 cycles

***Electrical Specification**

Current Rating: 1.5 Ampere per contact
 Contact Resistance: 30 mΩ max.
 Insulation Resistance: 1000 MΩ min.
 Dielectric Withstanding Voltage: 500 V AC

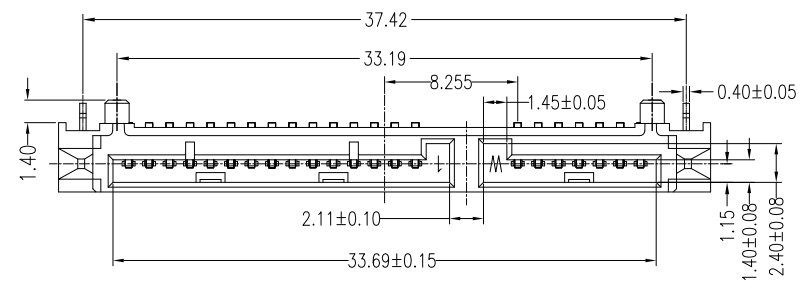
***Environmental**

Operating Temperature: -55°C to +85°C

***How to Order:**

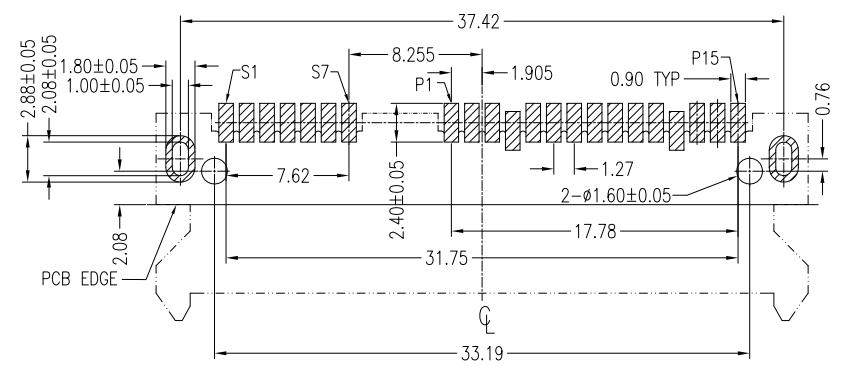
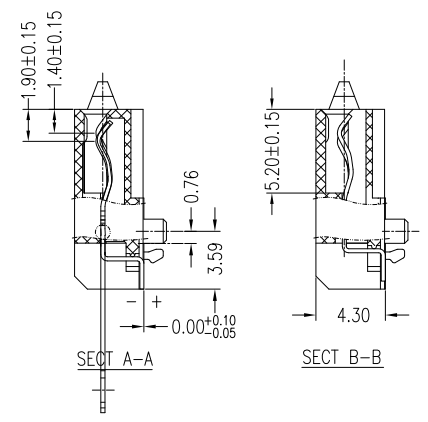
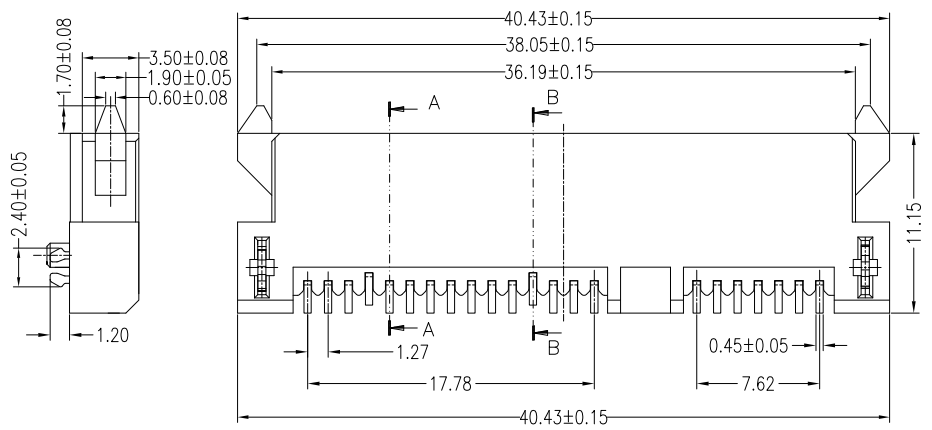
WATB-22DL1PTU 5

- 5:Reel
- W: Winning Mark Blank: No Mark
- U:Lead Free
- T: Reverse SMT(4.30)(Ribwork)
(Short harpoon)(pillar1.40)
- P: Phosphor Bronze
- 1: Black
- L: LCP
- Selective Au:A:>0.8u" D:15u" F:30u"
- NO. of Contacts
- Series No.

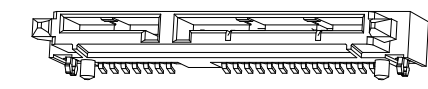


Signal Segment		Power Segment			
Name	Type	Name	Type	Name	Type
S1	GND	P1	V3.3	P9	V5
S2	A+	P2	V3.3	P10	GND
S3	A-	P3	V3.3	P11	DAS/DSS
S4	GND	P4	GND	P12	GND
S5	B-	P5	GND	P13	V12
S6	B+	P6	GND	P14	V12
S7	GND	P7	V5	P15	V12
		P8	V5		

Signal Segment		Power Segment			
Name	Type	Name	Type	Name	Type
S1	GND	P1	V3.3	P9	V5
S2	A+	P2	V3.3	P10	GND
S3	A-	P3	V3.3	P11	DAS/DSS
S4	GND	P4	GND	P12	GND
S5	B-	P5	GND	P13	V12
S6	B+	P6	GND	P14	V12
S7	GND	P7	V5	P15	V12
		P8	V5		



P.C.B LAYOUT (T=1.20)
COMPONENT SIDE



REV Modify plating specifications: Ni (40u" min.) → Ni (50u" min.)				WIN WIN PRECISION IND. CO., LTD.			
Units	mm	Scale	1:1	Drawing By	Date	TEL: 886-2-22994155 FAX: 886-2-22994157	
Tolerance Unless Otherwise Specified				ZOU	03/07-'17	Date	03/07-'17
.X	~	±0.35		Reviewed By	Date	Sheet	1 of 1
.XX	~	±0.25		LDF	03/08-'17	Title	
.XXX	~	±0.15		Approval By	Date	S ATA 7+15P 90°Female Reverse SMT	
Angle	~	± 3°		Roger	03/26-'17	Type(4.30)(Ribwork)(Short harpoon)(pillar1.40)	
						Third Angle Projection	
						Drawing No.	
						REV	D