

| REV. | ECN.NO. | DATE |
|------|----------------------------|-----------|
| A | RELEASED | 04/08-'02 |
| 0 | Improvement of tin and gum | 02/28-'19 |
| P | Modify the diagram | 09/20-'19 |

Notes:

***Material**

Housing: LCP, UL 94V-0 Rated; Color: Black,White.
 Contact: Phosphor Bronze
 Plating: Au plating on contact area,
 Sn (100u* Min.) plating on solder tail,
 Ni (50u* Min.) underplating overall.
 Harpoon: Brass;
 Plating: Sn(100u* Min.) Plating On Solder Tail;
 Ni(50u* Min.) Underplating Overall

***Mechanical**

Insertion Force: 45N Max.
 Withdrawal Force: 10N Min.
 Durability: 500 Cycles

***Electrical Specification**

Current Rating: 1.5 Ampere per contact
 Contact Resistance: 30mΩ Max.
 Insulation Resistance: 1000MΩ Min.
 Dielectric Withstanding Voltage: 500V AC

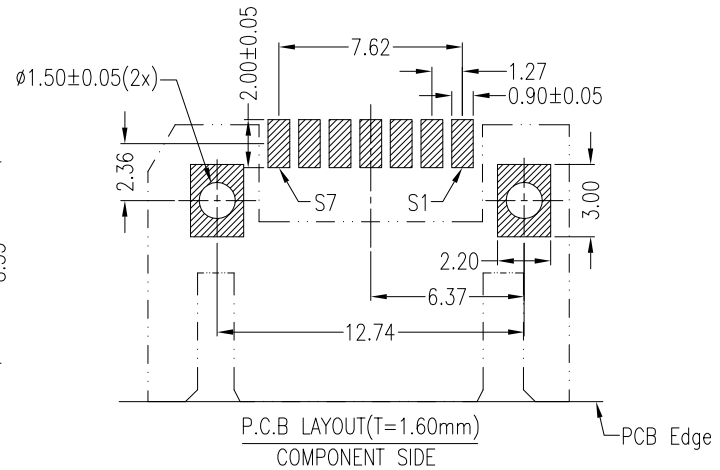
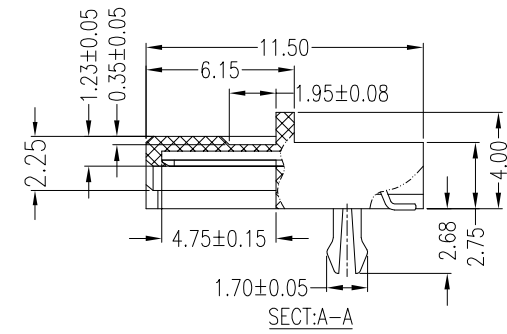
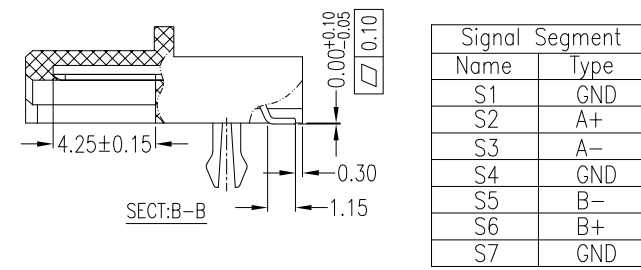
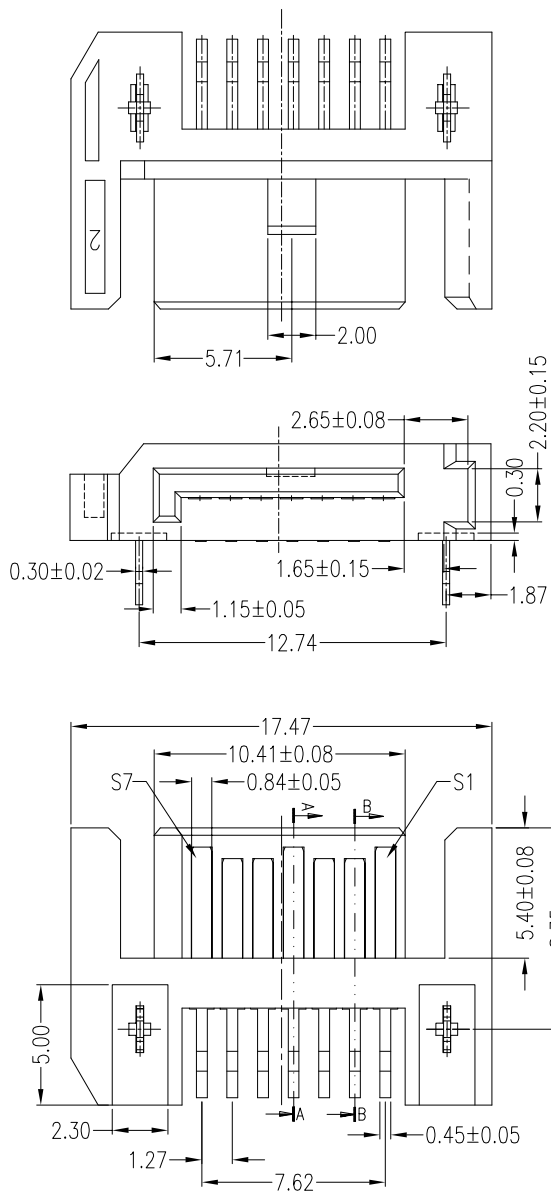
***Environmental**

Operating Temperature: -55°C To +85°C

***How To order:**

WATA-07DPLS 4 U

- Blank:Black, 3:White;
- U:Lead Free
- Blank:With-Post
- 4:Tube 3:Tray
- Blank:No Mark
- S:Standard SMT
- L:LCP
- P:Phosphor Bronze
- Au A:>0.8u" D:15u" F:30u"
- NO. Of Contacts
- Series NO.



| REV | Modify the diagram | | Drawing By | Date | WIN WIN PRECISION IND. CO., LTD. | |
|-----|--------------------------------------|----|------------|-------------|----------------------------------|---------------------------|
| | Units | mm | Scale | 3:1 | WWY | 09/20-'19 |
| | Tolerance Unless Otherwise Specified | | | | Reviewed By | Date |
| | .X | ~ | ±0.35 | LDF | 09/23-'19 | Date |
| | .XX | ~ | ±0.25 | Approval By | Date | Sheet |
| | .XXX | ~ | ±0.15 | Nancy | 09/25-'19 | 1 of 1 |
| | Angle | ~ | ± 3° | Title | | SATA 7P Standard SMT Type |
| | | | | | Third Angle Projection | |
| | | | | | Drawing No. | WATA-007MN-AN-N001 |
| | | | | | REV | P |