

REV.	DESCRIPTION	DATE
A	RELEASED	06/02-'03
E	Modify View and Modify Dimension	06/23-'16
F	Improvement of tin and gum	02/28-'19

### NOTES

#### \*Material

Housing: LCP, UL 94V-0 rated, Color: Black;  
 Contact: Phosphor Bronze;  
 Plating: Au plating on contact area;  
 Sn(100u" Min.) plating on solder tail;  
 Ni(50u" Min.) underplating overall.  
 Board Lock: Brass;  
 Plating: Sn (100u" Min.) plating on solder tail,  
 Ni (50u" Min.) underplating overall.

#### \*Mechanical

Insertion Force: 45N max.  
 Withdrawal Force: 10N min.  
 Durability: 500 cycles.

#### \*Electrical Specification

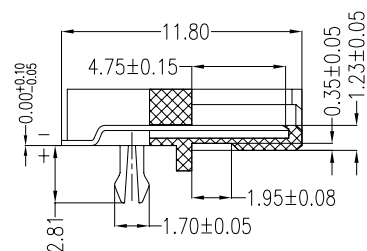
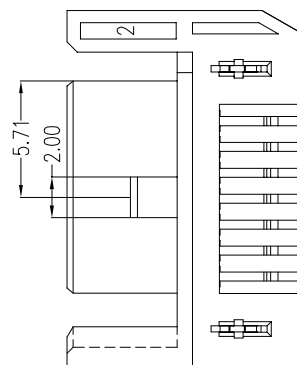
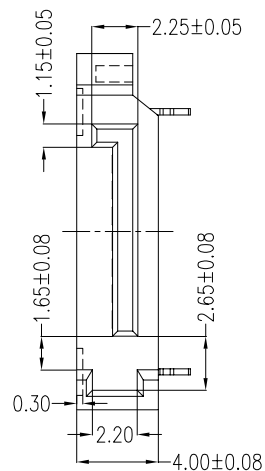
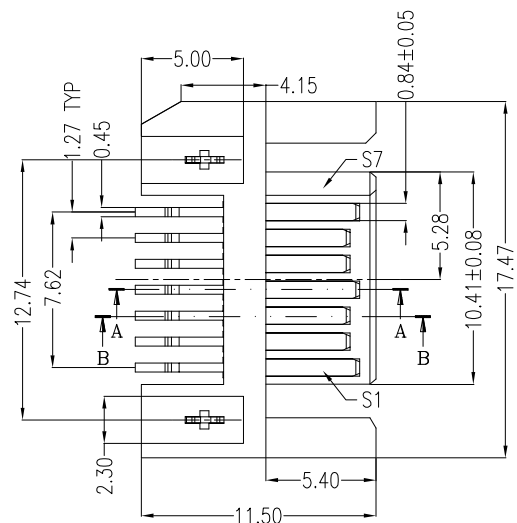
Current Rating: 1.5 Ampere per contact;  
 Contact Resistance: 30 Milliohms max.  
 Insulation Resistance: 1000 Megohms min.  
 Dielectric Withstanding Voltage: 500 VAC.

#### \*Environmental

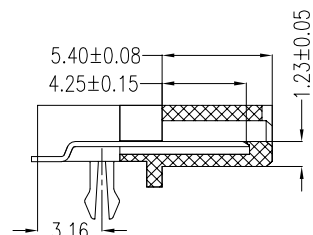
Operating Temperature: -55°C to +85°C

#### \*How to Order

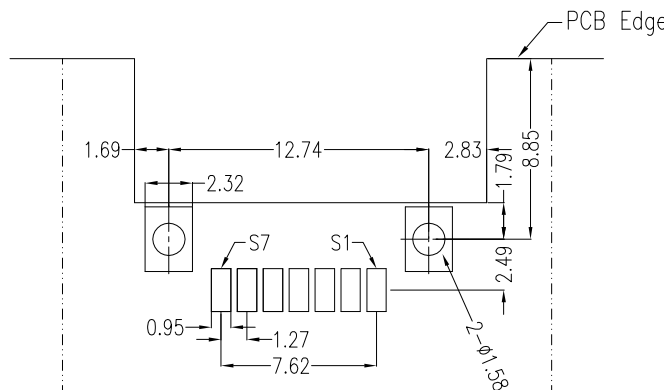
WATA-07DPLR 4U



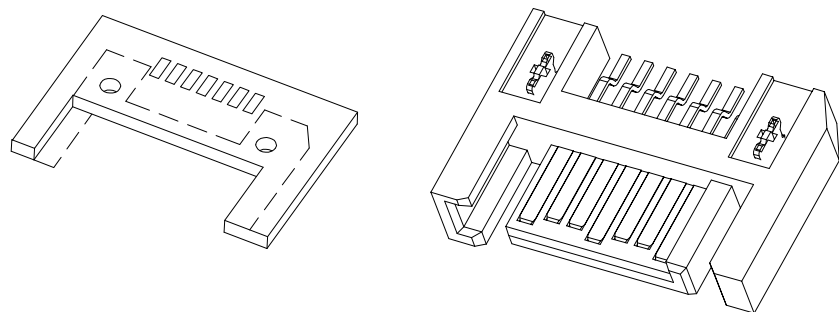
SECT A-A



SECT B-B



P.C.B. Layout(T=1.6mm)  
TOP VIEW



REV	Improvement of tin and gum;Lncrase Size: 2.30 ,5.00 ,0.30			Units	mm	Scale	5 : 2	Drawing By	Date	WIN WIN PRECISION IND. CO., LTD.					
								CXS	02/28-'19	TEL: 886-2-22994155 FAX: 886-2-22994157					
Tolerance Unless Otherwise Specified								Reviewed By	Date	Date	02/28-'19	Title	SATA 7Pin Reversed SMT Male		
.X ~ ±0.35								LDF	03/01-'19	Sheet	1 of 1				
.XX ~ ±0.25								Approval By	Date	Third Angle Projection					
.XXX ~ ±0.15								Nancy	03/05-'19			Drawing No.	WATA-007MN-AN-N032	REV	F
Angle ~ ± 3°															