

REV.	ECN.NO.	DATE
A	RELEASED	04/27/09
G	Modify View	11/26-'14
H	Modify the thickness of contact plated nickel layer, 40u"min — 50u"min	07/27-'18

**NOTES:**

**\*Material**

Housing: LCP , UL94 V-0 Rated;  
 Contact: Phosphor Bronze.  
 Plating: Au Plating On Contact Area;  
 Sn(100u" Min.) Plating On Solder Tail;  
 Ni(50u" Min.) Underplating Overall  
 Harpoon: Brass;  
 Plating: Sn(100u" Min.) Plating Overall;  
 Ni(50u" Min.) Underplating Overall

**\*Mechanical**

Insertion Force: 45N Max.  
 Withdrawal Force: 10N Min.  
 Durability: 500 Cycles.

**\*Electrical Specification**

Current Rating: 1.5 Ampere Per Contact;  
 Contact Resistance: 30 mΩ Max.  
 Insulation Resistance: 1000 MΩ Min.  
 Dielectric Withstanding Voltage: 500V AC.

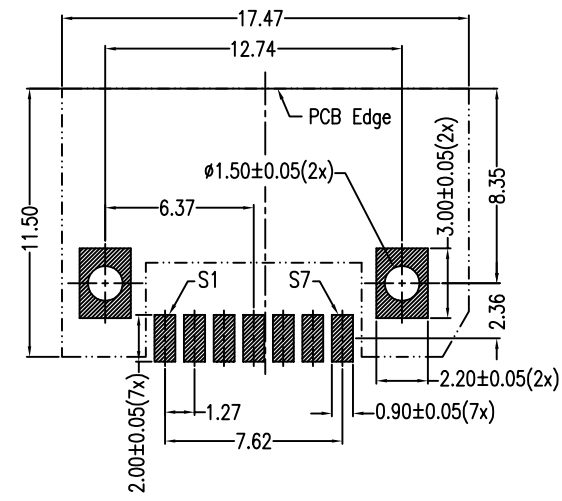
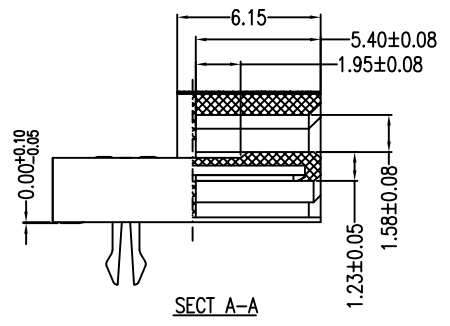
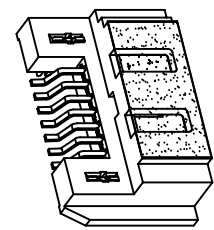
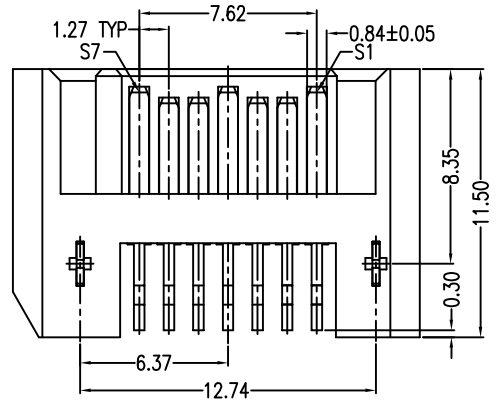
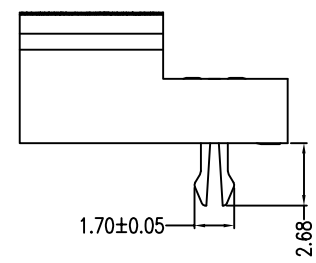
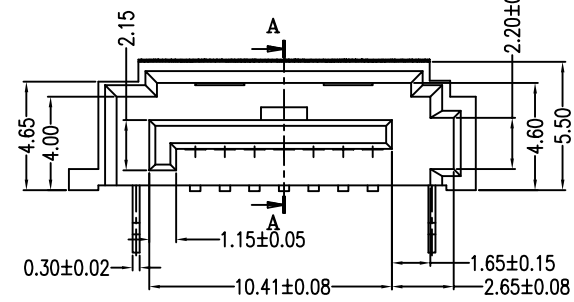
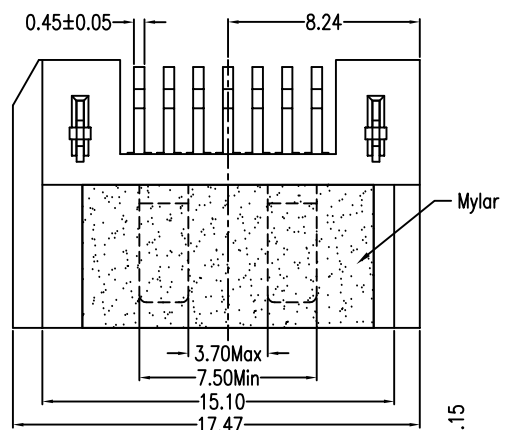
**\*Environmental**

Operating Temperature: -55°C to +85°C.

**\*How to Order:**

WATA-07DPLH 6 U  
 Blank:Black 6:Red 187C  
 U:Lead Free  
 Blank:With-Post N:Non-Post  
 6:Tape Reel  
 W:Winning Mark Blank:No Mark  
 H:Lie Semi Box Two Hole SMT Type  
 L:LCP  
 P:Phosphor Bronze  
 Au: A:>0.8u"; D:15u"; F:30u"  
 NO. of Contacts  
 Serial ATA for Card

Pin	SIGNAL NAME
S1	GND
S2	A+
S3	A-
S4	GND
S5	B-
S6	B+
S7	GND



P.C.B. LAYOUT(T=1.60mm)  
 COMPONENT SIDE

Units				mm		Scale		1:1		Drawing By		Data		WIN WIN PRECISION IND. CO., LTD.	
Tolerance Unless				Otherwise Specified		Reviewed By		Data		Date		Date		Title	
.X				~ ±0.35		LDF		07/27-'18		07/27-'18		1 of 1		Serial ATA 7P for Card Lie	
.XX				~ ±0.25		Approval By		Data		Date		Third Angle Projection		Semi Box Two Hole SMT Type(Mylar)	
.XXX				~ ±0.15		Nancy		08/02-'18		08/02-'18		Drawing No.		WATA-07PS-AN-W292	
Angle				~ ± 3°								REV		H	