

| REV. | ECN.NO. | DATE |
|------|------------------------------|-----------|
| A | RELEASED | 11/18/02 |
| F | Modify Operating Temperature | 03/07/12 |
| G | Improvement of tin and gum | 02/28-'19 |

Notes:

*Material

Housing: LCP, UL 94V-0 rated, Color: Black;
 Contact: Phosphor Bronze;
 Plating: Au Plating on Contact Area,
 Sn (100u" Min.) plating on solder tail
 Ni (40u" Min.) underplating overall.

Harpoon: Brass
 Plating: Sn(100u"mMin)Plating Over Ni(40u"Min)

*Mechanical

Insertion Force: 45N max.
 Withdrawal Force: 10N min.
 Durability: 500 cycles.

*Electrical Specification

Current Rating: 1.5 Ampere per contact;
 Contact Resistance: 30 Milliohms max.
 Insulation Resistance: 1000 megohms min.
 Dielectric Withstanding Voltage: 500 V AC.

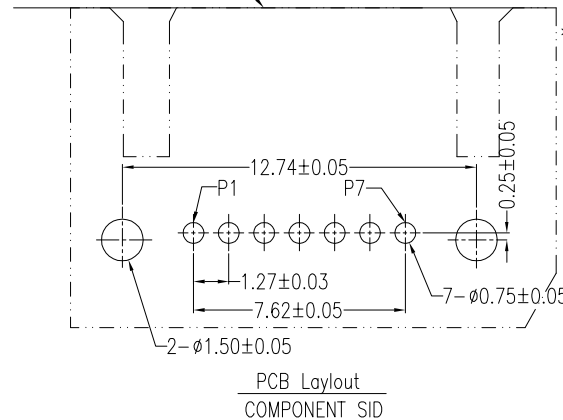
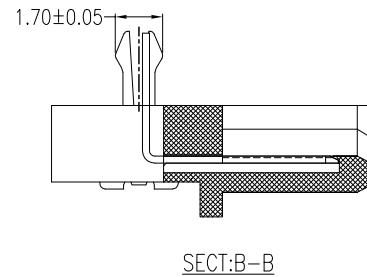
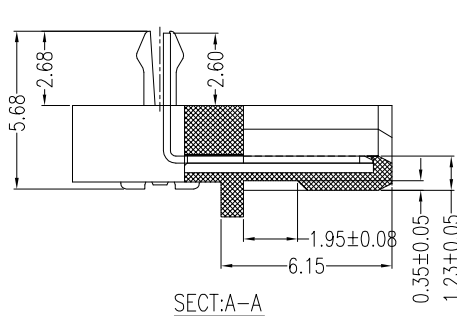
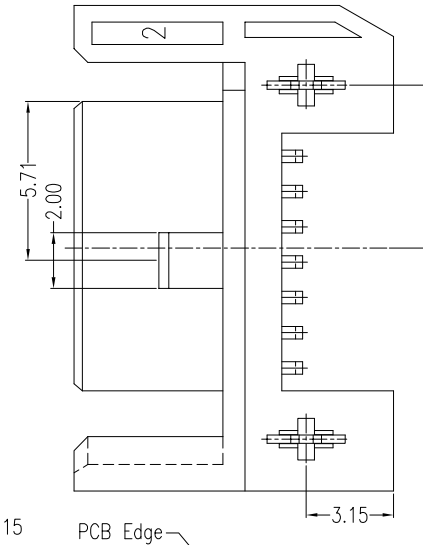
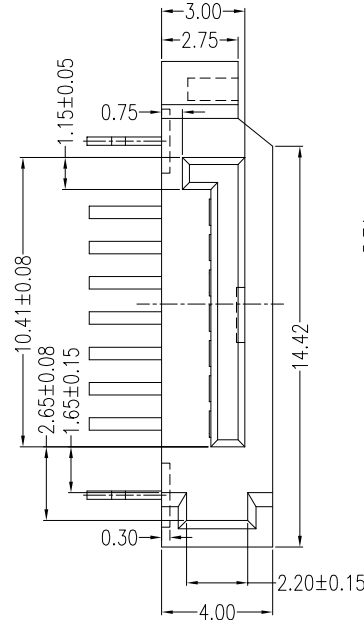
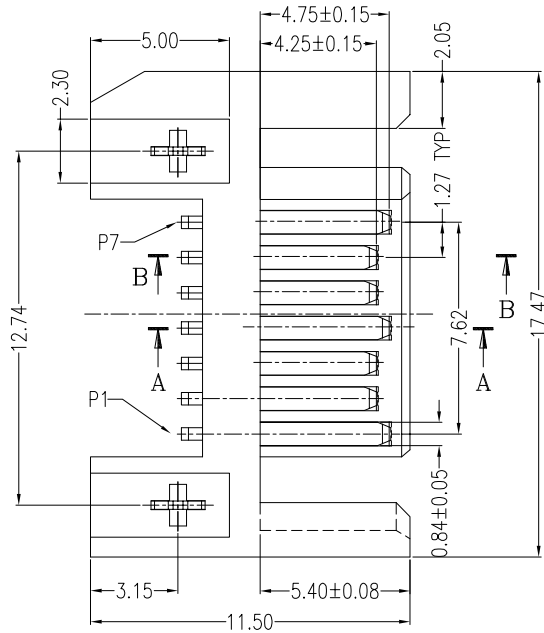
*Environmental

Operating Temperature: -55°C to +85°C

*How to order:

WATA-07DPL DS4 U

- 6: Red(187C)
- U: Lead Free
- 4: Tube
- W: WINNING MARK
- Blank: NO MARK
- DS:DIP Type
- N4:Nylon46 L:LCP
- Phosphor Bronze
- Au A:>0.8u" D: 15u" F:30u"
- Number of contacts
- Serial ATA for Card



REV Lmprovement of tin and gum;Lncrease Size: 2.30,5.00,0.30

| Units | mm | Scale | 3.5:1 |
|--------------------------------------|----|-------|-------|
| Tolerance Unless Otherwise Specified | | | |
| .X | ~ | ±0.35 | |
| .XX | ~ | ±0.25 | |
| .XXX | ~ | ±0.15 | |
| Angle | ~ | ± 3° | |

| Drawing By | Date | WIN WIN PRECISION IND. CO., LTD. | |
|-------------|-----------|----------------------------------|--------------------------------------|
| CXS | 02/28-'19 | TEL: 886-2-22994155 | FAX: 886-2-22994157 |
| Reviewed By | Date | Date 02/28-'19 | Title SATA 7 Pin (DIP Type) |
| LDF | 03/01-'19 | Sheet 1 of 1 | |
| Approval By | Date | Third Angle Projection | Drawing No. WATA-007MN-AN-N010 REV G |
| Nancy | 03/05-'19 | | |