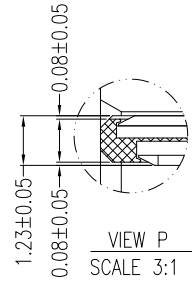
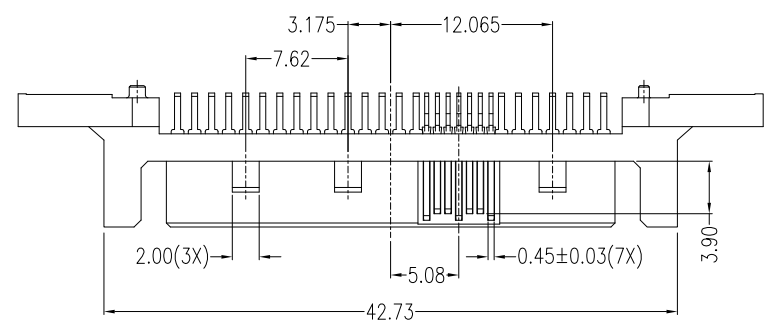


REV.	ECN.NO.	DATE
A	RELEASED	08/21/08
B	Add Tolerance Modify Notes	09/08/10



Signal Segment		Power Segment	
Pin NO.	Type	Pin NO.	Type
S1	GND	P1	V3.3
S2	A+	P2	V3.3
S3	A-	P3	V3.3
S4	GND	P4	GND
S5	B-	P5	GND
S6	B+	P6	GND
S7	GND	P7	V5
S8	GND	P8	V5
S9	A+	P9	V5
S10	A-	P10	GND
S11	GND	P11	DAS/DSS
S12	B-	P12	GND
S13	B+	P13	V12
S14	GND	P14	V12
		P15	V12

NOTES:

***Material**

Housing: LCP+50%G.F, UL 94V-0 rated, Color: Black;
 Contact: Brass;
 Plating:Gold plating on contact area,Tin(100u" min.) plating on solder tail,Nickel (40u" min.) underplating overall

***Mechanical**

Insertion Force: 25N max.
 Withdrawal Force: 5N min.
 Durability: 500 cycles

***Electrical Specification**

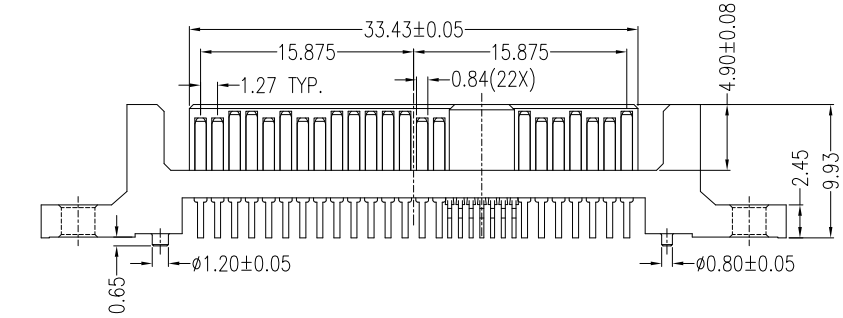
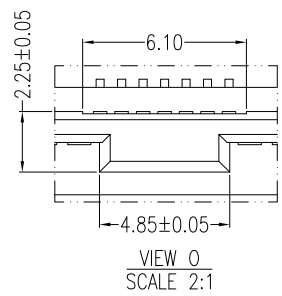
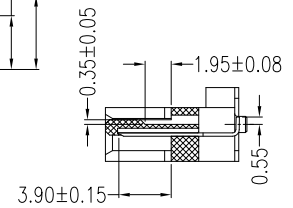
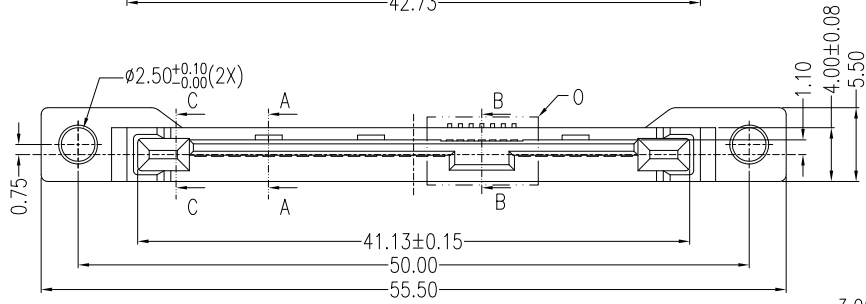
Current Rating: 1.5 Ampere per contact;
 Contact Resistance: 30 mΩ max.
 Insulation Resistance: 1000 MΩ min.
 Dielectric Withstanding Voltage: 500 VAC.

***Environmental**

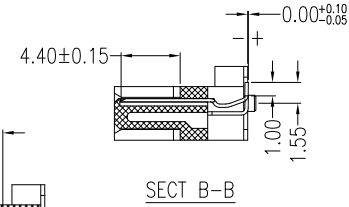
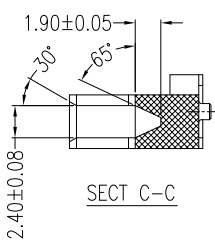
Operating Temperature: 0°C to +55°C

***How to order**

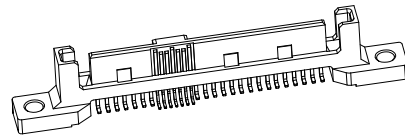
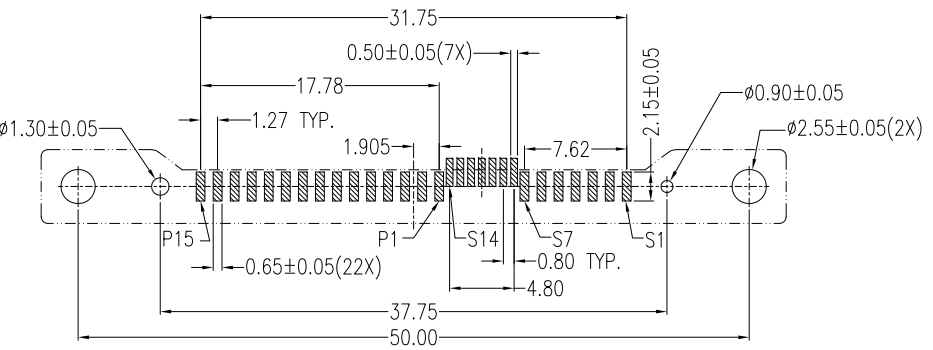
WSAM-29F7L1BU3
 3:Tray
 U:Lead Free
 P:Phosphor Bronze B:Brass
 1:Black
 L:LCP
 7:Screw Type(SMT)
 Gold A:Flash D:15u" F:30u"
 Number of Contacts
 Series No.



SECT A-A



SECT B-B



REV	1.Add Tolerance 2.Modify Notes		Drawing By		Date	WIN WIN PRECISION IND. CO., LTD	
Units	mm	Scale	2:1	Lulu	09/09/10	TEL: 886-2-22994155 FAX: 886-2-22994157	
Tolerance Unless Otherwise Specified			Reviewed By		Date	Date	09/08/10
.X ~ ±0.28			Rosh		09/09/10	Sheet	1 of 1
.XX ~ ±0.20			Approval By		Date	Title	
.XXX ~ ±0.15			Roger		09/09/10	SAS 29P Vertical SMT Screw Type Male	
Angle ~ ± 3°			Third Angle Projection		Drawing No. WSAM-29PS-AN-W242 REV B		

P.C.B LAYOUT(T=1.60mm)
COMPONENT SIDE