

REV.	ECN.NO.	DATE
A	RELEASED	01/08-'17
F	Improve Lower plate	06/30-'20
G	Modify molding structure	11/24-'21

**NOTES:**

**\*Material**

Housing: LCP, UL 94V-0 Rated. Color: Black.  
 Contact: Brass.  
 Plating: Au Plating On Contact Area;  
 Sn(100u" Min.) Plating On Solder Tail;  
 Ni(50u" Min.) Underplating Overall

**\*Mechanical**

Insertion Force: 1.15N Max per contact pair;  
 Withdrawal Force: 0.15N Min per contact pair;  
 Contact Retention Force: 3.5N Min per contact;  
 Durability: 50 cycles

**\*Electrical Specification**

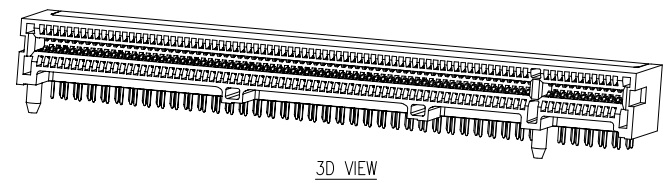
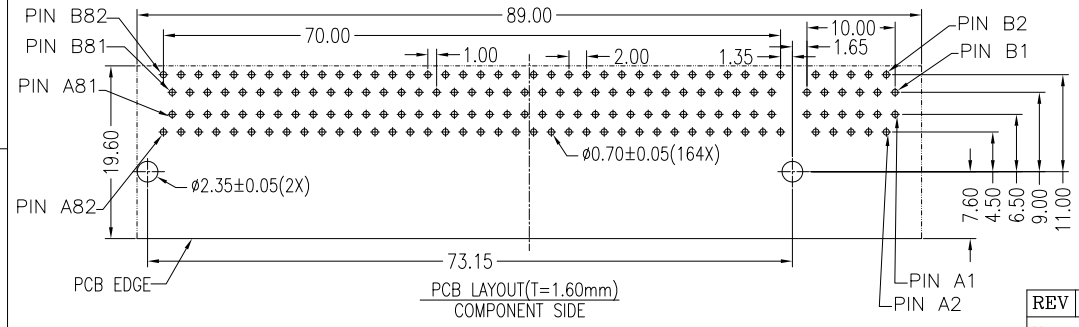
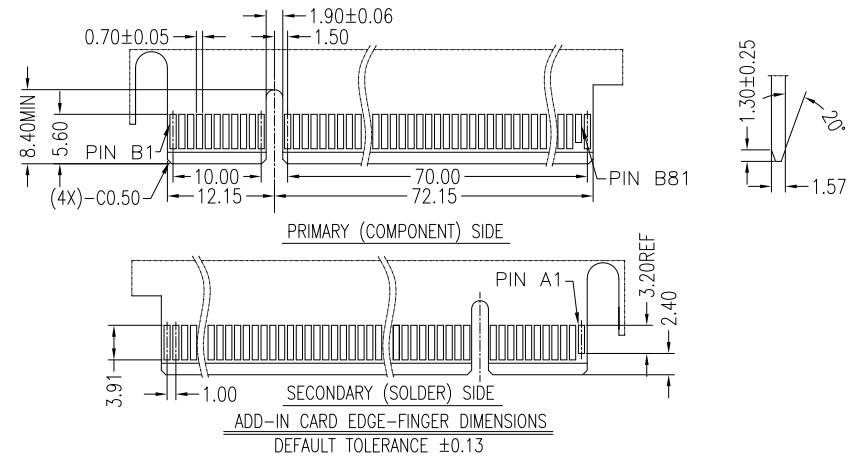
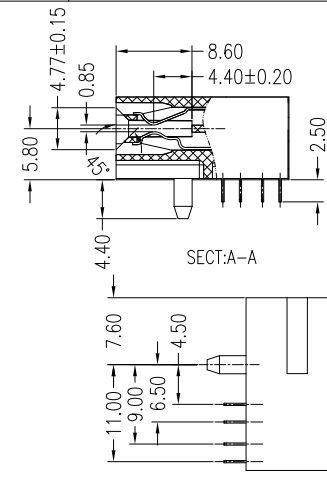
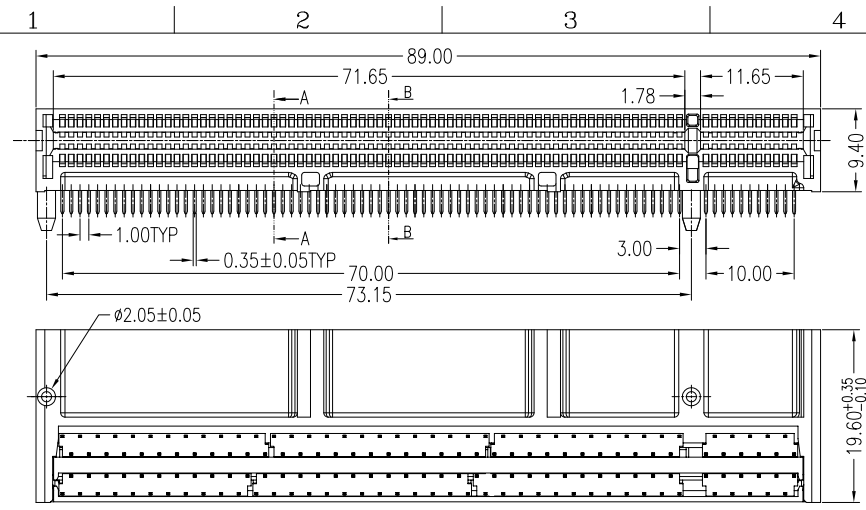
Current Rating : 1.1 Ampere  
 Contact Resistance : 30mΩ Max.  
 Insulation Resistance : 1000MΩ Min, At 500V AC.

**\*Environmental**

Operating Temperature : -55°C to +105°C

**\*How to Order:**

Series NO. WPRS-164AL1B7U  
 Number of Contacts \_\_\_\_\_  
 Au: A:1u" D:15u" F:30u" \_\_\_\_\_  
 L:LCP \_\_\_\_\_  
 1:Black \_\_\_\_\_  
 Blank:No Mark  
 W:Winning Mark  
 U:Lead Free  
 7:DIP 2.50(GEN3)(Right key)  
 B:Brass



REV G Modify molding structure				Drawing By		Date		WIN WIN PRECISION IND. CO., LTD.	
Units	mm	Scale	10:9	Lzx		11/24-'21	TEL: 886-2-22994155 FAX: 886-2-22994157		
Tolerance Unless Otherwise Specified				Reviewed By	Charles	11/24-'21	Date	11/24-'21	Title PCI EXPRESS R/A DIP TYPE (GEN3) 164PIN (Right key)
.X ~ ±0.35				Approval By	Nancy	11/30-'21	Sheet	1 of 1	
.XX ~ ±0.25				Third Angle Projection					
.XXX ~ ±0.15									
Angle ~ ± 3°									
Drawing No. WPRS-164PS-AN-NI92							REV	G	