

REV.	DESCRIPTION	DATE
A	RELEASED	07/07/04
G	Delete Stop production Spec	08/10-'20
H	Delete discontinued item No	04/12-'22

NOTES

***Material:**

Housing: Nylon46, UL 94V-0.
 Contacts: Brass.
 Plating: Au plating on contact area;
 Sn(100u" Min.) plating on solder tail;
 Ni(50u" Min.) underplating overall.

***Mechanical:**

Insertion Force: 1.15N max per contact pair;
 Withdrawal Force: 0.15N min per contact pair;
 Contact Retention Force: 3.43N min per contact;

***Electrical Specification**

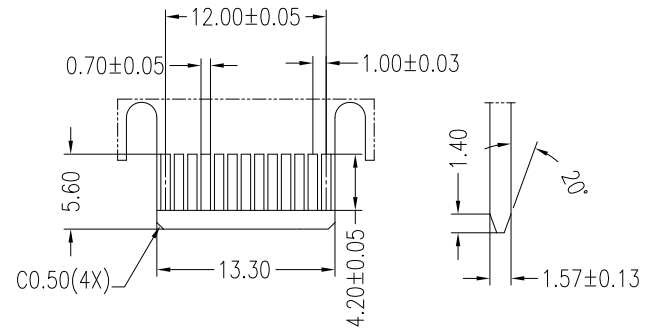
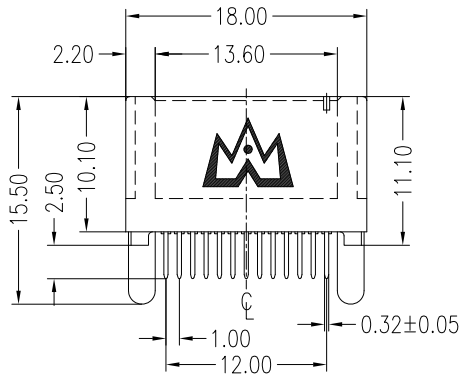
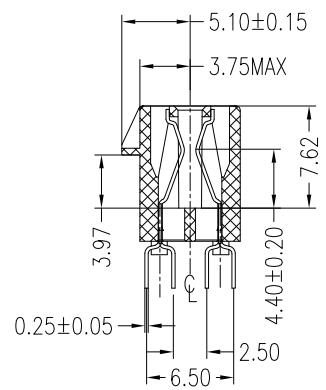
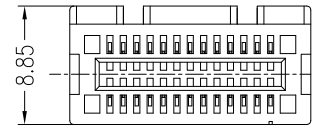
Current Rating: 1.1 Ampere;
 Contact Resistance: 30 mΩ max;
 Insulation Resistance: 1000 MΩ min;
 Dielectric Withstanding Voltage: 500 VAC.

***Environmental**

Operating Temperature: -55°C to +105°C

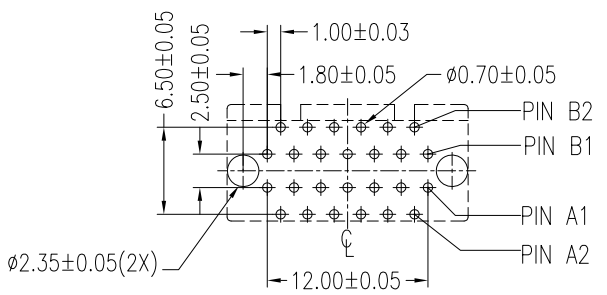
***How to order:**

Series NO. WPES-026AN41B22UWS
 Number of Contacts _____
 Gold A: >0.8u" _____
 N4: Nylon46 _____
 1: Black _____
 B: Brass _____
 S: Subtract _____
 W: Winning Mark _____
 Blank: No Mark _____
 U: Lead Free _____
 2: Plastic Posts _____
 2: Pin Length 2.5mm _____



PRIMARY (COMPONENT) SIDE

I/O PANEL DIRECTION



P.C.B LAYOUT
COMPONENT SIDE

REV.	Delete discontinued item No			Drawing By	Date	WIN WIN PRECISION IND. CO., LTD.		
	Units	mm	Scale	ZT	04/12-'22	TEL: 886-2-22994155	FAX: 886-2-22994157	
	Tolerance Unless Otherwise Specified			Reviewed By	Date	Date	Title PCI Express 26Pins Strip Form Pin (Plastic Post Type)	
	.X	~	±0.35	Charles	04/12-'22	04/12-'22		
	.XX	~	±0.25	Approval By	Date	Sheet		
	.XXX	~	±0.15	Nancy	04/20-'22	1 of 1		
	Angle	~	± 3°			Third Angle Projection	Drawing No. WPES-026PS-AN-W035	
							REV	H