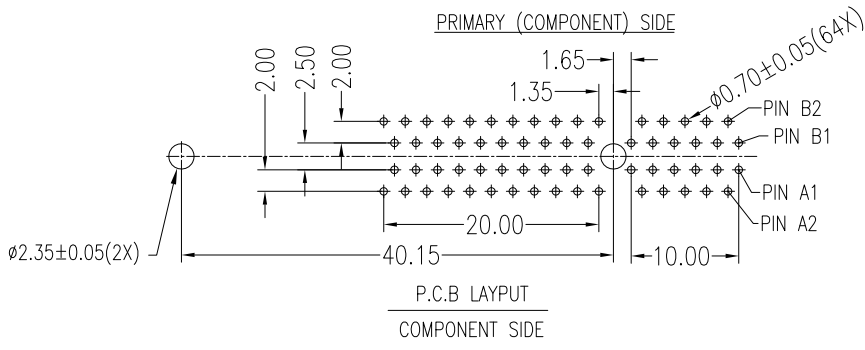
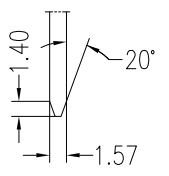
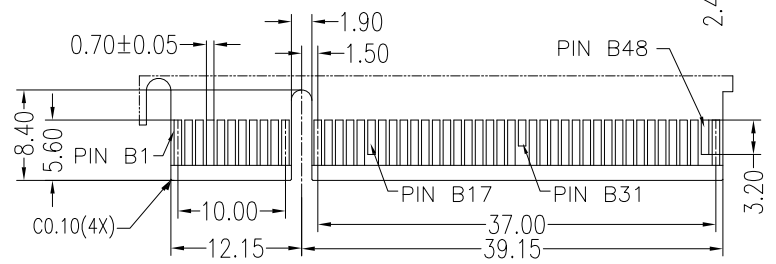
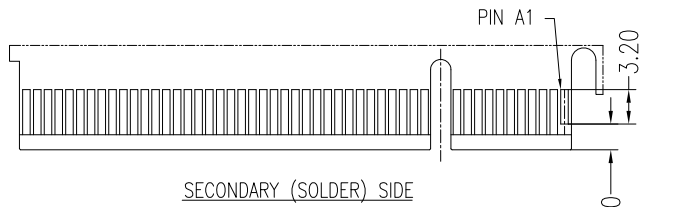
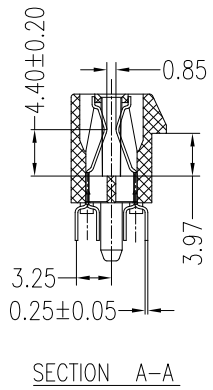
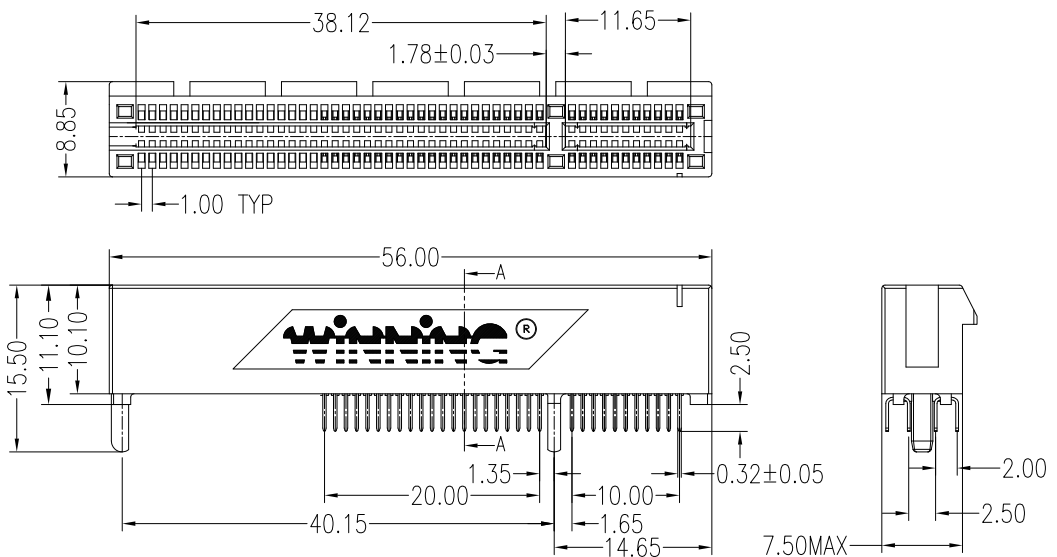


REV.	ECN.NO.	DATE
A	RELEASED	03/07-'23
B	Add color spec.	05/17-'23



Notes:

*Material

Body : Nylon46, UL 94V-0.
 Contacts : Brass.
 Plating: Au plating on contact area.
 Sn (100u" Min.) plating on solder tail.
 Ni (50u" Min.) underplating overall.

*Mechanical:

Insertion Force: 1.15N max per contact pair.
 Withdrawal Force: 0.15N min per contact pair.
 Contact Retention Force: 4.9N min per contact.

*Electrical Specification

Contact Resistance : 30mΩ Max.
 Current Rating : 1.1 Ampere.
 Insulation Resistance : 1000MΩ Min, At 500V AC.

*Environmental

Operating Temperature : -55°c to +105°c.

*How to order:

- WPEI-064DG3B22UW4E2
- 2: 098Pin Body
 - E: WPES Product
 - 4: WPES (Chip Type)
 - W: Winning Mark
 - U: Lead Free
 - 2: Plastic Posts
 - 2: Pin Length 2.5mm
 - B: Brass
 - 1: Black 3: White
 - G: Nylon46
 - Au: A: >0.8u" D: 15u" F: 30u"
 - Number of Contacts
 - Series NO.

REV Add color spec.1: Black.Adjust the View.							
Units	mm	Scale	8:5	Drawing By	Date	WIN WIN PRECISION IND. CO., LTD.	
Tolerance Unless Otherwise Specified				ZCC	05/17-'23	TEL: 886-2-22994155 FAX: 886-2-22994157	
.X	±	0.35		Reviewed By	Date	Date	05/17-'23
.XX	±	0.25		Charles	05/18-'23	Sheet	1 of 1
.XXX	±	0.15		Approval By	Date	Title	
Angle	±	3°		Nancy	05/23-'23	Third Angle Projection	PCI EXPRESS CONNECTOR 64P Imperfect Pin Type (Plastic Posts)
						Drawing No.	WPEI-064PS-AN-W247
						REV	B