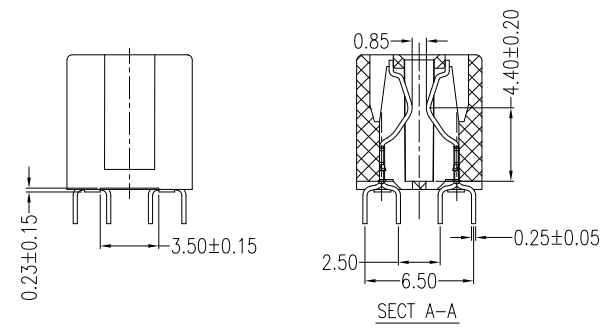
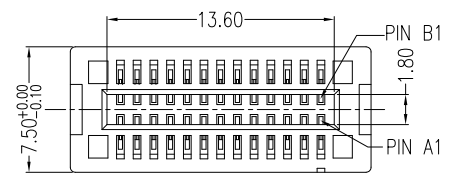


REV.	DESCRIPTION	DATE
A	RELEASED	06/18-'13
D	Modify insertion Force	09/21-'16
E	Modify Notes	05/25-'22



NOTES:

***Material**

Body: Nylon66, UL 94V-0.
 Contacts: Brass.
 Plating: Au Plating On Contact Area.
 Sn(100u" Min.) Plating On Solder Tail.
 Ni(40u" Min.) Underplating Overall.

***Mechanical**

Insertion Force: 2N max per contact pair.
 Withdrawal Force: 0.15N min per contact pair.
 Contact Retention Force: 4.9N min per contact.

***Electrical Specification**

Contact Resistance: 30mΩ Max.
 Current Rating: 1.1 Ampere.
 Insulation Resistance: 1000MΩ Min.
 Dielectric Withstanding Voltage: 500V AC.

***Environmental**

Operating Temperature: -55°C to +105°C.

***How To Order**

W3GS-026AN1B81H

Series NO. _____
 NO. of Contacts: 26P _____
 Au: A: >0.8u" D: 15u" F: 30u" _____
 N: Nylon66 _____

Blank: No Mark
 H: Halogen Free
 1: None Posts
 8: DIP(L=1.90mm)
 B: Brass
 1: Black

A

B

C

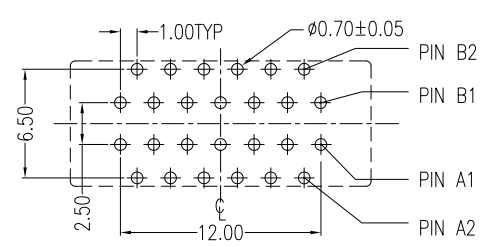
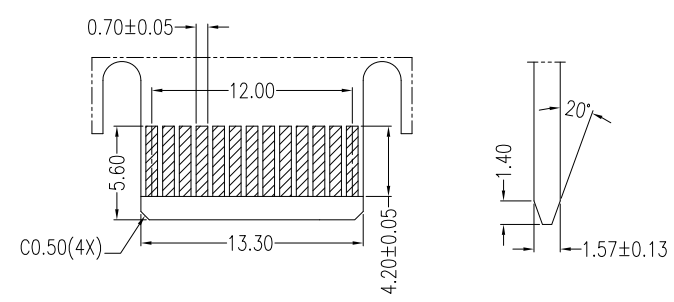
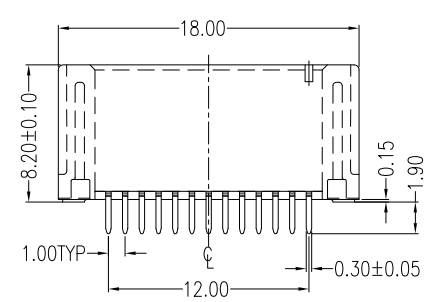
D

A

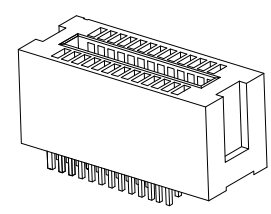
B

C

D



P.C.B LAYOUT(T=1.60mm)
COMPONENT SIDE



REV.	Modify Notes (Current Resistance : 1.1 Ampere → Current Rating : 1.1 Ampere)	Drawing By	Date	WIN WIN PRECISION IND. CO., LTD.	
		ZT	05/25-'22	TEL: 886-2-22994155 FAX: 886-2-22994157	
		Reviewed By	Date	Date	05/25-'22
		Charles	05/27-'22	Sheet	1 of 1
		Approval By	Date	Title	
		Nancy	06/13-'22	PCI Express 26Pins (1.90)	
		Third Angle Projection		Drawing No.	W3GS-26PS-AN-N177
				REV	E

1 2 3 4 5 6 7 8

1 2 3 4 5 6 7 8